

## Excellent Integrated System Limited

Stocking Distributor

Click to view price, real time Inventory, Delivery & Lifecycle Information:

[Molex Connector Corporation](#)  
[0731740260](#)

For any questions, you can email us directly:

[sales@integrated-circuit.com](mailto:sales@integrated-circuit.com)

MATERIALS AND FINISHES

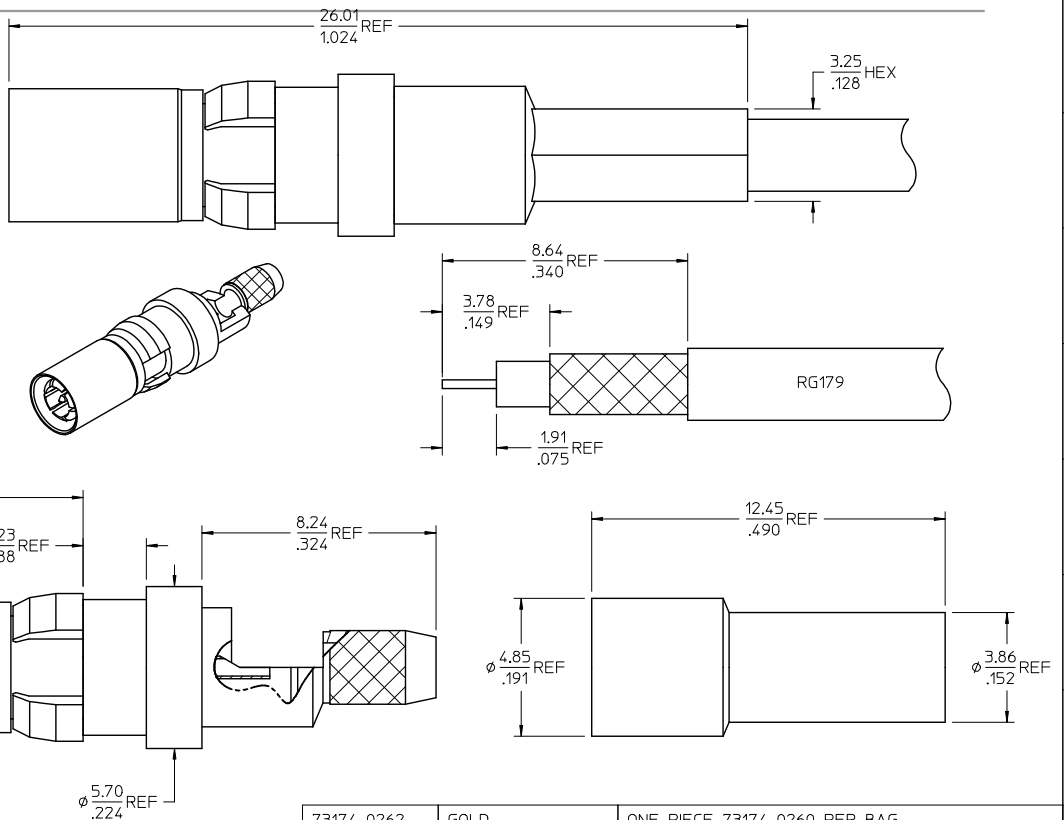
BODY, CRIMP TUBE, REAR BODY: BRASS  
PLATED SEE TABLE

OUTER CONTACT: BERYLLIUM COPPER  
PLATED GOLD

CONTACT: BRASS  
PLATED GOLD

INSULATOR: TEFLON

RETAINING CLIP: BERYLLIUM COPPER  
PLATED NICKEL



PS-89675-345	PRODUCT SPECIFICATION
DIN 41626	INTERFACE
SPECIFICATION	DESCRIPTION

73174-0262	GOLD	ONE PIECE 73174-0260 PER BAG
73174-0261	NICKEL	TRAY
73174-0260	GOLD	TRAY
ASSY NO.	FINISH	PACKAGING

CHG: ADDED  
PS-89675-345  
EWR RF-15-E006

EC NO: URF2015-0014  
DRAWN: CHENG 2014/07/14  
CHKD:  
APPR: YI CHENG

DESCRIPTION  
B4

QUALITY SYMBOLS	GENERAL TOLERANCES (UNLESS SPECIFIED)	DIMENSION STYLE	SCALE	DESIGN UNITS	THIRD ANGLE PROJECTION
▽=0	mm INCH	MM/IN	METRIC		
▽=0	4 PLACES ± --- ± ---	DRAWN BY	DATE	TITLE	
	3 PLACES ± --- ± ---	GMH	2003/09/05	DIN 41626 PLUG STR RG179	
	2 PLACES ± --- ± ---	CHECKED BY	DATE	75 OHM / 75 OHM EWR2210	
	1 PLACE ± --- ± ---	TEF	2003/09/05	1.0/2.3-PC	
	ANGULAR ± 2 °	APPROVED BY	DATE	MOLEX INCORPORATED	
		GMH	2003/09/05	MOLEX INCORPORATED	
DRAFT WHERE APPLICABLE MUST REMAIN WITHIN DIMENSIONS	SEE TABLE	MATERIAL NO.	DOCUMENT NO.	SHEET NO.	
			SD-73174-026	1 OF 1	
		THIS DRAWING CONTAINS INFORMATION THAT IS PROPRIETARY TO MOLEX INCORPORATED AND SHOULD NOT BE USED WITHOUT WRITTEN PERMISSION			