

## Excellent Integrated System Limited

Stocking Distributor

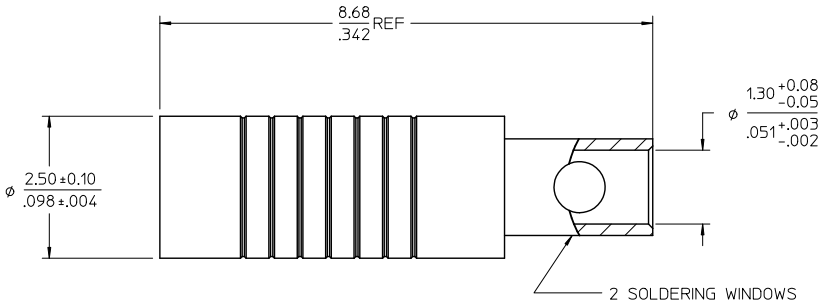
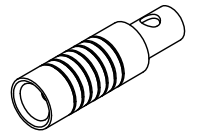
Click to view price, real time Inventory, Delivery & Lifecycle Information:

[Molex Connector Corporation](#)  
[0734154766](#)

For any questions, you can email us directly:  
[sales@integrated-circuit.com](mailto:sales@integrated-circuit.com)

MATERIALS AND FINISHES

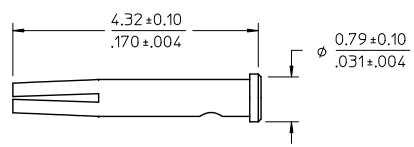
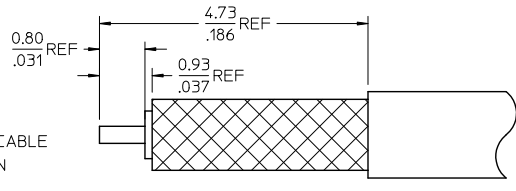
PART NO. 73415-4760/73415-4761 73415-4762/73415-4763 73415-4765	PART NO. 73415-4764
BODY BRASS PLATED:50u" MIN COPPER UNDERCOAT. 100~200u" NICKEL UNDERCOAT. 2u" MIN GOLD PLATING.	BODY BERYLLIUM COPPER PLATED TRI-METAL
CENTER CONTACT BERYLLIUM COPPER PLATED:10u" MIN GOLD PLATING	CENTER CONTACT BERYLLIUM COPPER PLATED GOLD
INSULATOR TEFLON	INSULATOR TEFLON



WITHSTAND 48HRS SALT SPRAY TEST

Note:

1. Part No.73415-4761 WITHOUT CONTACT PART
2. 73415-4762 WITH CUSTOMER REQUEST PACKAGE
3. Part No.73415-4763 USE PART NO.73415-4760 WITH 500PCS BY BAG



73415-4767	NON-MAGNETIC	1 PIECE 73415-4764 PER BAG
73415-4766	GENERAL TYPE	1 PIECE 73415-4760 PER BAG
73415-4765	GENERAL TYPE	SPECIFIC LABEL ON OUTER BOX
73415-4764	NON-MAGNETIC	500pcs BY ONE BAG
73415-4763	GENERAL TYPE	500pcs BY ONE BAG
73415-4762	GENERAL TYPE	SEE NOTE 2
73415-4761	GENERAL TYPE	SEE NOTE 1
73415-4760	GENERAL TYPE	1000pcs BY ONE BAG

PS-89675-0320	PRODUCT SPECIFICATION
SPECIFICATION	DESCRIPTION

CHG: PS WAS PS-73599-0220, DELETED AS. EC NO: URF2011-0430 2011/01/17 DRW: JLEEDZ 2011/01/17 CHK: JROSS 2011/01/17 APPR: JWENER 2011/01/17 C6	QUALITY SYMBOLS ▽=0 ▽=0	GENERAL TOLERANCES (UNLESS SPECIFIED) mm INCH 4 PLACES ± --- ± --- 3 PLACES ± --- ± --- 2 PLACES ± --- ± --- 1 PLACE ± --- ± --- ANGULAR ± 2 °	DIMENSION STYLE MM/IN DRAWN BY JLEE 2007/07/23 CHECKED BY TFLAHERTY 2007/07/23 APPROVED BY JWENER 2007/07/23	SCALE DESIGN UNITS METRIC THIRD ANGLE PROJECTION	TITLE SSMCX JACK, 50 OHM CABLE TYPE (.047, 1.3MM) SSMCX-JC
		MATERIAL NO. SEE TABLE	DOCUMENT NO. SD-73415-476	SHEET NO. 1 OF 1	
		DRAFT WHERE APPLICABLE MUST REMAIN WITHIN DIMENSIONS			
		THIS DRAWING CONTAINS INFORMATION THAT IS PROPRIETARY TO MOLEX INCORPORATED AND SHOULD NOT BE USED WITHOUT WRITTEN PERMISSION			