

## Excellent Integrated System Limited

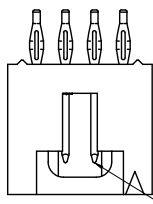
Stocking Distributor

Click to view price, real time Inventory, Delivery & Lifecycle Information:

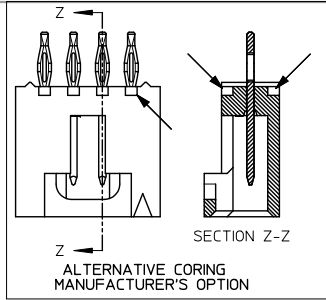
[Molex Connector Corporation](#)  
[0740950016](#)

For any questions, you can email us directly:

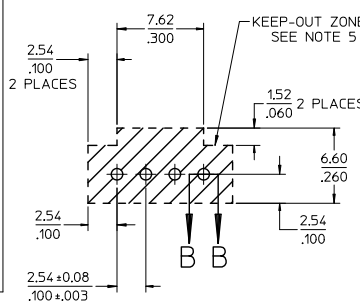
[sales@integrated-circuit.com](mailto:sales@integrated-circuit.com)



0.64/.025 SQUARE COMPLIANT PIN

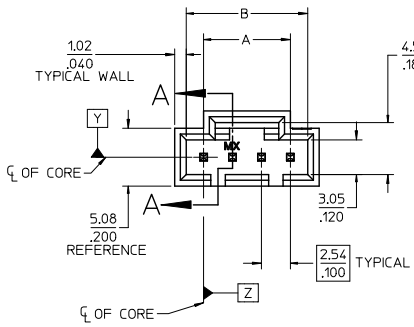


ALTERNATIVE CORING MANUFACTURER'S OPTION

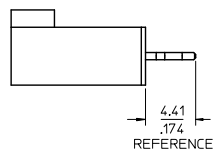


RECOMMENDED PC BOARD LAYOUT FOR USE WITH 2.36/.093 THICK BOARD

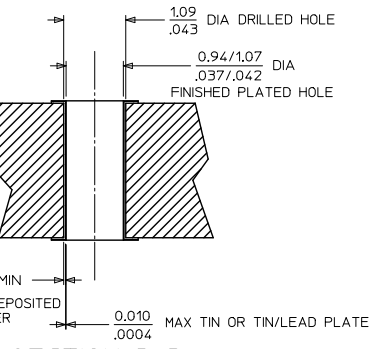
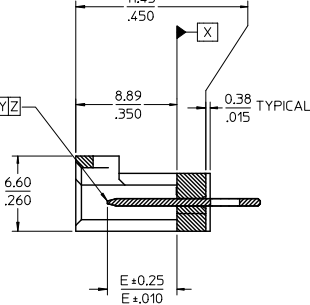
CKT SIZE	DIM A		DIM B	
	MM	IN.	MM	IN.
3	5.08	.200	8.13	.320
4	7.62	.300	10.67	.420
5	10.16	.400	13.21	.520
6	12.70	.500	15.75	.620
7	15.24	.600	18.29	.720
8	17.78	.700	20.83	.820
9	20.32	.800	23.37	.920
10	22.86	.900	25.91	1.020
11	25.40	1.000	28.45	1.120
12	27.94	1.100	30.99	1.220
13	30.48	1.200	33.53	1.320
14	33.02	1.300	36.07	1.420
15	35.56	1.400	38.61	1.520
16	38.10	1.500	41.15	1.620
17	40.64	1.600	43.69	1.720
18	43.18	1.700	46.23	1.820
19	45.72	1.800	48.77	1.920
20	48.26	1.900	51.31	2.020
21	50.80	2.000	53.85	2.120
22	53.34	2.100	56.39	2.220
23	55.88	2.200	58.93	2.320
24	58.42	2.300	61.47	2.420
25	60.96	2.400	64.01	2.520



SECTION A-A



AT PIN TIP TYPICAL



SECTION B-B SCALE: 20/1

- NOTES:
- MATERIAL: HOUSING: GLASS FILLED POLYESTER, UL94V-0, COLOR - BLACK. PINS: COPPER ALLOY.
  - FINISH:
    - 30 GOLD & TIN: 0.76 MICROMETERS/30 MICROINCHES MINIMUM SELECT GOLD 2.54 MICROMETERS/100 MICROINCHES MINIMUM SELECT TIN OVER NICKEL UNDERPLATE OVERALL
    - 15 GOLD & TIN: 0.38 MICROMETERS/15 MICROINCHES MINIMUM SELECT GOLD 2.54 MICROMETERS/100 MICROINCHES MINIMUM SELECT TIN OVER NICKEL UNDERPLATE OVERALL
    - TIN: 5.08 MICROMETERS/200 MICROINCHES MINIMUM TIN OVER NICKEL UNDERPLATE OVERALL
  - PRODUCT SPECIFICATION: PS-74095-001
  - PACKAGING SPECIFICATION: PK-70873-0014
  - NO FEATURES WHICH RISE ABOVE THE PCB SURFACE ALLOWED IN THIS AREA
  - THIS PART CONFORMS TO MOLEX COSMETIC SPECIFICATION: PS-45992-002 CLASS C

3 CIRCUIT

ADD PART NUMBERS EC NO: UCP-2015-3127 DRAWN BY: DRWINDORGAN 2013/01/23 CHKD BY: CHKBARKER 2013/01/23 APPR: SMILLER 2013/02/18 REV	QUALITY SYMBOLS ∇=0 ∇=0 ∇=0	GENERAL TOLERANCES (UNLESS SPECIFIED)		DIMENSION STYLE		SCALE	DESIGN UNITS	THIRD ANGLE PROJECTION	
				MM/IN		4:1	INCH		
				DATE		TITLE			
				DATE		SALES ASSY, SL VERTICAL HEADER W/COMPLIANT PIN NO PEGS			
		DATE		DATE		molex			
		DATE		DATE		SD-74095-001			
		DATE		DATE		SHEET NO. 1 OF 2			
		DATE		DATE		THIS DRAWING CONTAINS INFORMATION THAT IS PROPRIETARY TO MOLEX INCORPORATED AND SHOULD NOT BE USED WITHOUT WRITTEN PERMISSION			

CIRCUIT SIZE	ITEM NUMBER 74095	DIM E	PLATING SEE NOTE 6	MATING END PLATING	PC BOARD END PLATING
				TYPE	TYPE
3-25	-0003 TO -0025	7.49 .295	TIN	TIN	TIN
3-25	-0033 TO -0055	7.49 .295	15 GOLD	GOLD	TIN (PREVIOUSLY TIN/LEAD)
3-25	-0063 TO -0085	7.49 .295	30 GOLD	GOLD	TIN (PREVIOUSLY TIN/LEAD)
3-25	-1033 TO -1055	7.49 .295	15 GOLD	GOLD	TIN
3-25	-1063 TO -1085	7.49 .295	30 GOLD	GOLD	TIN

CIRCUIT SIZE	ASSEMBLY ITEM NUMBER	ASSEMBLY ITEM NUMBER	ASSEMBLY ITEM NUMBER	ASSEMBLY ITEM NUMBER	ASSEMBLY ITEM NUMBER	ASSEMBLY ITEM NUMBER
3	74095-0003	74095-0033	74095-0063	74095-1033	74095-1063	
4	74095-0004	74095-0034	74095-0064	74095-1034	74095-1064	
5	74095-0005	74095-0035	74095-0065	74095-1035	74095-1065	
6	74095-0006	74095-0036	74095-0066	74095-1036	74095-1066	
7	74095-0007	74095-0037	74095-0067	74095-1037	74095-1067	
8	74095-0008	74095-0038	74095-0068	74095-1038	74095-1068	
9	74095-0009	74095-0039	74095-0069	74095-1039	74095-1069	
10	74095-0010	74095-0040	74095-0070	74095-1040	74095-1070	
11	74095-0011	74095-0041	74095-0071	74095-1041	74095-1071	
12	74095-0012	74095-0042	74095-0072	74095-1042	74095-1072	
13	74095-0013	74095-0043	74095-0073	74095-1043	74095-1073	
14	74095-0014	74095-0044	74095-0074	74095-1044	74095-1074	
15	74095-0015	74095-0045	74095-0075	74095-1045	74095-1075	
16	74095-0016	74095-0046	74095-0076	74095-1046	74095-1076	
17	74095-0017	74095-0047	74095-0077	74095-1047	74095-1077	
18	74095-0018	74095-0048	74095-0078	74095-1048	74095-1078	
19	74095-0019	74095-0049	74095-0079	74095-1049	74095-1079	
20	74095-0020	74095-0050	74095-0080	74095-1050	74095-1080	
21	74095-0021	74095-0051	74095-0081	74095-1051	74095-1081	
22	74095-0022	74095-0052	74095-0082	74095-1052	74095-1082	
23	74095-0023	74095-0053	74095-0083	74095-1053	74095-1083	
24	74095-0024	74095-0054	74095-0084	74095-1054	74095-1084	
25	74095-0025	74095-0055	74095-0085	74095-1055	74095-1085	

SEE SHEET 1 EC NO: UCP2019-3127 DRW: DMORGAN 2013/01/29 CHK: BARKER 2013/01/29 APPR: MILLER 2013/02/18	QUALITY SYMBOLS ∇=0 ∇=0 ∇=0	GENERAL TOLERANCES (UNLESS SPECIFIED)		DIMENSION STYLE		SCALE	DESIGN UNITS	THIRD ANGLE PROJECTION
				MM/IN		1:1	INCH	SALES ASSY, SL VERTICAL HEADER W/COMPLIANT PIN NO PEGS 
				DRAWN BY DATE				
				CHECKED BY DATE				
		APPROVED BY DATE						
		ANGULAR ±1/2°		MATERIAL NO.		DOCUMENT NO.		SHEET NO.
		DRAFT WHERE APPLICABLE MUST REMAIN WITHIN DIMENSIONS		SEE TABLE		SD-74095-001		2 OF 2
				C		THIS DRAWING CONTAINS INFORMATION THAT IS PROPRIETARY TO MOLEX INCORPORATED AND SHOULD NOT BE USED WITHOUT WRITTEN PERMISSION		