

Excellent Integrated System Limited

Stocking Distributor

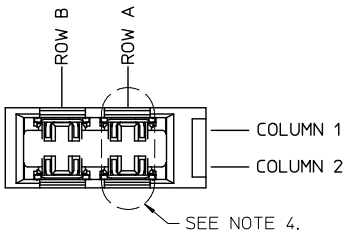
Click to view price, real time Inventory, Delivery & Lifecycle Information:

[Molex Connector Corporation](#)
[0754921053](#)

For any questions, you can email us directly:

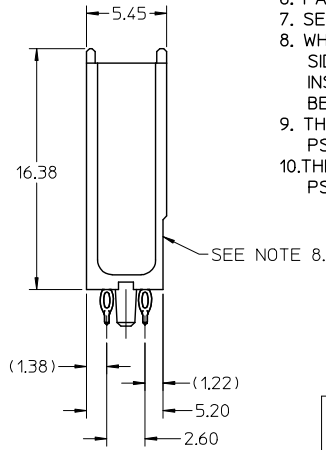
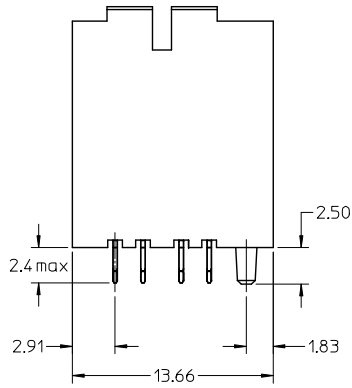
sales@integrated-circuit.com

10 9 8 7 6 5 4 3 2 1

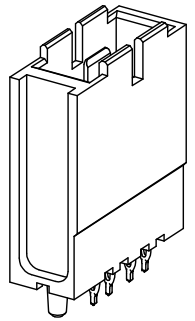


NOTES:

1. MATERIALS: HOUSING - LIQUID CRYSTAL POLYMER (LCP), UL 94V-0, GRAY; CONTACT - COPPER ALLOY
2. FINISH: SELECT GOLD IN CONTACT AREA, 50 MICROINCH THICK, MATTE TIN IN COMPLIANT AREA.
3. PACKAGING PER PK-70873-578.
4. CONTACTS IN EACH ROW HAVE THE SAME WIPE LENGTH.
5. BACKPLANE ASSEMBLY MATES WITH DAUGHTERCARD POWER MODULE 75292-2***.
6. PART SHOWN IS 75492-1067.
7. SEE OTHER SHEETS FOR ADDITIONAL NOTES.
8. WHEN INSERTING OPEN SIGNAL MODULES NEXT TO COLUMN 1 SIDE OF POWER MODULES, SIGNAL MODULES MUST BE INSERTED BEFORE THE POWERS TO AVOID INTERFERENCE BETWEEN THE TWO CONNECTOR HOUSINGS.
9. THESE PARTS CONFORM TO MOLEX PRODUCT SPECIFICATION PS-75221-999.
10. THESE PARTS CONFORM TO MOLEX COSMETIC SPECIFICATION PS-45499-002 CLASS B.



THE PRIMARY CARTON WITH A LABEL STATING "ELV AND RoHS COMPLIANT" IS LEAD FREE. CARTONS WITHOUT THIS LABEL MAY CONTAIN LEAD.



1-UP ASSEMBLY PART NUMBER

7 5 4 9 2 - 1 0 A B

- MATTE TIN (FORMERLY TIN/LEAD) PLATED PRODUCT -

FOR EACH ROW LOCATION A, B:

4 = 4.5 mm

6 = 6.0 mm

7 = 7.5 mm

- MATTE TIN PLATED PRODUCT -

FOR EACH ROW LOCATION A, B:

2 = 4.5 mm

3 = 6.0 mm

5 = 7.5 mm

SEE SHEET 4 FOR HOLE PATTERN LAYOUT

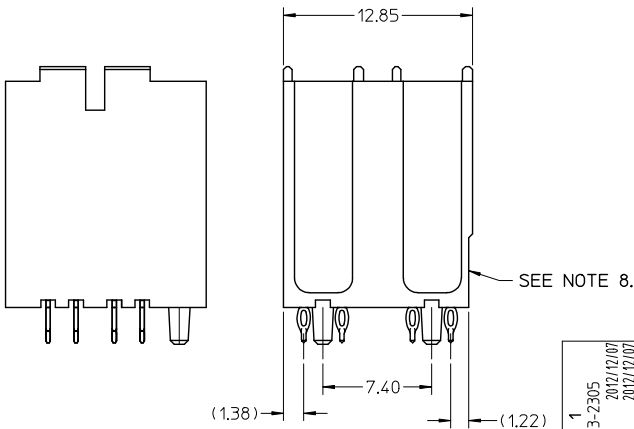
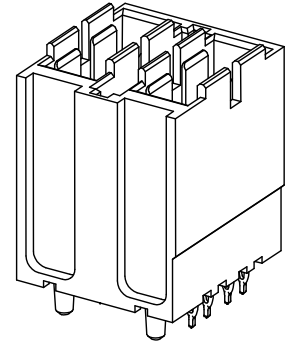
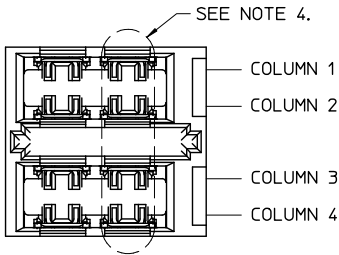
LEAD FREE CONVERSION EC NO: UCP2013-2305 DR: WIRTHLE 2012/12/07 CHK: KIMOLFE 2012/12/07 APPR: SKILLER 2012/12/17	QUALITY SYMBOLS $\nabla=0$ $\nabla=0$ $\nabla=0$	GENERAL TOLERANCES (UNLESS SPECIFIED)		DIMENSION STYLE		SCALE	DESIGN UNITS	THIRD ANGLE PROJECTION			
				MM ONLY		4:1	METRIC				
				mm	INCH	DRAWN BY	DATE	TITLE			
				±	±	ELO	2005/07/01	GBX 2 PAIR BACKPLANE POWER SALES ASSEMBLY			
D REV	DESCRIPTION	4 PLACES	±	±	CHECKED BY	DATE					
		3 PLACES	±	±	ELO	2005/07/01					
		2 PLACES	±	0.13	±	APPROVED BY	DATE	DOCUMENT NO. SD-75492-001 SHEET NO. 1 OF 4			
		1 PLACE	±	0.25	±	JB INGHAM	2010/09/20	MATERIAL NO. SEE CHART			
		0 PLACE	±	±	DRAFT WHERE APPLICABLE MUST REMAIN WITHIN DIMENSIONS						
		ANGULAR ± 5°		THIS DRAWING CONTAINS INFORMATION THAT IS PROPRIETARY TO MOLEX INCORPORATED AND SHOULD NOT BE USED WITHOUT WRITTEN PERMISSION							
		SIZE B									

9 8 7 6 5 4 3 2 1

2-UP ASSEMBLY PART NUMBER

7 5 4 9 2 - 2 0 A B

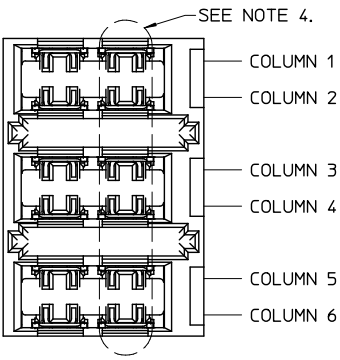
- MATTE TIN (FORMERLY TIN/LEAD) PLATED PRODUCT -
FOR EACH ROW LOCATION A, B:
4 = 4.5 mm
6 = 6.0 mm
7 = 7.5 mm
- MATTE TIN PLATED PRODUCT -
FOR EACH ROW LOCATION A, B:
2 = 4.5 mm
3 = 6.0 mm
5 = 7.5 mm



SEE SHEET 1 FOR ADDITIONAL INFORMATION
CHECK WITH PRODUCT MANAGER FOR AVAILABILITY

SEE SHEET 1 EC NO: UCP2013-2305 DRAWN BY: DRWINHIPPLE CHK: CHKMOLLE APPR: SMILLER 2012/12/07 2012/12/07 2012/12/17	QUALITY SYMBOLS $\nabla=0$ $\nabla=0$ $\nabla=0$	GENERAL TOLERANCES (UNLESS SPECIFIED) mm INCH 4 PLACES ± --- ± --- 3 PLACES ± --- ± --- 2 PLACES ± 0.13 ± --- 1 PLACE ± 0.25 ± --- 0 PLACE ± ±	DIMENSION STYLE MM ONLY DRAWN BY: ELO DATE: 2005/07/01 CHECKED BY: ELO DATE: 2005/07/01 APPROVED BY: JB INGHAM DATE: 2010/09/20	SCALE 4:1 DESIGN UNITS METRIC THIRD ANGLE PROJECTION	TITLE GBX 2 PAIR BACKPLANE POWER SALES ASSEMBLY molex MATERIAL NO. SEE CHART DOCUMENT NO. SD-75492-001	SHEET NO. 2 OF 4
	DRAFT WHERE APPLICABLE MUST REMAIN WITHIN DIMENSIONS	THIS DRAWING CONTAINS INFORMATION THAT IS PROPRIETARY TO MOLEX INCORPORATED AND SHOULD NOT BE USED WITHOUT WRITTEN PERMISSION				

10 | 9 | 8 | 7 | 6 | 5 | 4 | 3 | 2 | 1



3-UP ASSEMBLY PART NUMBER

7 5 4 9 2 - 3 0 A B

- MATTE TIN (FORMERLY TIN/LEAD) PLATED PRODUCT -
FOR EACH ROW LOCATION A, B:

4 = 4.5 mm

6 = 6.0 mm

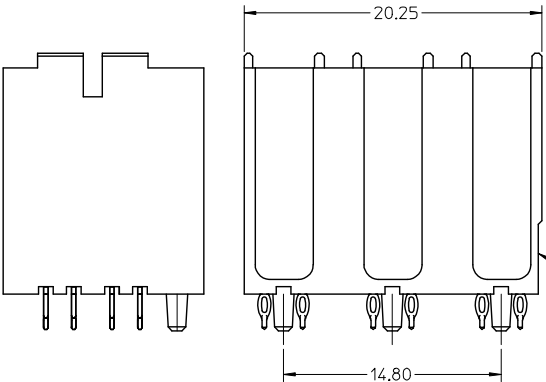
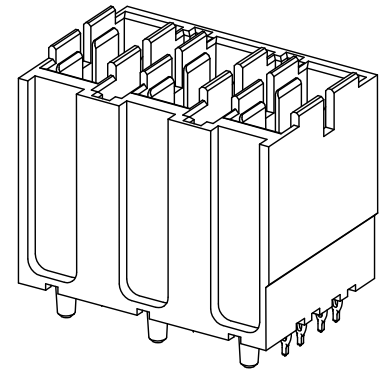
7 = 7.5 mm

- MATTE TIN PLATED PRODUCT -
FOR EACH ROW LOCATION A, B:

2 = 4.5 mm

3 = 6.0 mm

5 = 7.5 mm



SEE SHEET 1 FOR ADDITIONAL INFORMATION
CHECK WITH PRODUCT MANAGER FOR AVAILABILITY

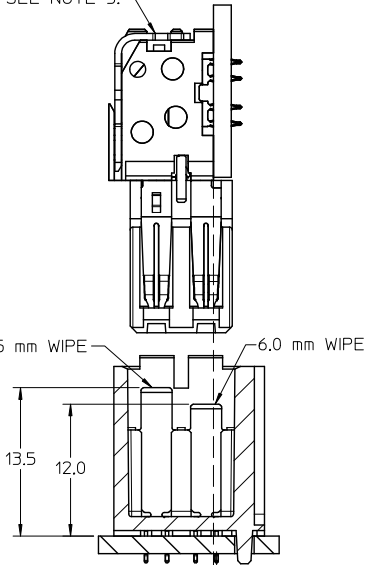
SEE SHEET 1 EC NO: UCP2013-2305 DRAWN BY: DRWINHUPPLE 2012/12/07 CHECKED BY: CHUCKWOLFE 2012/12/07 APPROVED BY: APPR:SMILLER 2012/12/17 REV: D	QUALITY SYMBOLS	GENERAL TOLERANCES (UNLESS SPECIFIED)		DIMENSION STYLE MM ONLY		SCALE 4:1	DESIGN UNITS METRIC	THIRD ANGLE PROJECTION
	▽=0	4 PLACES	±	---	±	---	DRAWN BY ELO	DATE 2005/07/01
	▽=0	3 PLACES	±	---	±	---	CHECKED BY ELO	DATE 2005/07/01
	▽=0	2 PLACES	±	0.13	±	---	APPROVED BY JBINGHAM	DATE 2010/09/20
		1 PLACE	±	0.25	±	---		
		0 PLACE	±		±			
		ANGULAR ± 5°		MATERIAL NO.		DOCUMENT NO.		SHEET NO.
		DRAFT WHERE APPLICABLE MUST REMAIN WITHIN DIMENSIONS		SEE CHART		SD-75492-001		3 OF 4
		THIS DRAWING CONTAINS INFORMATION THAT IS PROPRIETARY TO MOLEX INCORPORATED AND SHOULD NOT BE USED WITHOUT WRITTEN PERMISSION						

9 | 8 | 7 | 6 | 5 | 4 | 3 | 2 | 1

HOLE PATTERN FOR 1-UP ASSEMBLY

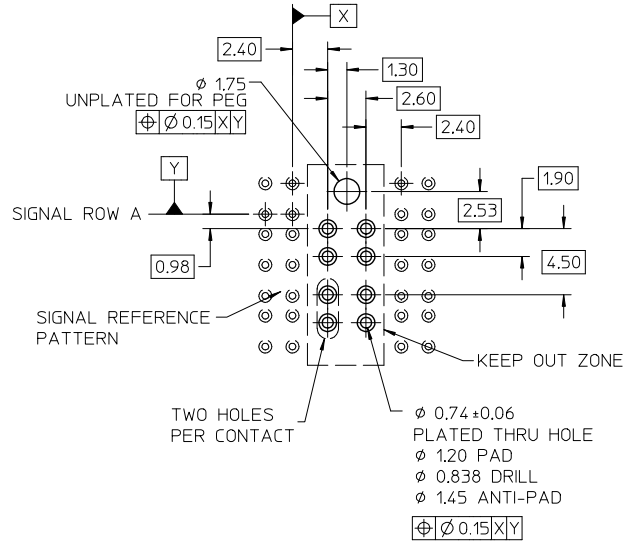
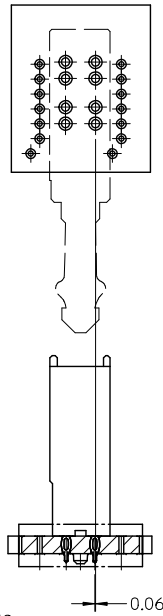
- 1.) ADD 7.40 FROM CENTERLINES OF PEG FOR MULTIPLE UP ASSEMBLIES
- 2.) USE 5.55 FROM CENTERLINE TO CENTERLINE OF PEG FOR INDIVIDUAL POWER MODULES STACKED NEXT TO EACH OTHER.

SEE NOTE 5.



SEE NOTE 6.

0.27
DC BOARD EDGE TO
CENTERLINE OF BP TAIL



SEE SHEET 1 EC NO: UC2013-2305 DRAWN BY: 2012/12/07 CHYKIMOLLE APPROVED BY: 2012/12/17 APPR:SMILLER	QUALITY SYMBOLS	GENERAL TOLERANCES (UNLESS SPECIFIED)		DIMENSION STYLE		SCALE	DESIGN UNITS	THIRD ANGLE PROJECTION
	▽=0	mm	INCH	MM ONLY		4:1	METRIC	
	▽=0	4 PLACES ± ---	± ---	DRAWN BY	DATE	TITLE GBX 2 PAIR BACKPLANE POWER SALES ASSEMBLY		
	▽=0	3 PLACES ± ---	± ---	ELO	2005/07/01			
▽=0	2 PLACES ± 0.13	± ---	CHECKED BY	DATE	molex DOCUMENT NO. SD-75492-001			
▽=0	1 PLACE ± 0.25	± ---	ELO	2005/07/01				
▽=0	0 PLACE ±	±	APPROVED BY	DATE	SHEET NO. 4 OF 4			
	ANGULAR ± 5°		JB INGHAM	2010/09/20				
	DRAFT WHERE APPLICABLE MUST REMAIN WITHIN DIMENSIONS			MATERIAL NO.				
				SIZE	THIS DRAWING CONTAINS INFORMATION THAT IS PROPRIETARY TO MOLEX INCORPORATED AND SHOULD NOT BE USED WITHOUT WRITTEN PERMISSION			