

Excellent Integrated System Limited

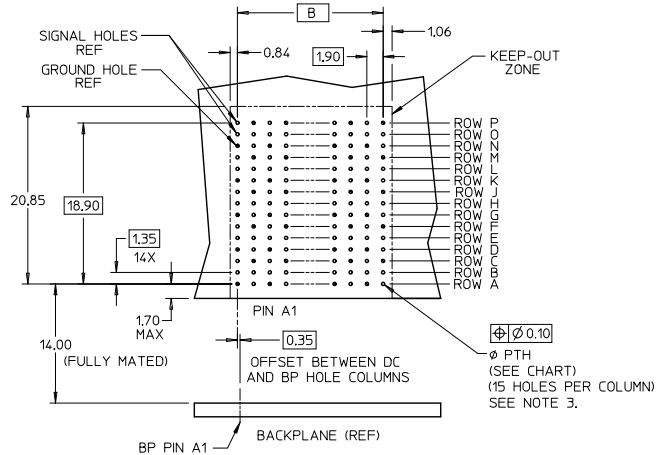
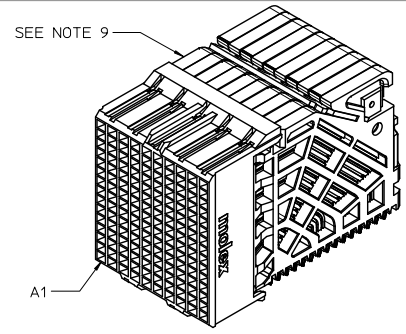
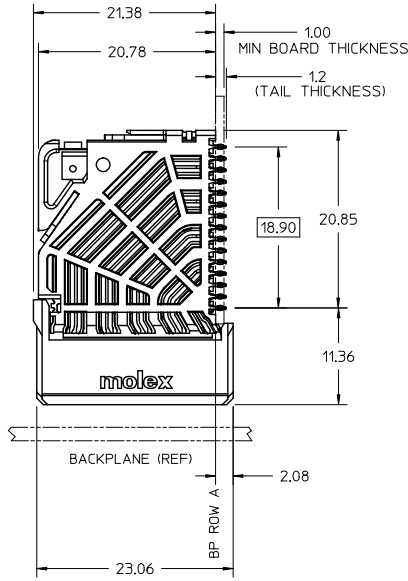
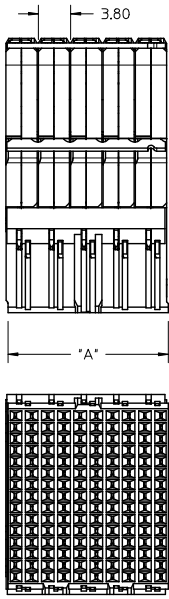
Stocking Distributor

Click to view price, real time Inventory, Delivery & Lifecycle Information:

[Molex Connector Corporation](#)
[0760601016](#)

For any questions, you can email us directly:

sales@integrated-circuit.com



NOTES:

1. MATERIALS: HOUSING - LIQUID CRYSTAL POLYMER (LCP), GLASS-FILLED, UL94V-0
TERMINALS - HIGH PERFORMANCE COPPER ALLOY
2. FINISH: 30μN MIN GOLD IN CONTACT AREA, SELECTIVE TIN ON PCB TAILS, NICKEL OVERALL.
3. REFER TO MOLEX PRODUCT SPEC PS-76060-999 FOR PERFORMANCE SPECIFICATIONS AND ADDITIONAL PCB INFORMATION.
4. EACH SIGNAL WAFER CONTAINS 2 COLUMNS OF TERMINALS.
5. PRODUCT IS PACKAGED PER PK-70873-611.
6. THIS PART CONFORMS TO CLASS B REQUIREMENTS OF COSMETIC SPEC PS-45499-002.
7. REFER TO MOLEX SALES DRAWING SD-76055-001 FOR THE MATING HEADERS.
8. REFER TO MOLEX PCB MOUNTING GUIDE AS-76060-990 FOR ANTIPAD AND ROUTING RECOMMENDATIONS.
9. PART NUMBER 76060-1020 SHOWN ON DRAWING. KEYING FEATURES WILL CHANGE WITH COLUMN SIZE.
10. MINIMUM BOARD THICKNESS IS 1.00 mm FOR COMPLIANT PIN FUNCTIONALITY.

DAUGHTERCARD HOLE PATTERN (CONNECTOR SIDE)

LCP TO ENHANCED EC NO: UCP2015-316 DRAWN: JGONZALEZ01 2015/02/04 CHKD: TEL0 APPR: TEL0 2015/02/09	QUALITY SYMBOLS ▽=0 ▽=0 ▽=0	GENERAL TOLERANCES (UNLESS SPECIFIED)		DIMENSION STYLE MM ONLY		SCALE 3:1	DESIGN UNITS METRIC	THIRD ANGLE PROJECTION
		mm	INCH	DRAWN BY JLAURX	DATE 2008/06/10	TITLE IMPACT 100 OHM DC 5 PAIR SIGNAL MODULE UNGUIDED SALES DRAWING		
		4 PLACES ±	---		CHECKED BY TELO	DATE 2008/06/10		
		3 PLACES ±	---		APPROVED BY JLAURX	DATE 2009/10/08		
		2 PLACES ±	0.13	---	MATERIAL NO. SEE CHART		DOCUMENT NO. SD-76060-001	SHEET NO. 1 OF 2
		1 PLACE ±	0.25	---	THIS DRAWING CONTAINS INFORMATION THAT IS PROPRIETARY TO MOLEX INCORPORATED AND SHOULD NOT BE USED WITHOUT WRITTEN PERMISSION			
		0 PLACE ±		---				

MATERIAL NUMBER	# OF COLUMNS	# OF DIFF PAIR	DIM "A" MAX	DIM "B"	PTH ϕ
76060-*010	10	50	19.00	17.10	0.46 ±0.05
76060-*012	12	60	22.80	20.90	
76060-*014	14	70	26.60	24.70	
76060-*016	16	80	30.40	28.50	
76060-*020	10	50	19.00	17.10	0.39 ±0.05
76060-*022	12	60	22.80	20.90	
76060-*024	14	70	26.60	24.70	
76060-*026	16	80	30.40	28.50	

76060-*0**

1 = OPEN LEAD-FREE

- # OF COLUMNS
- 10 = 10 COL 0.46 PTH
 - 12 = 12 COL 0.46 PTH
 - 14 = 14 COL 0.46 PTH
 - 16 = 16 COL 0.46 PTH
 - 20 = 10 COL 0.39 PTH
 - 22 = 12 COL 0.39 PTH
 - 24 = 14 COL 0.39 PTH
 - 26 = 16 COL 0.39 PTH

SEE SHEET 1 EC NO: UCP2015-3161 DRAWN: JGONZALEZ01 2015/02/04 CHKD: APPR: TELO 2015/02/09 REV	QUALITY SYMBOLS	GENERAL TOLERANCES (UNLESS SPECIFIED)	DIMENSION STYLE	SCALE	DESIGN UNITS	THIRD ANGLE PROJECTION
		mm INCH 4 PLACES ± --- ± --- 3 PLACES ± --- ± --- 2 PLACES ± 0.13 ± --- 1 PLACE ± 0.25 ± --- 0 PLACE ± ±	MM ONLY	3:1	METRIC	
	DRAWN BY: JLAURX DATE: 2008/06/10 CHECKED BY: TELO DATE: 2008/06/10 APPROVED BY: JLAURX DATE: 2009/10/08	TITLE: IMPACT 100 OHM DC 5 PAIR SIGNAL MODULE UNGUIDED SALES DRAWING 		MATERIAL NO. DOCUMENT NO. SD-76060-001 SEE CHART		SHEET NO. 2 OF 2
	ANGULAR ±1/2° DRAFT WHERE APPLICABLE MUST REMAIN WITHIN DIMENSIONS		THIS DRAWING CONTAINS INFORMATION THAT IS PROPRIETARY TO MOLEX INCORPORATED AND SHOULD NOT BE USED WITHOUT WRITTEN PERMISSION			