

Excellent Integrated System Limited

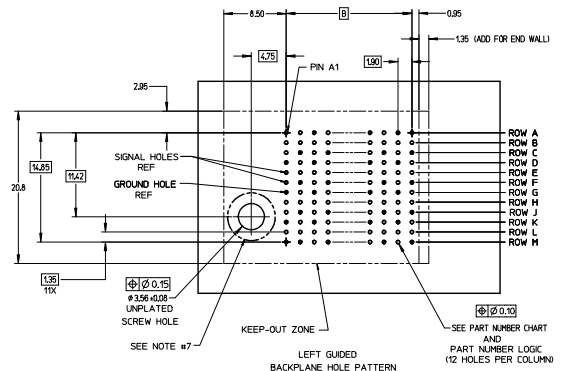
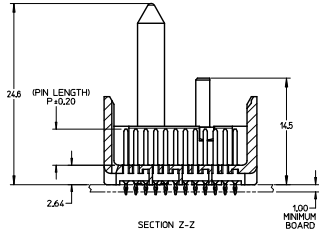
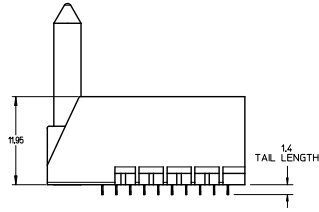
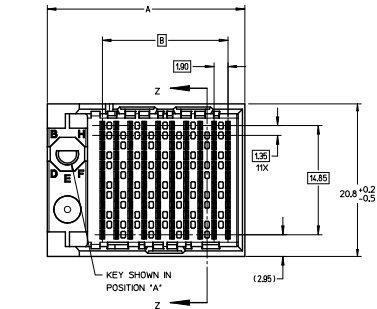
Stocking Distributor

Click to view price, real time Inventory, Delivery & Lifecycle Information:

[Molex Connector Corporation](#)
[0761553307](#)

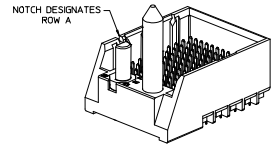
For any questions, you can email us directly:

sales@integrated-circuit.com



- NOTES:
- MATERIALS: HOUSING - LIQUID CRYSTAL POLYMER (LCP) GLASS-FILLED, UL94V-0
TERMINALS - HIGH PERFORMANCE COPPER ALLOY
Pd-Ni IN CONTACT AREA. SELECTIVE TIN ON PCB TAILS. NICKEL OVERALL.
 - FINISH 5 MICRONCH MINIMUM GOLD FLASH OVER 20 MICRONCH MINIMUM Pd-Ni IN CONTACT AREA. SELECTIVE TIN ON PCB TAILS. NICKEL OVERALL.
 - REFER TO MOLEX PRODUCT SPECIFICATION PS-76060-999 FOR PERFORMANCE SPECIFICATIONS AND ADDITIONAL PCB INFORMATION.
 - THIS PART CONFORMS TO CLASS B REQUIREMENTS OF MOLEX COSMETIC SPEC PS-45499-002.
 - PACKAGE PER PK-70873-757.
 - SEE SHEETS 2 & 3 FOR PART NUMBERS AND BOARD RELATIONSHIPS.
 - FOR GROUNDED GUIDE PINS USE DIA. 3.56 +/-0.08 (PTH) DIA. 3.66 (DRILL) AND DIA. 6.5 (PAD).
 - MATES WITH IMPACT DC SERIES NO. 76160.
 - KEEP OUT ZONE FOR BP HOUSING LENGTH INCLUDES AN ADDITIONAL 1.0MM TO ACCOMMODATE FOR SPACE REQUIRED BY DC FRONT HOUSING.
 - REFER TO MOLEX PCB ROUTING GUIDE AS-76060-990 FOR ANTI PAD AND ROUTING RECOMMENDATIONS.
 - CONNECTORS SUPPLIED WITH A 2-56 UNC-2A SCREW.
 - THESE DIMENSIONS REPRESENT THE AREA NEEDED TO ACCOMMODATE CONNECTOR INSERTION AND REPAIR ON THE PC BOARD, THIS IS REFERRED TO AS THE "CONNECTOR KEEP OUT ZONE" AND DOES NOT REPRESENT THE ACTUAL PERIMETER OF THE CONNECTOR, WHEN LAYING OUT THE PC BOARD FOR CONNECTORS STACKED TOGETHER, USE A 1.9mm PROGRESSION.

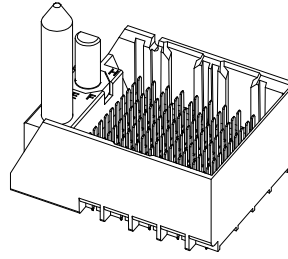
Pd-Ni
PLATING



INITIAL RELEASE ECC INC. (EPT/04-2332) DRYNSVANG01 2015/12/08 CHOKOMALLE 2015/12/08 APPROXIMATE 2015/12/17 REV	QUALITY SYMBOLS	GENERAL TOLERANCES (UNLESS SPECIFIED):	DIMENSION STYLE	SCALE	DESIGN UNITS	THIRD ANGLE PROJECTION																									
	<table border="1"> <tr> <th></th> <th>mm</th> <th>INCH</th> </tr> <tr> <td>4 PLACES</td> <td>±0.15</td> <td>±0.005</td> </tr> <tr> <td>3 PLACES</td> <td>±0.20</td> <td>±0.008</td> </tr> <tr> <td>2 PLACES</td> <td>±0.25</td> <td>±0.010</td> </tr> <tr> <td>1 PLACE</td> <td>±0.30</td> <td>±0.012</td> </tr> <tr> <td>0 PLACE</td> <td>±0.35</td> <td>±0.014</td> </tr> </table>		mm	INCH	4 PLACES	±0.15	±0.005	3 PLACES	±0.20	±0.008	2 PLACES	±0.25	±0.010	1 PLACE	±0.30	±0.012	0 PLACE	±0.35	±0.014	<table border="1"> <tr> <th>DATE</th> <th>TITLE</th> </tr> <tr> <td>2015/12/08</td> <td>IMPACT 4 PAIR HEADER</td> </tr> <tr> <td>2015/12/08</td> <td>LEFT GUIDED PDI</td> </tr> <tr> <td>2015/12/17</td> <td>ASSEMBLY SALES DRAWING</td> </tr> </table>	DATE	TITLE	2015/12/08	IMPACT 4 PAIR HEADER	2015/12/08	LEFT GUIDED PDI	2015/12/17	ASSEMBLY SALES DRAWING	MM ONLY	4:1	METRIC
	mm	INCH																													
4 PLACES	±0.15	±0.005																													
3 PLACES	±0.20	±0.008																													
2 PLACES	±0.25	±0.010																													
1 PLACE	±0.30	±0.012																													
0 PLACE	±0.35	±0.014																													
DATE	TITLE																														
2015/12/08	IMPACT 4 PAIR HEADER																														
2015/12/08	LEFT GUIDED PDI																														
2015/12/17	ASSEMBLY SALES DRAWING																														
	ANGULAR ±1/2°	DRAFT WHERE APPLICABLE MUST REMAIN WITHIN DIMENSIONS	SEE TABLE	MATERIAL NO.	DOCUMENT NO.	SHEET NO.																									
					RSD-173428-002	1 OF 3																									
					THIS DRAWING CONTAINS INFORMATION THAT IS PROPRIETARY TO MOLEX INCORPORATED AND SHOULD NOT BE USED WITHOUT WRITTEN PERMISSION																										

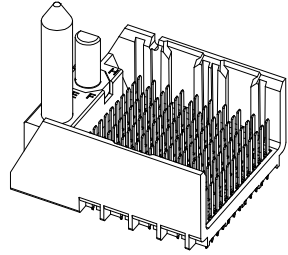
PART NUMBER TABLE

MATERIAL NUMBER	# OF COLUMNS	# OF DIFF PAIR	DIM 'A'	DIM 'B'	GUIDE LEFT END WALL OPTION
173428- *3**	6	24	19.3	9.50	
173428- *8**	8	32	23.1	13.30	
173428- *1**	10	40	26.9	17.10	
173428- *6**	16	64	38.3	28.50	



GUIDE LEFT
END WALL
OPTION

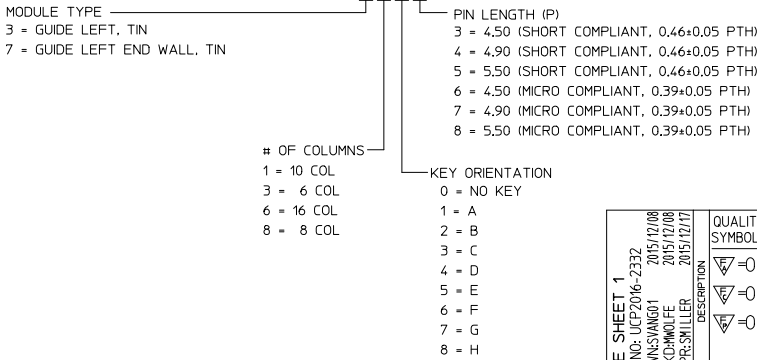
MATERIAL NUMBER	# OF COLUMNS	# OF DIFF PAIR	DIM 'A'	DIM 'B'	GUIDE LEFT OPEN WALL OPTION
173428- *3**	6	24	17.9	9.50	
173428- *8**	8	32	21.7	13.30	
173428- *1**	10	40	25.5	17.10	
173428- *6**	16	64	36.9	28.50	



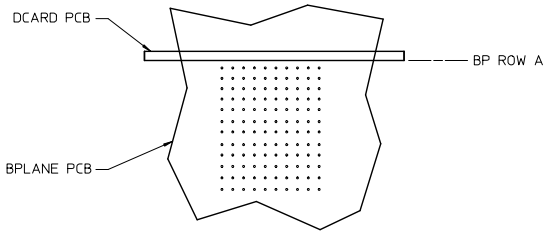
GUIDE LEFT
OPEN WALL
OPTION

PART NUMBER LOGIC

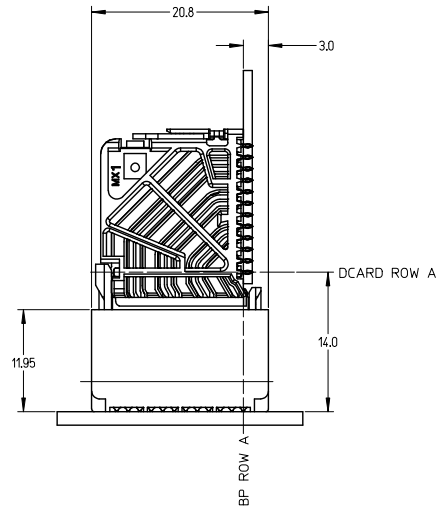
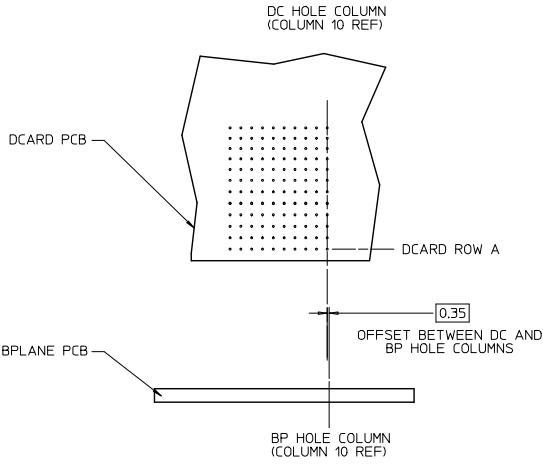
173428-****



SEE SHEET 1 EC NO: UCP2016-2332 DRWNSVANG01 2015/12/08 CHKDWOLFE 2015/12/08 APPRSMILLER 2015/12/17 DESCRIPTION REV A	QUALITY SYMBOLS ∇=0 ∇=0 ∇=0	GENERAL TOLERANCES (UNLESS SPECIFIED)		DIMENSION STYLE MM ONLY		SCALE 3:1	DESIGN UNITS METRIC	THIRD ANGLE PROJECTION		
		4 PLACES ± --- ± ---	3 PLACES ± --- ± ---	2 PLACES ± 0.13 ± ---	1 PLACE ± 0.25 ± ---	0 PLACE ± ±	ANGULAR ± 1/2°	DRAWN BY SVANG01 DATE 2015/12/08		
		DRAFT WHERE APPLICABLE MUST REMAIN WITHIN DIMENSIONS		SEE TABLE		MATERIAL NO.		DOCUMENT NO.		SHEET NO.
						RSD-173428-002		IMPACT 4 PAIR HEADER LEFT GUIDED PDNI ASSEMBLY SALES DRAWING		2 OF 3



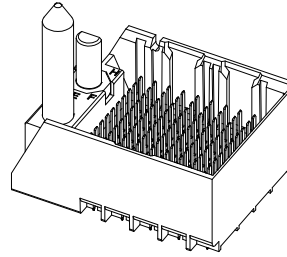
IMPACT 4 PAIR
BOARD RELATIONSHIPS



SEE SHEET 1 EC NO: UCP2016-2332 DRWNG: SVANG01 CHK: KMOLFE APPR: SMILLER	2015/12/08 2015/12/08 2015/12/17	QUALITY SYMBOLS ∇=0 ∇=0 ∇=0	GENERAL TOLERANCES (UNLESS SPECIFIED)		DIMENSION STYLE		SCALE	DESIGN UNITS	THIRD ANGLE PROJECTION	
			mm	INCH	MM ONLY		2:1	METRIC	☉	
			4 PLACES ±	---	---	---	DRAWN BY	DATE	TITLE	
			3 PLACES ±	---	---	---	CHECKED BY	DATE	IMPACT 4 PAIR HEADER LEFT GUIDED PDNI ASSEMBLY SALES DRAWING	
2 PLACES ±	0.13	---	---	APPROVED BY	DATE	molex		SHEET NO. 3 OF 3		
1 PLACE ±	0.25	---	---	SMILLER	2015/12/17	DOCUMENT NO. RSD-173428-002				
0 PLACE ±	---	---	---	ANGULAR ±1/2°		SEE TABLE				
DRAFT WHERE APPLICABLE MUST REMAIN WITHIN DIMENSIONS			MATERIAL NO.		SIZE		THIS DRAWING CONTAINS INFORMATION THAT IS PROPRIETARY TO MOLEX INCORPORATED AND SHOULD NOT BE USED WITHOUT WRITTEN PERMISSION			

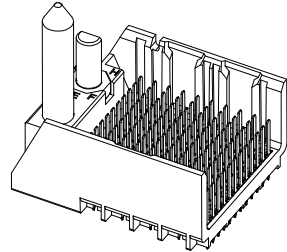
PART NUMBER TABLE

MATERIAL NUMBER	# OF COLUMNS	# OF DIFF PAIR	DIM 'A'	DIM 'B'	GUIDE LEFT END WALL OPTION
76155-3**	6	24	19.3	9.50	
76155-8**	8	32	23.1	13.30	
76155-1**	10	40	26.9	17.10	
76155-6**	16	64	38.3	28.50	



GUIDE LEFT
END WALL
OPTION

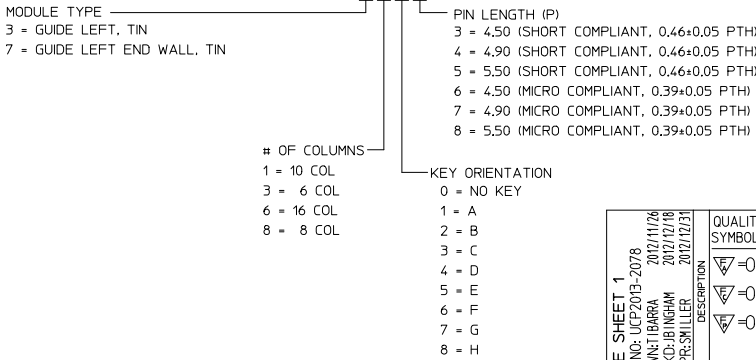
MATERIAL NUMBER	# OF COLUMNS	# OF DIFF PAIR	DIM 'A'	DIM 'B'	GUIDE LEFT OPEN WALL OPTION
76155-3**	6	24	17.9	9.50	
76155-8**	8	32	21.7	13.30	
76155-1**	10	40	25.5	17.10	
76155-6**	16	64	36.9	28.50	



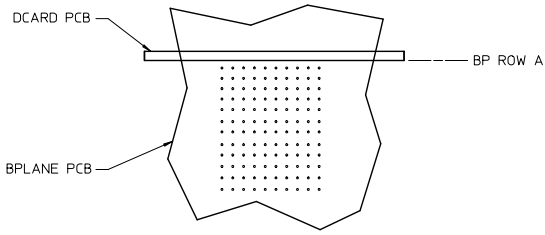
GUIDE LEFT
OPEN WALL
OPTION

PART NUMBER LOGIC

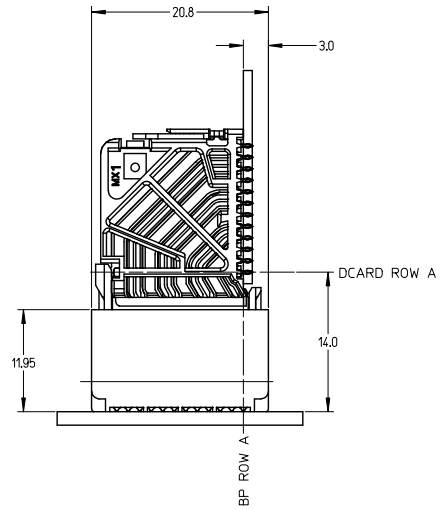
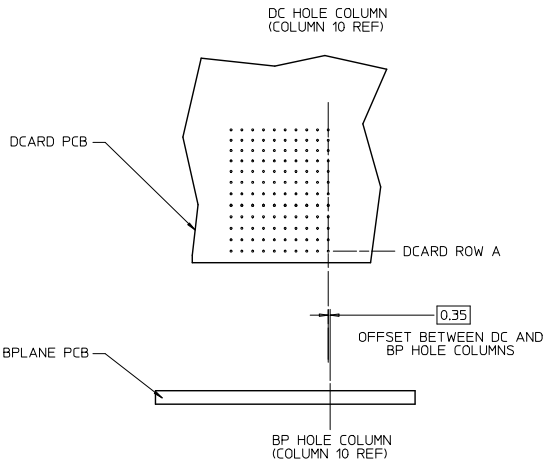
76155-****



SEE SHEET 1 EC NO: UCP2015-2078 DRAWN: TIBARRA 2012/11/28 CHKD: BINGHAM 2012/12/18 APPR: SMILLER 2012/12/31	QUALITY SYMBOLS ▽=0 ▽=0 ▽=0	GENERAL TOLERANCES (UNLESS SPECIFIED)		DIMENSION STYLE MM ONLY		SCALE 3:1	DESIGN UNITS METRIC	THIRD ANGLE PROJECTION	
		4 PLACES ± --- ± ---	3 PLACES ± --- ± ---	DRAWN BY MSANDBERG	DATE 2007/19/07	TITLE IMPACT 4 PAIR HEADER LEFT GUIDED ASSEMBLY SALES DRAWING			
		2 PLACES ± 0.13 ± ---	1 PLACE ± 0.25 ± ---	CHECKED BY JLAURX	DATE 2007/19/07				
		0 PLACE ± --- ± ---	ANGULAR ± 1/2°	APPROVED BY JLAURX	DATE 2010/11/15				



IMPACT 4 PAIR
BOARD RELATIONSHIPS



SEE SHEET 1 EC NO: UCP2015-2078 DRAWN BY: BARBARA 2012/11/28 CHECKED BY: BINGHAM 2012/12/18 APPROVED BY: MILLER 2012/12/31	QUALITY SYMBOLS ∇=0 ∇=0 ∇=0	GENERAL TOLERANCES (UNLESS SPECIFIED)		DIMENSION STYLE MM ONLY		SCALE 2:1	DESIGN UNITS METRIC	THIRD ANGLE PROJECTION	
		4 PLACES ± --- ± ---	mm INCH	DRAWN BY MSANDBERG	DATE 2007/19/07	TITLE IMPACT 4 PAIR HEADER LEFT GUIDED ASSEMBLY SALES DRAWING			
		3 PLACES ± --- ± ---		CHECKED BY JLAURX	DATE 2007/19/07	molex			
		2 PLACES ± 0.13 ± --- 1 PLACE ± 0.25 ± --- 0 PLACE ± ±		APPROVED BY JLAURX	DATE 2010/11/15	MATERIAL NO. SEE TABLE	DOCUMENT NO. SD-76155-002	SHEET NO. 3 OF 3	
ANGULAR ± 1/2°		DRAFT WHERE APPLICABLE MUST REMAIN WITHIN DIMENSIONS		THIS DRAWING CONTAINS INFORMATION THAT IS PROPRIETARY TO MOLEX INCORPORATED AND SHOULD NOT BE USED WITHOUT WRITTEN PERMISSION					