

Excellent Integrated System Limited

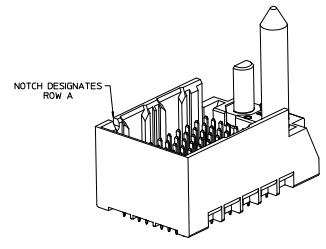
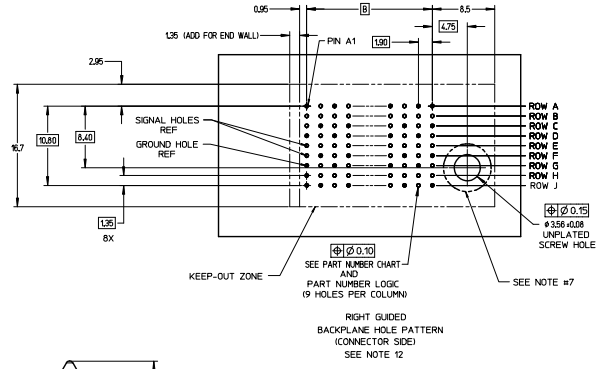
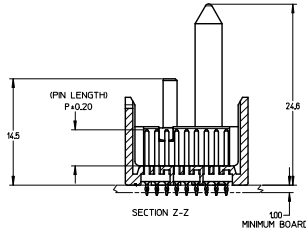
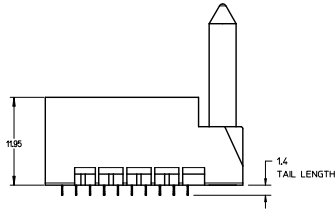
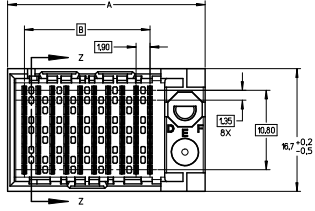
Stocking Distributor

Click to view price, real time Inventory, Delivery & Lifecycle Information:

[Molex Connector Corporation](#)
[0761655307](#)

For any questions, you can email us directly:

sales@integrated-circuit.com

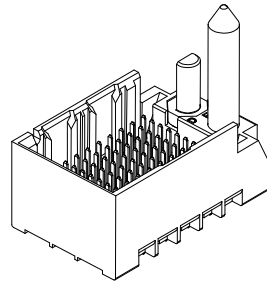


- NOTES:
1. MATERIALS: HOUSING - LIQUID CRYSTAL POLYMER (LCP)
GLASS-FILLED, UL94V-0
TERMINALS - HIGH PERFORMANCE COPPER ALLOY
 2. FINISH: 30μ MIN GOLD IN CONTACT AREA,
SELECTIVE TIN ON PCB TAILS,
NICKEL OVERALL.
 3. REFER TO MOLEX PRODUCT SPECIFICATION PS-76060-999
FOR PERFORMANCE SPECIFICATIONS AND ADDITIONAL PCB INFORMATION.
 4. THIS PART CONFORMS TO CLASS B REQUIREMENTS OF
MOLEX COSMETIC SPEC PS-45499-002.
 5. PACKAGE PER: PK-70873-758.
 6. SEE SHEETS 2 & 3 FOR PART NUMBERS AND BOARD RELATIONSHIPS.
 7. FOR GROUNDED GUIDE PINS USE DIA. 3.56 +/-0.08 (PTH)
DIA. 3.66 (DRILL) AND DIA. 4.5 (PAD).
 8. MATES WITH IMPACT DC SERIES NO. 76170.
 9. KEEP OUT ZONE FOR BP HOUSING LENGTH INCLUDES AN ADDITIONAL 10MM
TO ACCOMMODATE FOR SPACE REQUIRED BY DC FRONT HOUSING.
 10. REFER TO MOLEX PCB ROUTING GUIDE AS-76060-990 FOR ANTI-PAD AND ROUTING RECOMMENDATIONS.
 11. CONNECTORS SUPPLIED WITH A 2-56 UNC-2A SCREW.
 12. THESE DIMENSIONS REPRESENT THE AREA NEEDED TO ACCOMMODATE CONNECTOR INSERTION AND
REPAIR ON THE PC BOARD. THIS IS REFERRED TO AS THE "CONNECTOR KEEP OUT ZONE" AND
DOES NOT REPRESENT THE ACTUAL PERIMETER OF THE CONNECTOR, WHEN LAYING OUT A PC BOARD
FOR CONNECTORS STACKED TOGETHER. USE A 1.9mm PROGRESSION.

| | | | | | | |
|---|--|---|---|--|--|---|
| REVISIONS EC NSR LFC/2014-0887 2013/08/25 CHOD/LANKR 2013/08/25 APPELL/LANKR 2013/07/25 (REV) | QUALITY SYMBOLS 4 PLACES ±0 3 PLACES ±0 2 PLACES ±0.13 1 PLACE ±0.25 0 PLACE ± | GENERAL TOLERANCES (UNLESS SPECIFIED) mm INCH ±0.15 ±0.005 ±0.25 ±0.010 ±0.50 ±0.020 ±1.00 ±0.040 ±1.50 ±0.060 ±2.00 ±0.080 ±3.00 ±0.120 ±4.00 ±0.160 ±5.00 ±0.200 ±6.00 ±0.240 ±8.00 ±0.320 ±10.00 ±0.400 ±15.00 ±0.600 ±20.00 ±0.800 ±30.00 ±1.200 ±40.00 ±1.600 ±50.00 ±2.000 ±60.00 ±2.400 ±80.00 ±3.200 ±100.00 ±4.000 ±150.00 ±6.000 ±200.00 ±8.000 ±300.00 ±12.000 ±400.00 ±16.000 ±500.00 ±20.000 ±600.00 ±24.000 ±800.00 ±32.000 ±1000.00 ±40.000 | DIMENSION STYLE MM ONLY DRAWN BY MSANDBERG DATE 2007/06/18 CHECKED BY JLAURX DATE 2007/06/18 APPROVED BY JLAURX DATE 2010/10/15 | SCALE 4:1 DESIGN UNITS METRIC THIRD ANGLE PROJECTION | TITLE IMPACT BP 3 PAIR RIGHT GUIDED ASSEMBLY SALES DRAWING | MATERIAL NO. SEE TABLE DOCUMENT NO. SD-76165-003 SHEET NO. 1 OF 3 |
| | DRAFT WHERE APPLICABLE MUST REMAIN WITHIN DIMENSIONS SEE TABLE THIS DRAWING CONTAINS INFORMATION THAT IS PROPRIETARY TO MOLEX INCORPORATED AND SHOULD NOT BE USED WITHOUT WRITTEN PERMISSION | | | | | |

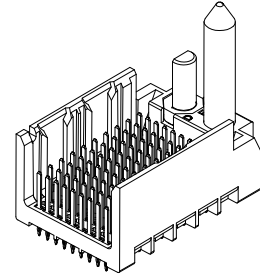
PART NUMBER TABLE

| MATERIAL NUMBER | # OF COLUMNS | # OF DIFF PAIR | DIM "A" | DIM "B" | GUIDE RIGHT END WALL OPTION |
|-----------------|--------------|----------------|---------|---------|-----------------------------------|
| 76165-3** | 6 | 18 | 19.3 | 9.50 | |
| 76165-8** | 8 | 24 | 23.1 | 13.30 | |
| 76165-1** | 10 | 30 | 26.9 | 17.10 | |
| 76165-6** | 16 | 48 | 38.3 | 28.50 | |



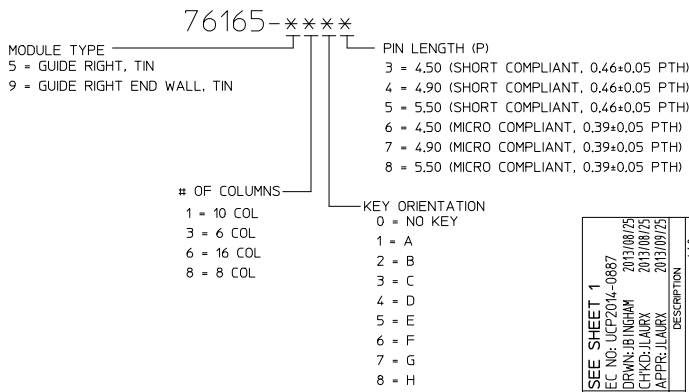
GUIDE RIGHT
END WALL
OPTION

| MATERIAL NUMBER | # OF COLUMNS | # OF DIFF PAIR | DIM "A" | DIM "B" | GUIDE RIGHT OPEN WALL OPTION |
|-----------------|--------------|----------------|---------|---------|------------------------------------|
| 76165-3** | 6 | 18 | 17.9 | 9.50 | |
| 76165-8** | 8 | 24 | 21.7 | 13.30 | |
| 76165-1** | 10 | 30 | 25.5 | 17.10 | |
| 76165-6** | 16 | 48 | 36.9 | 28.50 | |



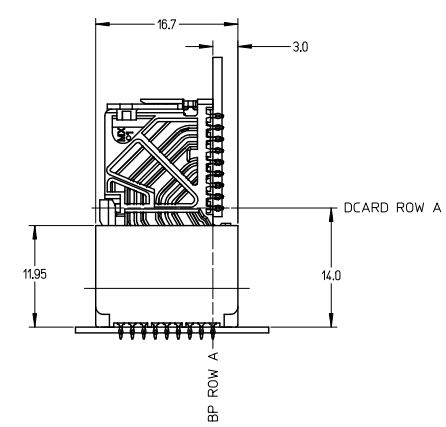
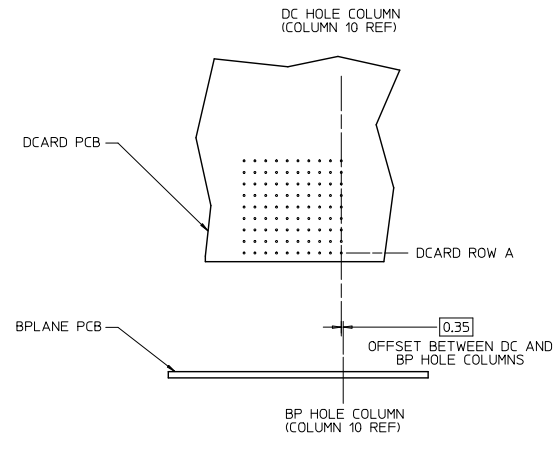
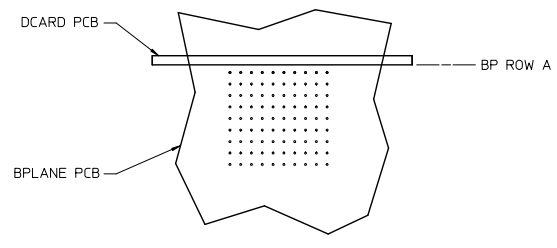
GUIDE RIGHT
OPEN WALL
OPTION

PART NUMBER LOGIC



| | | | | | | |
|---|-----------------|---|----------------------------|--------------------|---|------------------------|
| SEE SHEET 1 EC NO: UCP2014-0887 DRWN: JINGHAI 2013/08/29 CHKD: JLAURX 2013/08/29 APPR: JLAURX 2013/09/25 J1 REV | QUALITY SYMBOLS | GENERAL TOLERANCES (UNLESS SPECIFIED) | DIMENSION STYLE MM ONLY | SCALE 3:1 | DESIGN UNITS METRIC | THIRD ANGLE PROJECTION |
| | ▽=0 | 4 PLACES ± --- ± --- | DRAWN BY MSANDBERG | DATE 2007/06/18 | TITLE IMPACT BP 3 PAIR RIGHT GUIDED ASSEMBLY SALES DRAWING | |
| | ▽=0 | 3 PLACES ± --- ± --- | CHECKED BY JLAURX | DATE 2007/06/18 | | |
| | ▽=0 | 2 PLACES ± 0.13 ± --- | APPROVED BY JLAURX | DATE 2010/10/15 | | |
| | | 1 PLACE ± 0.25 ± --- | MATERIAL NO. | | DOCUMENT NO. | SHEET NO. |
| | | 0 PLACE ± ± | SEE TABLE | | SD-76165-003 | 2 OF 3 |
| DRAFT WHERE APPLICABLE MUST REMAIN WITHIN DIMENSIONS | | THIS DRAWING CONTAINS INFORMATION THAT IS PROPRIETARY TO MOLEX INCORPORATED AND SHOULD NOT BE USED WITHOUT WRITTEN PERMISSION | | | | |

IMPACT 3 PAIR
BOARD RELATIONSHIPS



| | | | | | | | | | |
|---|--------------------------------------|--|--|----------------------------|--------------------|--|------------------------|--|--|
| SEE SHEET 1 EC NO: UCP2014-0887 DRAWN: J. INGRAM 2013/08/29 CHKD: JLAURX 2013/08/29 APPR: JLAURX 2013/09/25 | QUALITY SYMBOLS ∇=0 ∇=0 ∇=0 | GENERAL TOLERANCES (UNLESS SPECIFIED) | | DIMENSION STYLE MM ONLY | | SCALE 2:1 | DESIGN UNITS METRIC | THIRD ANGLE PROJECTION | |
| | | 4 PLACES ± --- ± --- 3 PLACES ± --- ± --- 2 PLACES ± 0.13 ± --- 1 PLACE ± 0.25 ± --- 0 PLACE ± ± | mm INCH --- --- --- --- --- --- --- --- --- --- | DRAWN BY MSANDBERG | DATE 2007/06/18 | TITLE IMPACT BP 3 PAIR RIGHT GUIDED ASSEMBLY SALESS DRAWING | | molex | |
| J1 | REV | DRAFT WHERE APPLICABLE MUST REMAIN WITHIN DIMENSIONS | | MATERIAL NO. SEE TABLE | | DOCUMENT NO. SD-76165-003 | | THIS DRAWING CONTAINS INFORMATION THAT IS PROPRIETARY TO MOLEX INCORPORATED AND SHOULD NOT BE USED WITHOUT WRITTEN PERMISSION | |