

Excellent Integrated System Limited

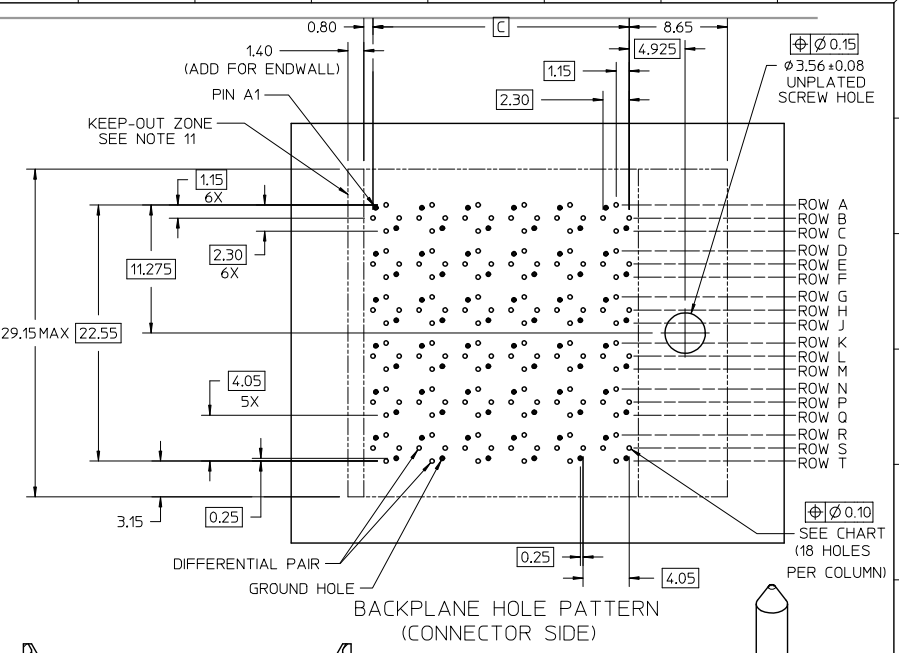
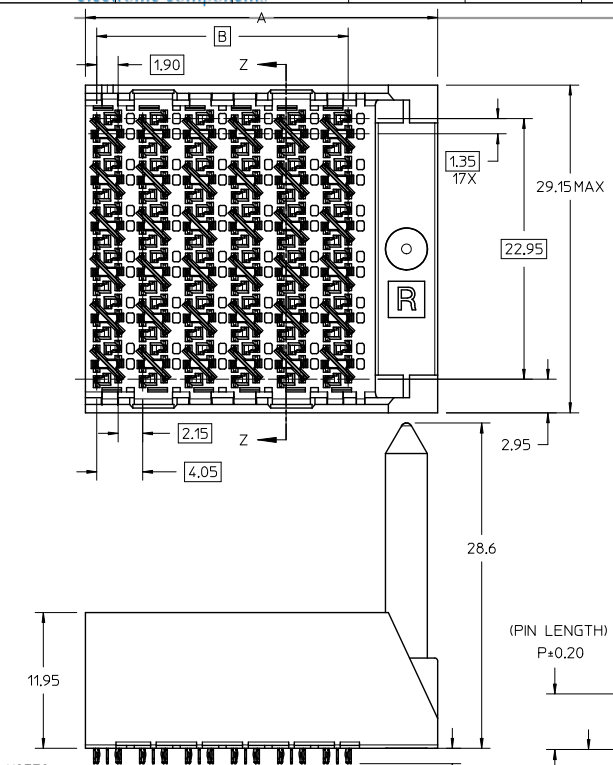
Stocking Distributor

Click to view price, real time Inventory, Delivery & Lifecycle Information:

[Molex Connector Corporation](#)
[0762859207](#)

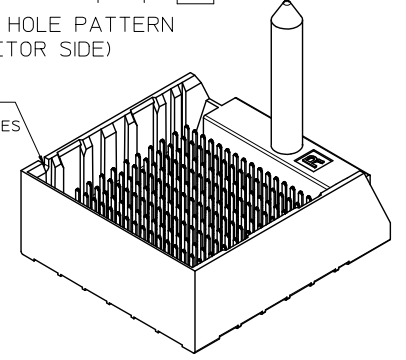
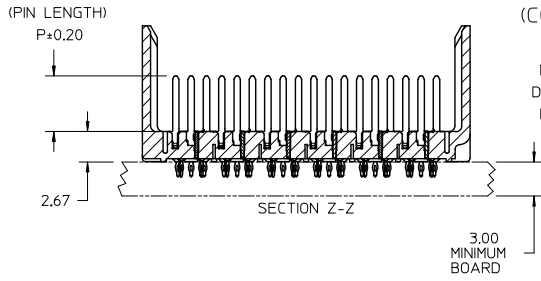
For any questions, you can email us directly:

sales@integrated-circuit.com



NOTES:

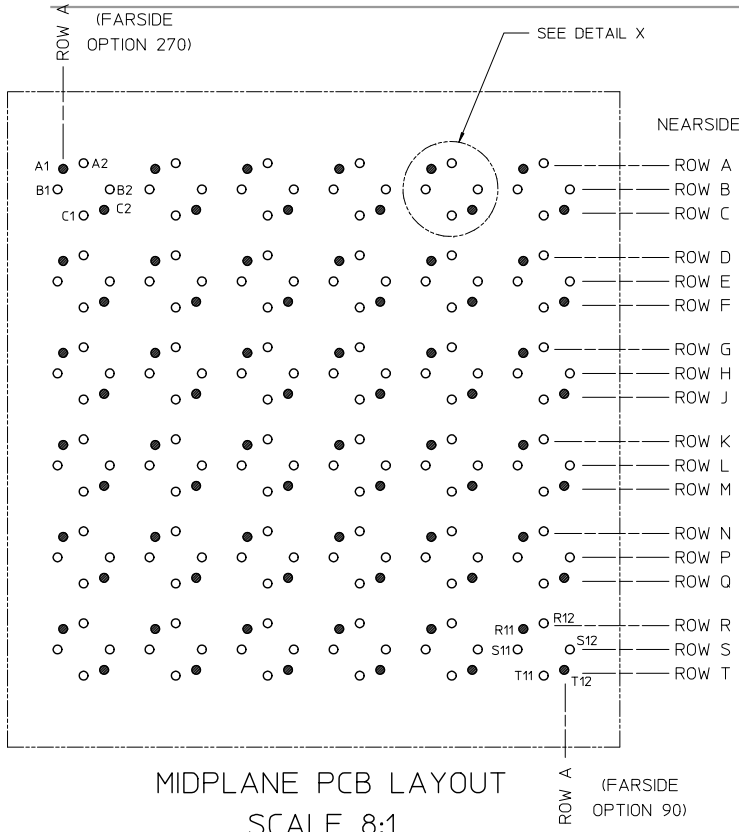
1. MATERIALS: HOUSING - LIQUID CRYSTAL POLYMER (LCP) GLASS-FILLED, UL94V-0
TERMINALS - HIGH PERFORMANCE COPPER ALLOY
2. FINISH: 30µ MIN GOLD IN CONTACT AREA.
SELECTIVE TIN OR TIN-LEAD ON PCB TAILS, NICKEL OVERALL.
3. REFER TO MOLEX PRODUCT SPECIFICATION PS-76060-999 FOR PERFORMANCE SPECIFICATIONS AND ADDITIONAL PCB INFORMATION.
4. THIS PART CONFORMS TO CLASS B REQUIREMENTS OF COSMETIC SPEC PS-45499-002.
5. PRODUCT IS PACKAGED PER PK-70873-766.
6. SEE SHEETS 2 THRU 4 FOR PART NUMBERS AND ORTHOGONAL PIN MAPPING.
7. REFER TO MOLEX SALES DRAWING SD-76290-004 FOR THE MATING RECEPTACLES.
8. REFER TO MOLEX ROUTING GUIDE AS-76850-990 FOR ADDITIONAL PCB LAYOUT AND ROUTING RECOMMENDATIONS.
9. THE KEEP-OUT ZONE FOR THE PART LENGTH INCLUDES AN ADDITIONAL 1.0mm TO ACCOMMODATE FOR SPACE REQUIRED BY THE DAUGHTERCARD ASSEMBLY.
10. CONNECTORS ARE SUPPLIED WITH A 2-56 UNC-2A SCREW.
11. THESE DIMENSIONS REPRESENT THE AREA NEEDED TO ACCOMMODATE CONNECTOR INSERTION AND REPAIR ON THE PC BOARD. THIS DOES NOT REPRESENT THE ACTUAL PERIMETER OF THE CONNECTOR.



ENDWALL VERSION SHOWN

UPDATED VIEWS EC NO: UCP2014-2698 DRAWING: Z1101 2015/04/03 CHKD: APPR: TELD 2015/03/24	QUALITY SYMBOLS ∇=0 ∇=0.13 ∇=0.25	GENERAL TOLERANCES (UNLESS SPECIFIED)		DIMENSION STYLE MM ONLY		SCALE 4:1	DESIGN UNITS METRIC	THIRD ANGLE PROJECTION	
		4 PLACES ± --- ± --- 3 PLACES ± --- ± --- 2 PLACES ± 0.13 ± --- 1 PLACE ± 0.25 ± --- 0 PLACE ± ±	mm INCH ± --- ± --- ± --- ± --- ± --- ± --- ± --- ± ---	DRAWN BY JLAURX	DATE 4/22/09	CHECKED BY JMENDOZA	DATE 2010/01/13	TITLE IMPACT 6 PAIR HEADER ORTHOGONAL ASSEMBLY GUIDE RIGHT SALES DWG	
MATERIAL NO. SEE CHART		ANGULAR ± 1/2°		APPROVED BY JBINGHAM		DATE 2010/01/14	DOCUMENT NO. SD-76285-003		SHEET NO. 1 OF 4
DRAFT WHERE APPLICABLE MUST REMAIN WITHIN DIMENSIONS									
THIS DRAWING CONTAINS INFORMATION THAT IS PROPRIETARY TO MOLEX INCORPORATED AND SHOULD NOT BE USED WITHOUT WRITTEN PERMISSION									

MATERIAL NUMBER	NUMBER OF COLUMNS	NUMBER OF DIFF PAIR	MODULE TYPE	DIM A	DIM B	DIM C
76285-*10*	10	60	NO ENDWALL	27.0	18.10	18.50
76285-*10*	10	60	WITH ENDWALL	28.4	18.10	18.50
76285-*20*	12	72	NO ENDWALL	31.0	22.15	22.55
76285-*20*	12	72	WITH ENDWALL	32.4	22.15	22.55



76285-*x*0*

MODULE & TAIL PLATING TYPE

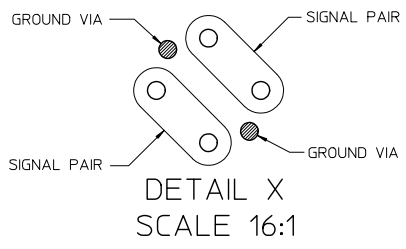
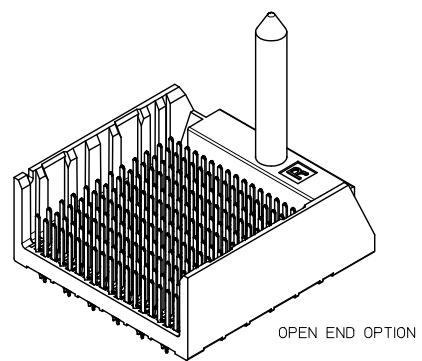
4 = GUIDE RIGHT NO ENDWALL, TIN/LEAD
5 = GUIDE RIGHT NO ENDWALL, TIN
8 = GUIDE RIGHT ENDWALL, TIN/LEAD
9 = GUIDE RIGHT ENDWALL, TIN

PIN LENGTH (P)

4 = 4.90 (0.46 PTH)
5 = 5.50 (0.46 PTH)
7 = 4.90 (0.39 PTH)
8 = 5.50 (0.39 PTH)

OF COLUMNS

1 = 10 COLUMNS
2 = 12 COLUMNS



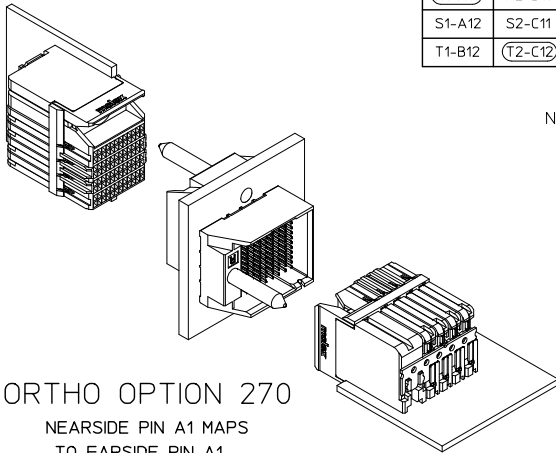
SEE SHEET 1 EC NO: UCP2014-2698 DRAWN BY: JLAURX CHECKED BY: JMENDOZA APPROVED BY: JB INGHAM DATE: 2013/04/03 DATE: 2010/01/13 DATE: 2010/01/14	QUALITY SYMBOLS ▽=0 ▽=0 ▽=0	GENERAL TOLERANCES (UNLESS SPECIFIED)	DIMENSION STYLE MM ONLY	SCALE 3:1	DESIGN UNITS METRIC	THIRD ANGLE PROJECTION																	
		<table border="1"> <thead> <tr> <th></th> <th>mm</th> <th>INCH</th> </tr> </thead> <tbody> <tr> <td>4 PLACES</td> <td>±---</td> <td>±---</td> </tr> <tr> <td>3 PLACES</td> <td>±---</td> <td>±---</td> </tr> <tr> <td>2 PLACES</td> <td>±0.13</td> <td>±---</td> </tr> <tr> <td>1 PLACE</td> <td>±0.25</td> <td>±---</td> </tr> <tr> <td>0 PLACE</td> <td>±</td> <td>±</td> </tr> </tbody> </table>		mm	INCH	4 PLACES	±---	±---	3 PLACES	±---	±---	2 PLACES	±0.13	±---	1 PLACE	±0.25	±---	0 PLACE	±	±	DRAWN BY: JLAURX CHECKED BY: JMENDOZA APPROVED BY: JB INGHAM DATE: 4/22/09 DATE: 2010/01/13 DATE: 2010/01/14	TITLE IMPACT 6 PAIR HEADER ORTHOGONAL ASSEMBLY GUIDE RIGHT SALES DWG	
			mm	INCH																			
		4 PLACES	±---	±---																			
3 PLACES	±---	±---																					
2 PLACES	±0.13	±---																					
1 PLACE	±0.25	±---																					
0 PLACE	±	±																					
ANGULAR ±1/2° DRAFT WHERE APPLICABLE MUST REMAIN WITHIN DIMENSIONS	MATERIAL NO. SEE CHART	DOCUMENT NO. SD-76285-003	SHEET NO. 2 OF 4																				
THIS DRAWING CONTAINS INFORMATION THAT IS PROPRIETARY TO MOLEX INCORPORATED AND SHOULD NOT BE USED WITHOUT WRITTEN PERMISSION																							

ORTHO PIN MAPPING

OPTION 270 (NEAR SIDE - FAR SIDE)

(A1-A1)	A2-B1	(A3-D1)	A4-E1	(A5-G1)	A6-H1	(A7-K1)	A8-L1	(A9-N1)	A10-P1	(A11-R1)	A12-S1
B1-A2	B2-C1	B3-D2	B4-F1	B5-G2	B6-J1	B7-K2	B8-M1	B9-N2	B10-Q1	B11-R2	B12-T1
C1-B2	(C2-C2)	C3-E2	(C4-F2)	C5-H2	(C6-J2)	C7-L2	(C8-M2)	C9-P2	(C10-Q2)	C11-S2	(C12-T2)
(D1-A3)	D2-B3	(D3-D3)	D4-E3	(D5-G3)	D6-H3	(D7-K3)	D8-L3	(D9-N3)	D10-P3	(D11-R3)	D12-S3
E1-A4	E2-C3	E3-D4	E4-F3	E5-G4	E6-J3	E7-K4	E8-M3	E9-N4	E10-Q3	E11-R4	E12-T3
F1-B4	(F2-C4)	F3-E4	(F4-F4)	F5-H4	(F6-J4)	F7-L4	(F8-M4)	F9-P4	(F10-Q4)	F11-S4	(F12-T4)
(G1-A5)	G2-B5	(G3-D5)	G4-E5	(G5-G5)	G6-H5	(G7-K5)	G8-L5	(G9-N5)	G10-P5	(G11-R5)	G12-S5
H1-A6	H2-C5	H3-D6	H4-F5	H5-G6	H6-J5	H7-K6	H8-M5	H9-N6	H10-Q5	H11-R6	H12-T5
J1-B6	(J2-C6)	J3-E6	(J4-F6)	J5-H6	(J6-J6)	J7-L6	(J8-M6)	J9-P6	(J10-Q6)	J11-S6	(J12-T6)
(K1-A7)	K2-B7	(K3-D7)	K4-E7	(K5-G7)	K6-H7	(K7-K7)	K8-L7	(K9-N7)	K10-P7	(K11-R7)	K12-S7
L1-A8	L2-C7	L3-D8	L4-F7	L5-G8	L6-J7	L7-K8	L8-M7	L9-N8	L10-Q7	L11-R8	L12-T7
M1-B8	(M2-C8)	M3-E8	(M4-F8)	M5-H8	(M6-J8)	M7-L8	(M8-M8)	M9-P8	(M10-Q8)	M11-S8	(M12-T8)
(N1-A9)	N2-B9	(N3-D9)	N4-E9	(N5-G9)	N6-H9	(N7-K9)	N8-L9	(N9-N9)	N10-P9	(N11-R9)	N12-S9
P1-A10	P2-C9	P3-D10	P4-F9	P5-G10	P6-J9	P7-K10	P8-M9	P9-N10	P10-Q9	P11-R10	P12-T9
Q1-B10	(Q2-C10)	Q3-E10	(Q4-F10)	Q5-H10	(Q6-J10)	Q7-L10	(Q8-M10)	Q9-P10	(Q10-Q10)	Q11-S10	(Q12-T10)
(R1-A11)	R2-B11	(R3-D11)	R4-E11	(R5-G11)	R6-H11	(R7-K11)	R8-L11	(R9-N11)	R10-P11	(R11-R11)	R12-S11
S1-A12	S2-C11	S3-D12	S4-F11	S5-G12	S6-J11	S7-K12	S8-M11	S9-N12	S10-Q11	S11-R12	S12-T11
T1-B12	(T2-C12)	T3-E12	(T4-F12)	T5-H12	(T6-J12)	T7-L12	(T8-M12)	T9-P12	(T10-Q12)	T11-S12	(T12-T12)

NOTE: PINOUTS SHOWN IN BALLOONS ARE GROUNDS.
PINOUTS SHOWN ARE FOR SQUARE (12 COLUMN) PATTERN ONLY.



ORTHO OPTION 270
NEAR SIDE PIN A1 MAPS
TO FAR SIDE PIN A1

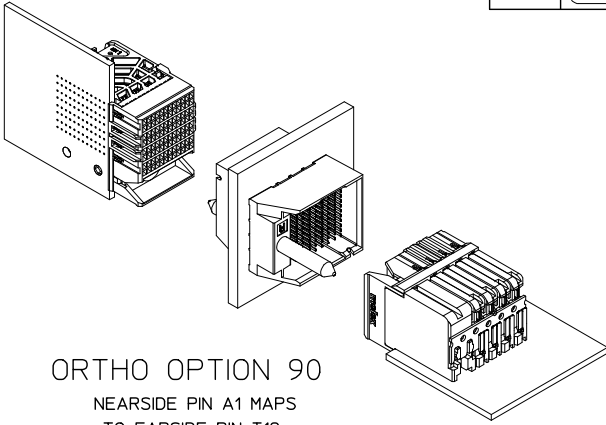
SEE SHEET 1 EC NO: UCP2014-2698 DRAWN BY: JLAURX CHKD: JMENDOZA APPR: JBIINGHAM DATE: 2013/04/03 DATE: 2010/01/13 DATE: 2010/01/14	QUALITY SYMBOLS DESCRIPTION REV	GENERAL TOLERANCES (UNLESS SPECIFIED)		DIMENSION STYLE MM ONLY		SCALE 8:1	DESIGN UNITS METRIC	THIRD ANGLE PROJECTION	
		4 PLACES ± --- ± ---	3 PLACES ± --- ± ---	DRAWN BY JLAURX	DATE 4/22/09	TITLE IMPACT 6 PAIR HEADER ORTHOGONAL ASSEMBLY GUIDE RIGHT SALES DWG			
		2 PLACES ± 0.13 ± ---	1 PLACE ± 0.25 ± ---	CHECKED BY JMENDOZA	DATE 2010/01/13	MATERIAL NO. SD-76285-003			
		0 PLACE ± ±	ANGULAR ± 1/2°	APPROVED BY JBIINGHAM	DATE 2010/01/14	DOCUMENT NO. SD-76285-003			
DRAFT WHERE APPLICABLE MUST REMAIN WITHIN DIMENSIONS		SEE CHART		THIS DRAWING CONTAINS INFORMATION THAT IS PROPRIETARY TO MOLEX INCORPORATED AND SHOULD NOT BE USED WITHOUT WRITTEN PERMISSION		SHEET NO. 3 OF 4			

ORTHO PIN MAPPING

OPTION 90 (NEAR SIDE - FAR SIDE)

(A1-T12)	A2-S12	(A3-Q12)	A4-P12	(A5-M12)	A6-L12	(A7-J12)	A8-H12	(A9-F12)	A10-E12	(A11-C12)	A12-B12
B1-T11	B2-R12	B3-Q11	B4-N12	B5-M11	B6-K12	B7-J11	B8-G12	B9-F11	B10-D12	B11-C11	B12-A12
C1-S11	(C2-R11)	C3-P11	(C4-N11)	C5-L11	(C6-K11)	C7-H11	(C8-G11)	C9-E11	(C10-D11)	C11-B11	(C12-A11)
(D1-T10)	D2-S10	(D3-Q10)	D4-P10	(D5-M10)	D6-L10	(D7-J10)	D8-H10	(D9-F10)	D10-E10	(D11-C10)	D12-B10
E1-T9	E2-R10	E3-Q9	E4-N10	E5-M9	E6-K10	E7-J9	E8-G10	E9-F9	E10-D10	E11-C9	E12-A10
F1-S9	(F2-R9)	F3-P9	(F4-N9)	F5-L9	(F6-K9)	F7-H9	(F8-G9)	F9-E9	(F10-D9)	F11-B9	(F12-A9)
(G1-T8)	G2-S8	(G3-Q8)	G4-P8	(G5-M8)	G6-L8	(G7-J8)	G8-H8	(G9-F8)	G10-E8	(G11-C8)	G12-B8
H1-T7	H2-R8	H3-Q7	H4-N8	H5-M7	H6-K8	H7-J7	H8-G8	H9-F7	H10-D8	H11-C7	H12-A8
J1-S7	(J2-R7)	J3-P7	(J4-N7)	J5-L7	(J6-K7)	J7-H7	(J8-G7)	J9-E7	(J10-D7)	J11-B7	(J12-A7)
(K1-T6)	K2-S6	(K3-Q6)	K4-P6	(K5-M6)	K6-L6	(K7-J6)	K8-H6	(K9-F6)	K10-E6	(K11-C6)	K12-B6
L1-T5	L2-R6	L3-Q5	L4-N6	L5-M5	L6-K6	L7-J5	L8-G6	L9-F5	L10-D6	L11-C5	L12-A6
M1-S5	(M2-R5)	M3-P5	(M4-N5)	M5-L5	(M6-K5)	M7-H5	(M8-G5)	M9-E5	(M10-D5)	M11-B5	(M12-A5)
(N1-T4)	N2-S4	(N3-Q4)	N4-P4	(N5-M4)	N6-L4	(N7-J4)	N8-H4	(N9-F4)	N10-E4	(N11-C4)	N12-B4
P1-T3	P2-R4	P3-Q3	P4-N4	P5-M3	P6-K4	P7-J3	P8-G4	P9-F3	P10-D4	P11-C3	P12-A4
Q1-S3	(Q2-R3)	Q3-P3	(Q4-N3)	Q5-L3	(Q6-K3)	Q7-H3	(Q8-G3)	Q9-E3	(Q10-D3)	Q11-B3	(Q12-A3)
(R1-T2)	R2-S2	(R3-Q2)	R4-P2	(R5-M2)	R6-L2	(R7-J2)	R8-H2	(R9-F2)	R10-E2	(R11-C2)	R12-B2
S1-T1	S2-R2	S3-Q1	S4-N2	S5-M1	S6-K2	S7-J1	S8-G2	S9-F1	S10-D2	S11-C1	S12-A2
T1-S1	(T2-R1)	T3-P1	(T4-N1)	T5-L1	(T6-K1)	T7-H1	(T8-G1)	T9-E1	(T10-D1)	T11-B1	(T12-A1)

NOTE: PINOUTS SHOWN IN BALLOONS ARE GROUNDS.
PINOUTS SHOWN ARE FOR SQUARE (12 COLUMN) PATTERN ONLY.



ORTHO OPTION 90
NEAR SIDE PIN A1 MAPS
TO FAR SIDE PIN T12
(FOR SQUARE PATTERN)

SEE SHEET 1 EC NO: UCP2014-2698 DRAWN BY: ZV101 2013/04/09 CHKD: APPR: TEL 2015/03/24 DESCRIPTION	QUALITY SYMBOLS	GENERAL TOLERANCES (UNLESS SPECIFIED)	DIMENSION STYLE	SCALE	DESIGN UNITS	THIRD ANGLE PROJECTION
	∇=0 ∇=0 ∇=0	mm INCH 4 PLACES ± --- ± --- 3 PLACES ± --- ± --- 2 PLACES ± 0.13 ± --- 1 PLACE ± 0.25 ± --- 0 PLACE ± ±	MM ONLY	4:1	METRIC	DRAWN BY: JLAURX DATE: 4/22/09 CHECKED BY: JMENDOZA DATE: 2010/01/13 APPROVED BY: JBININGHAM DATE: 2010/01/14 MATERIAL NO. SEE CHART DRAFT WHERE APPLICABLE MUST REMAIN WITHIN DIMENSIONS
		ANGULAR ± 1/2°				TITLE: IMPACT 6 PAIR HEADER ORTHOGONAL ASSEMBLY GUIDE RIGHT SALES DWG molex DOCUMENT NO. SD-76285-003 SHEET NO. 4 OF 4
						THIS DRAWING CONTAINS INFORMATION THAT IS PROPRIETARY TO MOLEX INCORPORATED AND SHOULD NOT BE USED WITHOUT WRITTEN PERMISSION