

## Excellent Integrated System Limited

Stocking Distributor

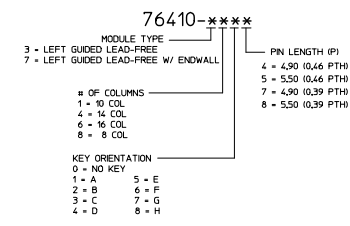
Click to view price, real time Inventory, Delivery & Lifecycle Information:

[Molex Connector Corporation](#)  
[0764103108](#)

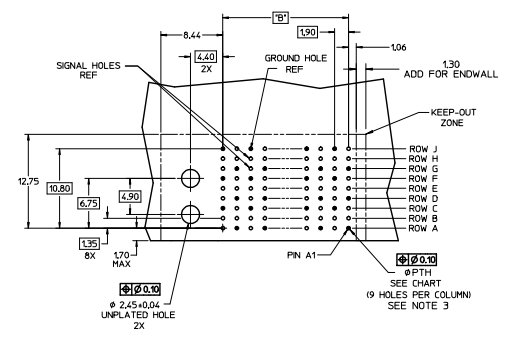
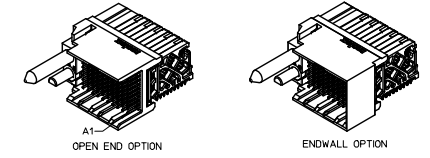
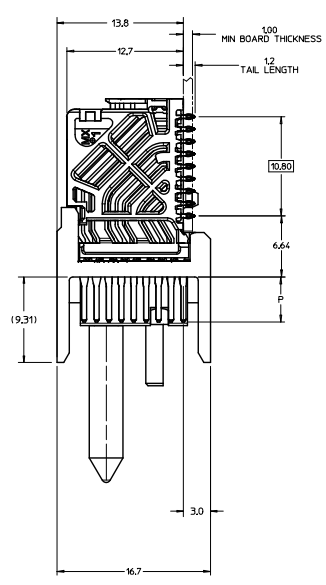
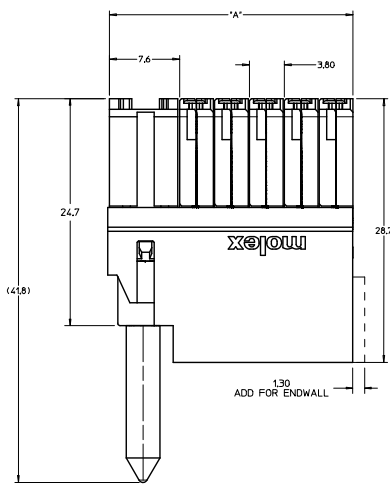
For any questions, you can email us directly:

[sales@integrated-circuit.com](mailto:sales@integrated-circuit.com)

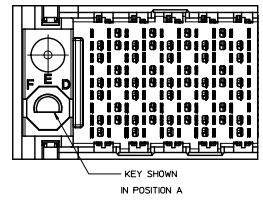
MATERIAL NUMBER	# OF COLUMNS	# OF DIFF. PAIR	DM 'A' MAX.	DM 'B'	PTH
76410-08**	8	24	22.80	13.30	0.46±0.05
76410-10**	10	30	26.60	17.50	0.46±0.05
76410-14**	14	42	34.20	24.70	0.46±0.05
76410-16**	16	48	38.00	28.50	0.46±0.05
76410-20**	20	60	48.40	36.50	0.39±0.05
76410-30**	30	90	72.60	54.75	0.39±0.05
76410-42**	42	126	102.00	74.25	0.39±0.05
76410-54**	54	162	136.20	97.50	0.39±0.05



- NOTES
- MATERIALS HOUSING - LUBRIC CRYSTAL POLYMER (LCP) GLASS-FILLED UL94V-0 THERMALLY - HIGH PERFORMANCE COPPER ALLOY
  - FINISH - ENAMEL SELECTIVE GOLD IN CONTACT AREA, SELECTIVE TIN ON PCB TAILS, NICKEL OVERLAP
  - REFER TO HOLES PRODUCT SPECIFICATION 07-0000-000 FOR PERFORMANCE SPECIFICATIONS AND ADDITIONAL FOR INFORMATION
  - EACH SIGNAL PAIR CONTAINS 3 COLUMNS OF TERMINALS
  - PRODUCT IS PACKAGED PER PIC-70073-702
  - THE PART CONFORMS TO CLASS B REQUIREMENTS OF ISO9001:2000 AND ISO14001:2004
  - REFER TO MOLEX SALES DRAWING SD-76410-004 FOR THE MATING RECEPTACLE AND ROUTING RECOMMENDATIONS
  - REFER TO HOLES FOR ROUTING GUIDE AS-76000-000 FOR THE MATING RECEPTACLE AND ROUTING RECOMMENDATIONS
  - MINIMUM BOARD THICKNESS IS 1.60mm (0.063")
  - MINIMUM BOARD THICKNESS WITH A SLIGHT RIGHT DAUGHTERCARD, 1.75mm (0.069")
  - REFER END OPTION DRAWING FOR CLARITY

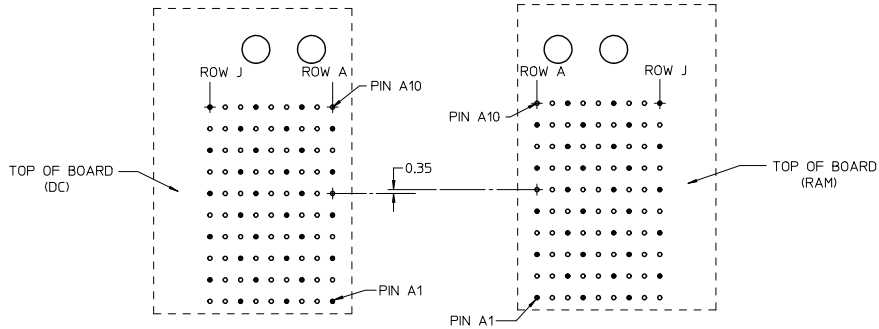
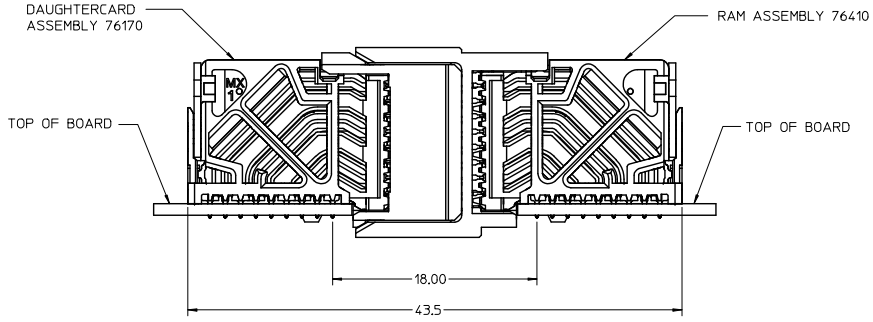


RAM HOLE PATTERN (CONNECTOR SIDE)



QUALITY SYMBOLS	GENERAL TOLERANCES (UNLESS SPECIFIED)		DIMENSION STYLE		SCALE	DESIGN UNITS	THIRD ANGLE PROJECTION
	mm	INCH	MM ONLY	INCH			
▽=0	4 PLACES	±.005	±.0005	JLAURX	5:1	METRIC	<b>IMPACT 3 PAIR RAM GUIDE LEFT SIGNAL MODULE SALES DRAWING</b>  <b>molex</b> DOCUMENT NO. SD-76410-002      SHEET NO. 1 OF 2
▽=0	3 PLACES	±.013	±.0005	JJONI AK	2008/10/21		
▽=0	2 PLACES	±.025	±.0005	APPROVED BY	DATE		
▽=0	1 PLACE	±.050	±.0005	JLAURX	2008/10/21		
▽=0	0 PLACE	±.100	±.0005	JLAURX	2008/10/21		
DRAFT WHERE APPLICABLE MUST REMAIN WITHIN DIMENSIONS			MATERIAL NO. SEE TABLE		SIZE D THIS DRAWING CONTAINS INFORMATION THAT IS PROPRIETARY TO MOLEX INCORPORATED AND SHOULD NOT BE USED WITHOUT WRITTEN PERMISSION		

COPLANAR APPLICATION



COPLANAR MATED SIGNAL PATHS



SEE SHEET 1 EC NO: UCP2016-0079 DRAWN BY: MILLER 2015/07/07 CHKD: APPR: TELD 2015/07/07 REV	QUALITY SYMBOLS	GENERAL TOLERANCES (UNLESS SPECIFIED)	DIMENSION STYLE	SCALE	DESIGN UNITS	THIRD ANGLE PROJECTION
	$\nabla=0$ $\nabla=0$ $\nabla=0$	mm INCH 4 PLACES ± --- ± --- 3 PLACES ± --- ± --- 2 PLACES ± 0.13 ± --- 1 PLACE ± 0.25 ± --- 0 PLACE ± ±	MM ONLY	4:1	METRIC	DRAWN BY: JLAURX DATE: 2008/10/21 CHECKED BY: JJONIAK DATE: 2008/10/21 APPROVED BY: JLAURX DATE: 2008/10/21
	ANGULAR ±1/2° DRAFT WHERE APPLICABLE MUST REMAIN WITHIN DIMENSIONS	MATERIAL NO. SEE TABLE	TITLE IMPACT 3 PAIR RAM GUIDE LEFT SIGNAL MODULE SALES DRAWING	DOCUMENT NO. SD-76410-002	SHEET NO. 2 OF 2	
	THIS DRAWING CONTAINS INFORMATION THAT IS PROPRIETARY TO MOLEX INCORPORATED AND SHOULD NOT BE USED WITHOUT WRITTEN PERMISSION	<b>molex</b>				