

Excellent Integrated System Limited

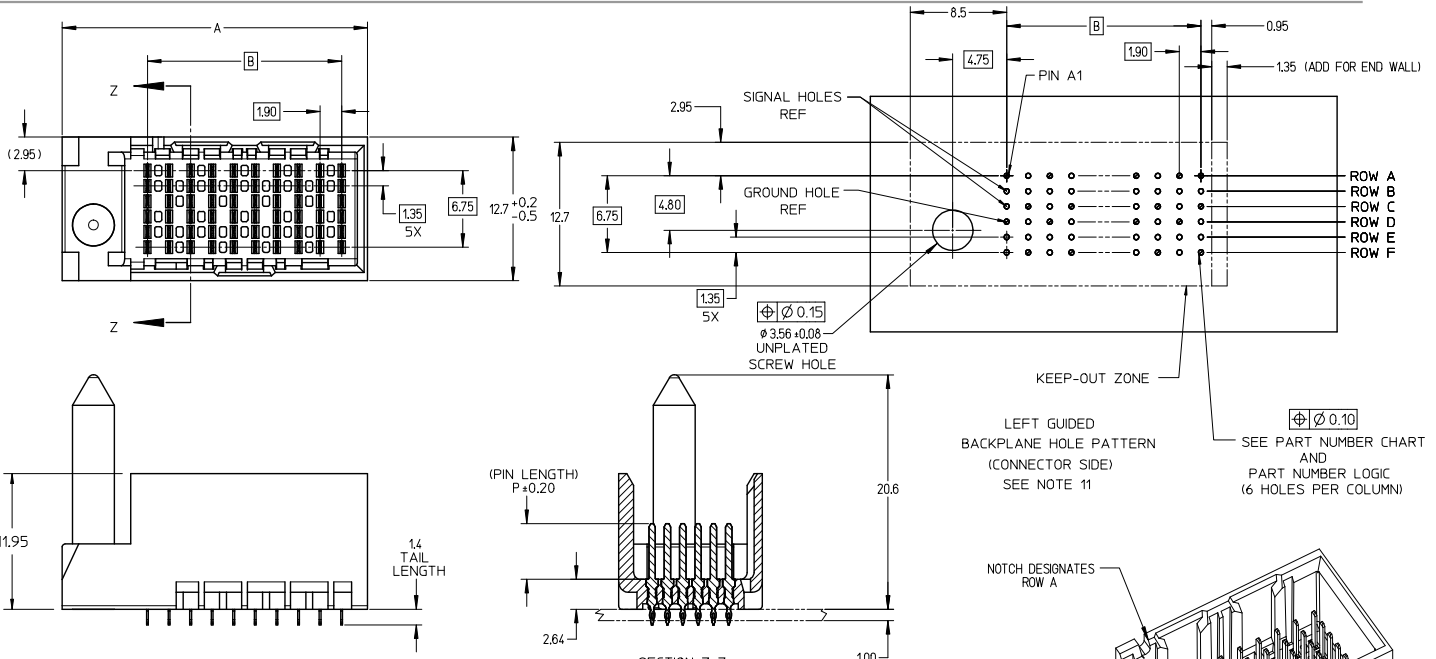
Stocking Distributor

Click to view price, real time Inventory, Delivery & Lifecycle Information:

[Molex Connector Corporation](#)
[0764553106](#)

For any questions, you can email us directly:

sales@integrated-circuit.com

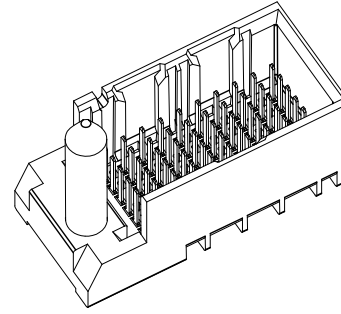


- NOTES:
- MATERIALS: HOUSING - LIQUID CRYSTAL POLYMER (LCP)
GLASS-FILLED, UL94V-0
TERMINALS - HIGH PERFORMANCE COPPER ALLOY
 - FINISH: 30µ MIN GOLD IN CONTACT AREA.
SELECTIVE TIN ON PCB TAILS.
NICKEL OVERALL.
 - REFER TO MOLEX PRODUCT SPECIFICATION PS-76060-999 FOR PERFORMANCE SPECIFICATIONS AND ADDITIONAL PCB INFORMATION.
 - THIS PART CONFORMS TO CLASS B REQUIREMENTS OF MOLEX COSMETIC SPEC PS-45499-002.
 - PACKAGE PER: PK-70873-761.
 - SEE SHEETS 2 & 3 FOR PART NUMBERS AND BOARD RELATIONSHIPS.
 - MATES WITH IMPACT DC SERIES NO. 76460.
 - KEEP OUT ZONE FOR BP HOUSING LENGTH INCLUDES AN ADDITIONAL 1.0MM TO ACCOMMODATE FOR SPACE REQUIRED BY DC FRONT HOUSING.
 - REFER TO MOLEX PCB ROUTING GUIDE AS-76060-990 FOR ANTIPAD AND ROUTING RECOMMENDATIONS.
 - CONNECTORS SUPPLIED WITH A 2-56 UNC-2A SCREW.
 - THESE DIMENSIONS REPRESENT THE AREA NEEDED TO ACCOMMODATE CONNECTOR INSERTION AND REPAIR ON THE PC BOARD. THIS IS REFERRED TO AS THE "CONNECTOR KEEP OUT ZONE" AND DOES NOT REPRESENT THE ACTUAL PERIMETER OF THE CONNECTOR. WHEN LAYING OUT A PC BOARD FOR CONNECTORS STACKED TOGETHER, USE A 1.9mm PROGRESSION.

CONVERT TO LEAD-FREE EC NO: UCP2015-2078 DRAWN BY: IBARRA 2012/12/17 CHECKED BY: INGHAM 2012/12/18 APPROVED BY: MILLER 2012/12/31 G REV	QUALITY SYMBOLS	GENERAL TOLERANCES (UNLESS SPECIFIED)	DIMENSION STYLE	SCALE	DESIGN UNITS	THIRD ANGLE PROJECTION
	▽=0	mm INCH	MM ONLY	4:1	METRIC	
	▽=0.1	4 PLACES ± --- ± ---	DRAWN BY: MSANDBERG DATE: 2007/06/18	TITLE IMPACT 2 PAIR HEADER LEFT GUIDED ASSEMBLY SALES DRAWING molex MATERIAL NO. SEE TABLE DOCUMENT NO. SD-76455-002 SHEET NO. 1 OF 3		
	▽=0.2	3 PLACES ± --- ± ---	CHECKED BY: JLAURX DATE: 2007/06/18			
	▽=0.3	2 PLACES ± 0.13 ± ---	APPROVED BY: JLAURX DATE: 2010/10/15			
▽=0.4	1 PLACE ± 0.25 ± ---					
▽=0.5	0 PLACE ± --- ± ---					
	ANGULAR ± 1/2°	DRAFT WHERE APPLICABLE MUST REMAIN WITHIN DIMENSIONS	SIZE C	THIS DRAWING CONTAINS INFORMATION THAT IS PROPRIETARY TO MOLEX INCORPORATED AND SHOULD NOT BE USED WITHOUT WRITTEN PERMISSION		

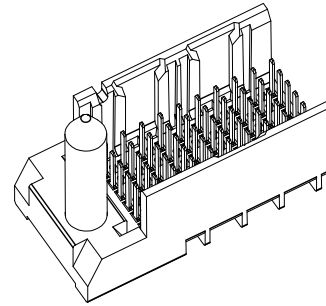
PART NUMBER TABLE

MATERIAL NUMBER	# OF COLUMNS	# OF DIFF PAIR	DIM 'A'	DIM 'B'	GUIDE LEFT END WALL OPTION
76455-*10*	10	20	26.9	17.10	
76455-*60*	16	32	38.3	28.50	



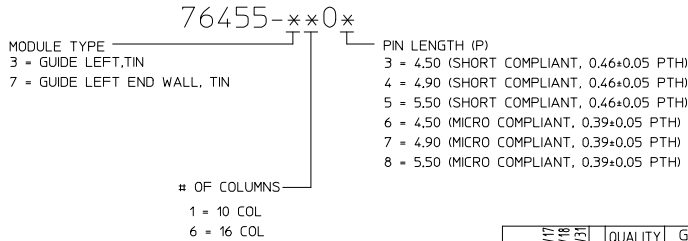
GUIDE LEFT
END WALL
OPTION

MATERIAL NUMBER	# OF COLUMNS	# OF DIFF PAIR	DIM 'A'	DIM 'B'	GUIDE LEFT OPEN WALL OPTION
76455-*10*	10	20	25.5	17.10	
76455-*60*	16	32	36.9	28.50	



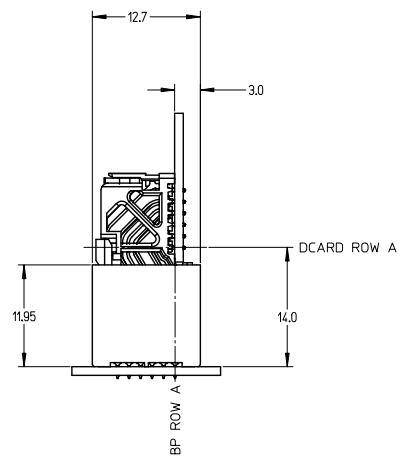
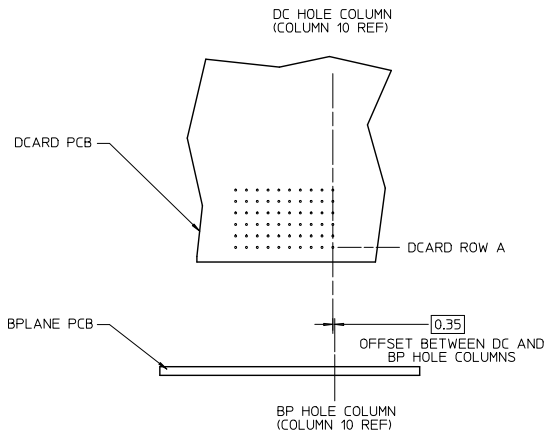
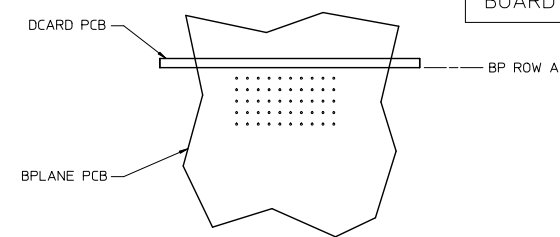
GUIDE LEFT
OPEN WALL
OPTION

PART NUMBER LOGIC



SEE SHEET 1 IEC NO: UCPC2019-2078 2012/12/17 DRAWN: TIBARRA 2012/12/18 CHKD: BINGHAM 2012/12/18 APPR: MILLER 2012/12/31	QUALITY SYMBOLS ∇=0 ∇=0 ∇=0	GENERAL TOLERANCES (UNLESS SPECIFIED)		DIMENSION STYLE MM ONLY		SCALE 4:1	DESIGN UNITS METRIC	THIRD ANGLE PROJECTION	
		4 PLACES ± --- ± ---		DRAWN BY MSANDBERG		DATE 2007/06/18	TITLE IMPACT 2 PAIR HEADER LEFT GUIDED ASSEMBLY SALES DRAWING 		
		3 PLACES ± --- ± ---		CHECKED BY JLAURX		DATE 2007/06/18			
		2 PLACES ± 0.13 ± ---		APPROVED BY JLAURX		DATE 2010/10/15			
1 PLACE ± 0.25 ± ---		MATERIAL NO. SEE TABLE		DOCUMENT NO. SD-76455-002					
0 PLACE ± --- ± ---		ANGULAR ±1/2°		DRAFT WHERE APPLICABLE MUST REMAIN WITHIN DIMENSIONS		SHEET NO. 2 OF 3			

IMPACT 2 PAIR
BOARD RELATIONSHIPS



SEE SHEET 1 EC NO: UCF2019-2078 DRAWN BY: IBARRA 2012/12/11 CHECKED BY: INGRAM 2012/12/18 APPROVED BY: MILLER 2012/12/31	QUALITY SYMBOLS ∇=0 ∇=0 ∇=0	GENERAL TOLERANCES (UNLESS SPECIFIED)		DIMENSION STYLE MM ONLY		SCALE 2:1	DESIGN UNITS METRIC	THIRD ANGLE PROJECTION
		4 PLACES ± --- ± --- 3 PLACES ± --- ± --- 2 PLACES ± 0.13 ± --- 1 PLACE ± 0.25 ± --- 0 PLACE ± --- ± ---	mm INCH ± --- ± --- ± --- ± --- ± --- ± --- ± --- ± ---	DRAWN BY MSANDBERG	DATE 2007/06/18	TITLE IMPACT 2 PAIR HEADER LEFT GUIDED ASSEMBLY SALES DRAWING		molex
REV G	DESCRIPTION	ANGULAR ± 1/2° DRAFT WHERE APPLICABLE MUST REMAIN WITHIN DIMENSIONS		MATERIAL NO. SEE TABLE	DATE 2010/10/15	DOCUMENT NO. SD-76455-002	SHEET NO. 3 OF 3	THIS DRAWING CONTAINS INFORMATION THAT IS PROPRIETARY TO MOLEX INCORPORATED AND SHOULD NOT BE USED WITHOUT WRITTEN PERMISSION