

## Excellent Integrated System Limited

Stocking Distributor

Click to view price, real time Inventory, Delivery & Lifecycle Information:

[Molex Connector Corporation](#)  
[0764553107](#)

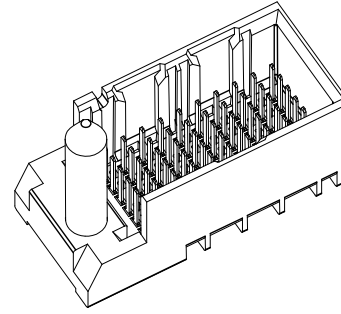
For any questions, you can email us directly:

[sales@integrated-circuit.com](mailto:sales@integrated-circuit.com)



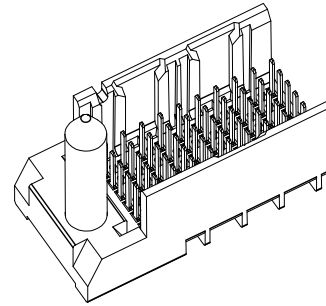
PART NUMBER TABLE

MATERIAL NUMBER	# OF COLUMNS	# OF DIFF PAIR	DIM 'A'	DIM 'B'	GUIDE LEFT END WALL OPTION
76455-*10*	10	20	26.9	17.10	
76455-*60*	16	32	38.3	28.50	



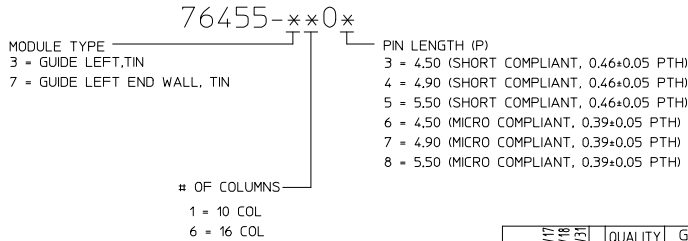
GUIDE LEFT  
END WALL  
OPTION

MATERIAL NUMBER	# OF COLUMNS	# OF DIFF PAIR	DIM 'A'	DIM 'B'	GUIDE LEFT OPEN WALL OPTION
76455-*10*	10	20	25.5	17.10	
76455-*60*	16	32	36.9	28.50	



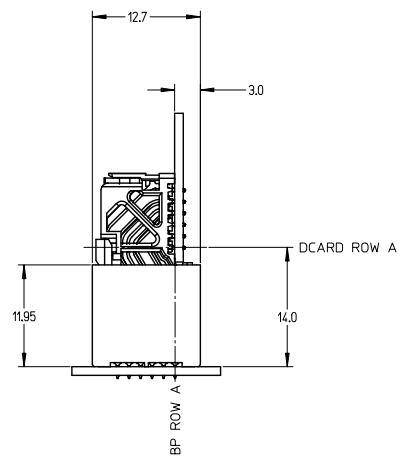
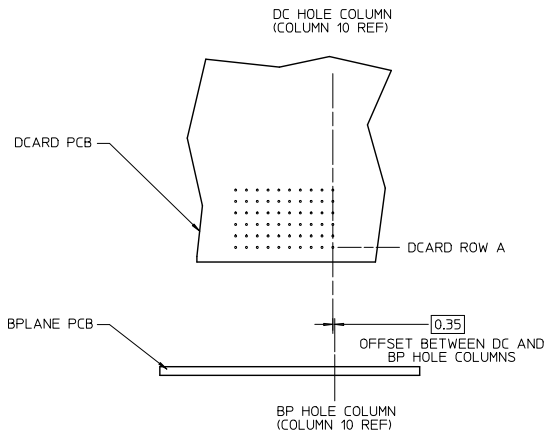
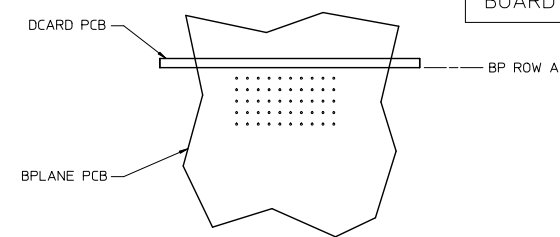
GUIDE LEFT  
OPEN WALL  
OPTION

PART NUMBER LOGIC



SEE SHEET 1 IEC NO: UCPC2019-2078 2012/12/17 DRAWN BY: BARBA 2012/12/18 CHKD BY: NGHAM 2012/12/18 APPR: MILLER 2012/12/18 REV	QUALITY SYMBOLS	GENERAL TOLERANCES (UNLESS SPECIFIED)	DIMENSION STYLE	SCALE	DESIGN UNITS	THIRD ANGLE PROJECTION
	4 PLACES ± --- ± --- 3 PLACES ± --- ± --- 2 PLACES ± 0.13 ± --- 1 PLACE ± 0.25 ± --- 0 PLACE ± --- ± ---	mm INCH DRAWN BY: MSANDBERG DATE: 2007/06/18 CHECKED BY: JLAURX DATE: 2007/06/18 APPROVED BY: JLAURX DATE: 2010/10/15	MM ONLY	4:1	METRIC	TITLE: IMPACT 2 PAIR HEADER LEFT GUIDED ASSEMBLY SALES DRAWING <b>molex</b>
	ANGULAR ±1/2°	MATERIAL NO.	DOCUMENT NO.	SHEET NO.		
	DRAFT WHERE APPLICABLE MUST REMAIN WITHIN DIMENSIONS	SEE TABLE	SD-76455-002	2 OF 3		

**IMPACT 2 PAIR  
BOARD RELATIONSHIPS**



SEE SHEET 1 EC NO: UCF2019-2078 DRAWN BY: IBARRA 2012/12/11 CHECKED BY: INGRAM 2012/12/18 APPROVED BY: MILLER 2012/12/31	QUALITY SYMBOLS ∇=0 ∇=0 ∇=0	GENERAL TOLERANCES (UNLESS SPECIFIED)		DIMENSION STYLE MM ONLY		SCALE 2:1	DESIGN UNITS METRIC	THIRD ANGLE PROJECTION
		4 PLACES ± --- ± --- 3 PLACES ± --- ± --- 2 PLACES ± 0.13 ± --- 1 PLACE ± 0.25 ± --- 0 PLACE ± --- ± ---	mm INCH --- --- --- --- --- --- --- --- --- ---	DRAWN BY MSANDBERG	DATE 2007/06/18	TITLE IMPACT 2 PAIR HEADER LEFT GUIDED ASSEMBLY SALES DRAWING		
REV G	DESCRIPTION	ANGULAR ± 1/2°		MATERIAL NO. SEE TABLE		DOCUMENT NO. SD-76455-002		SHEET NO. 3 OF 3
		DRAFT WHERE APPLICABLE MUST REMAIN WITHIN DIMENSIONS		THIS DRAWING CONTAINS INFORMATION THAT IS PROPRIETARY TO MOLEX INCORPORATED AND SHOULD NOT BE USED WITHOUT WRITTEN PERMISSION		molex		