

Excellent Integrated System Limited

Stocking Distributor

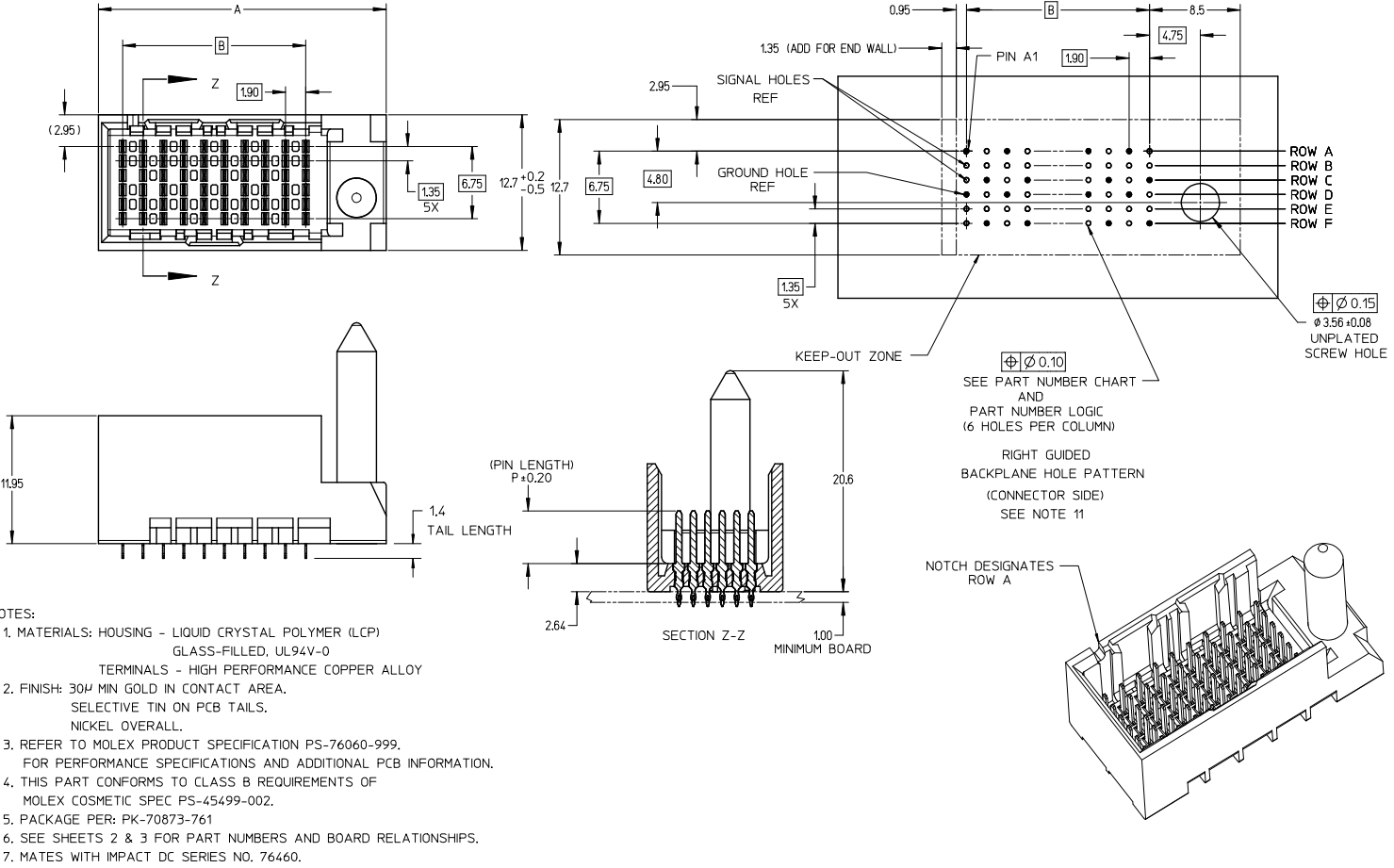
Click to view price, real time Inventory, Delivery & Lifecycle Information:

[Molex Connector Corporation](#)
[0764555107](#)

For any questions, you can email us directly:

sales@integrated-circuit.com

13 12 11 10 9 8 7 6 5 4 3 2 1



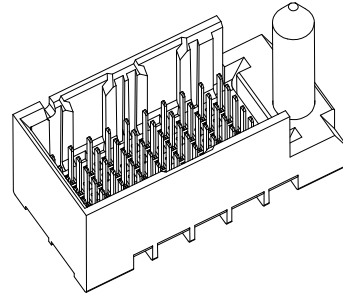
- NOTES:
1. MATERIALS: HOUSING - LIQUID CRYSTAL POLYMER (LCP) GLASS-FILLED, UL94V-0
TERMINALS - HIGH PERFORMANCE COPPER ALLOY
 2. FINISH: 30µ MIN GOLD IN CONTACT AREA.
SELECTIVE TIN ON PCB TAILS.
NICKEL OVERALL.
 3. REFER TO MOLEX PRODUCT SPECIFICATION PS-76060-999.
FOR PERFORMANCE SPECIFICATIONS AND ADDITIONAL PCB INFORMATION.
 4. THIS PART CONFORMS TO CLASS B REQUIREMENTS OF
MOLEX COSMETIC SPEC PS-45499-002.
 5. PACKAGE PER: PK-70873-761
 6. SEE SHEETS 2 & 3 FOR PART NUMBERS AND BOARD RELATIONSHIPS.
 7. MATES WITH IMPACT DC SERIES NO. 76460.
 8. KEEP OUT ZONE FOR BP HOUSING LENGTH INCLUDES AN ADDITIONAL 1.0MM
TO ACCOMMODATE FOR SPACE REQUIRED BY DC FRONT HOUSING.
 9. REFER TO MOLEX PCB ROUTING GUIDE AS-76060-990 FOR ANTIPAD AND
ROUTING RECOMMENDATIONS.
 10. CONNECTORS SUPPLIED WITH A 2-56 UNC-2A SCREW.
 11. *THESE DIMENSIONS REPRESENT THE AREA NEEDED TO ACCOMMODATE CONNECTOR
INSERTION AND REPAIR ON THE PC BOARD. THIS IS REFERRED TO AS THE
"CONNECTOR KEEP OUT ZONE" AND DOES NOT REPRESENT THE ACTUAL PERIMETER
OF THE CONNECTOR. WHEN LAYING OUT A PC BOARD FOR CONNECTORS STACKED
TOGETHER, USE A 1.9mm PROGRESSION.*

CONVERT TO LEAD-FREE EC NO: UCP2015-2078 DRAWN BY: BARRA 2012/12/17 CHKD BY: INGRAM 2012/12/18 APPR: MILLER 2012/12/21 G REV	QUALITY SYMBOLS 	GENERAL TOLERANCES (UNLESS SPECIFIED)		DIMENSION STYLE		SCALE	DESIGN UNITS	THIRD ANGLE PROJECTION
		mm	INCH	MM ONLY		4:1	METRIC	
		4 PLACES ± --- ± --- 3 PLACES ± --- ± --- 2 PLACES ± 0.13 ± --- 1 PLACE ± 0.25 ± --- 0 PLACE ± --- ± ---		DRAWN BY: MSANDBERG DATE: 2008/03/12 CHECKED BY: JLAURX DATE: 2008/03/12 APPROVED BY: JLAURX DATE: 2010/10/15		TITLE		
ANGULAR ±1/2° DRAFT WHERE APPLICABLE MUST REMAIN WITHIN DIMENSIONS		MATERIAL NO.		DOCUMENT NO.		SHEET NO.		
		SEE TABLE		SD-76455-003		1 OF 3		
THIS DRAWING CONTAINS INFORMATION THAT IS PROPRIETARY TO MOLEX INCORPORATED AND SHOULD NOT BE USED WITHOUT WRITTEN PERMISSION								

ib_frame_C_P_AM_T Rev. G 2012/01/11 12 11 10 9 8 7 6 5 4 3 2 1

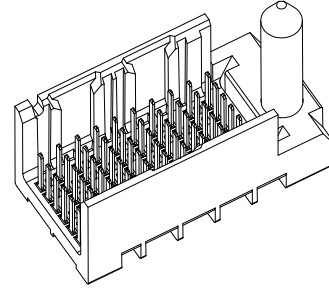
PART NUMBER TABLE

MATERIAL NUMBER	# OF COLUMNS	# OF DIFF PAIR	DIM 'A'	DIM 'B'	GUIDE RIGHT END WALL OPTION
76455-*10*	10	20	26.9	17.10	
76455-*60*	16	32	38.3	28.50	



GUIDE RIGHT
END WALL
OPTION

MATERIAL NUMBER	# OF COLUMNS	# OF DIFF PAIR	DIM 'A'	DIM 'B'	GUIDE RIGHT OPEN WALL OPTION
76455-*10*	10	20	25.5	17.10	
76455-*60*	16	32	36.9	28.50	



GUIDE RIGHT
OPEN WALL
OPTION

PART NUMBER LOGIC

76455-* * 0 *

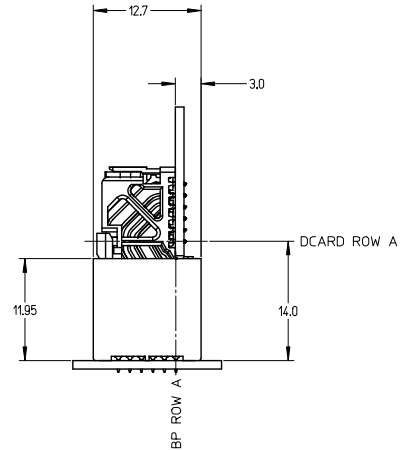
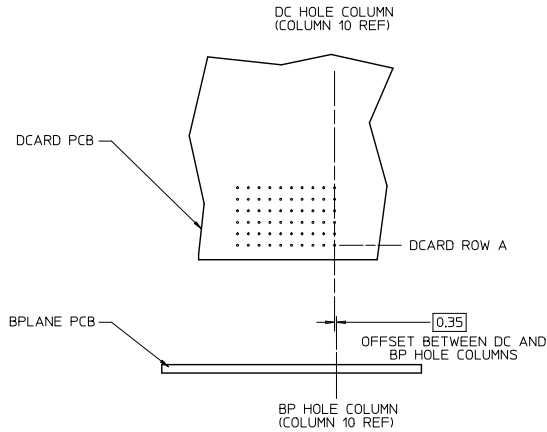
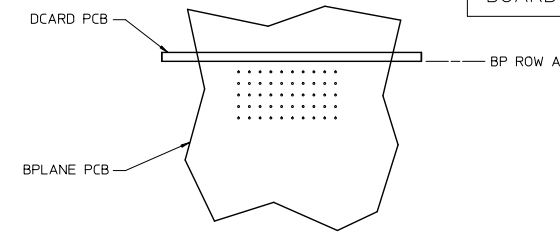
MODULE TYPE
5 = GUIDE RIGHT, TIN
9 = GUIDE RIGHT END WALL, TIN

PIN LENGTH (P)
3 = 4.50 (SHORT COMPLIANT, 0.46±0.05 PTH)
4 = 4.90 (SHORT COMPLIANT, 0.46±0.05 PTH)
5 = 5.50 (SHORT COMPLIANT, 0.46±0.05 PTH)
6 = 4.50 (MICRO COMPLIANT, 0.39±0.05 PTH)
7 = 4.90 (MICRO COMPLIANT, 0.39±0.05 PTH)
8 = 5.50 (MICRO COMPLIANT, 0.39±0.05 PTH)

OF COLUMNS
1 = 10 COL
6 = 16 COL

SEE SHEET 1 EC NO: UCP2015-2078 2012/12/17 DRAWN BY: IBARRA 2012/12/18 CHECKED BY: INGHAM 2012/12/21 APPROVED BY: MILLER 2012/12/21	QUALITY SYMBOLS ∇=0 ∇=0 ∇=0	GENERAL TOLERANCES (UNLESS SPECIFIED)		DIMENSION STYLE MM ONLY		SCALE 4:1	DESIGN UNITS METRIC	THIRD ANGLE PROJECTION		
		4 PLACES ± --- ± ---	3 PLACES ± --- ± ---	2 PLACES ± 0.13 ± ---	1 PLACE ± 0.25 ± ---	0 PLACE ± --- ± ---	DRAWN BY: MSANDBERG DATE: 2008/03/12		TITLE IMPACT 2 PAIR HEADER RIGHT GUIDED ASSEMBLY SALES DRAWING 	
		CHECKED BY: JLAURX DATE: 2008/03/12		APPROVED BY: JLAURX DATE: 2010/10/15		MATERIAL NO.		DOCUMENT NO.		SHEET NO.
		ANGULAR ± 1/2°		SEE TABLE		SD-76455-003		2 OF 3		
DRAFT WHERE APPLICABLE MUST REMAIN WITHIN DIMENSIONS		THIS DRAWING CONTAINS INFORMATION THAT IS PROPRIETARY TO MOLEX INCORPORATED AND SHOULD NOT BE USED WITHOUT WRITTEN PERMISSION								

IMPACT 2 PAIR
BOARD RELATIONSHIPS



SEE SHEET 1 EC. NO: UCP2013-2078 DRAWN BY: BARRA 2012/12/17 CHECKED BY: INDIAN 2012/12/18 APPR: MILLER 2012/12/21	QUALITY SYMBOLS ∇=0 ∇=0 ∇=0	GENERAL TOLERANCES (UNLESS SPECIFIED)		DIMENSION STYLE MM ONLY		SCALE 2:1	DESIGN UNITS METRIC	THIRD ANGLE PROJECTION
		4 PLACES ± --- ± --- 3 PLACES ± --- ± --- 2 PLACES ± 0.13 ± --- 1 PLACE ± 0.25 ± --- 0 PLACE ± --- ± ---	mm INCH --- --- --- --- --- --- --- --- --- ---	DRAWN BY MSANDBERG	DATE 2008/03/12	TITLE IMPACT 2 PAIR HEADER RIGHT GUIDED ASSEMBLY SALES DRAWING		molex
REV G	DESCRIPTION	ANGULAR ± 1/2° DRAFT WHERE APPLICABLE MUST REMAIN WITHIN DIMENSIONS		MATERIAL NO. SEE TABLE	DATE 2010/10/15	OCCUPENT NO. SD-76455-003	SHEET NO. 3 OF 3	THIS DRAWING CONTAINS INFORMATION THAT IS PROPRIETARY TO MOLEX INCORPORATED AND SHOULD NOT BE USED WITHOUT WRITTEN PERMISSION