

Excellent Integrated System Limited

Stocking Distributor

Click to view price, real time Inventory, Delivery & Lifecycle Information:

[Molex Connector Corporation](#)
[0765001107](#)

For any questions, you can email us directly:

sales@integrated-circuit.com

MATERIAL NUMBER	# OF COLUMNS	# OF DIFF PAIR	DM 'A' MAX	DM 'B'	PTH ϕ
76500-8**	8	32	15.20	13.30	0.46±0.05
76500-16**	10	40	19.00	17.10	0.46±0.05
76500-6**	16	64	30.40	28.50	0.46±0.05
76500-8**	8	32	15.20	13.30	0.39±0.05
76500-16**	10	40	19.00	17.10	0.39±0.05
76500-6**	16	64	30.40	28.50	0.39±0.05

76500-****

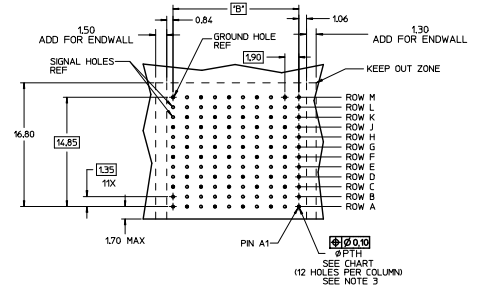
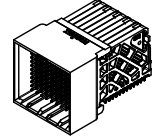
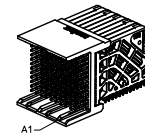
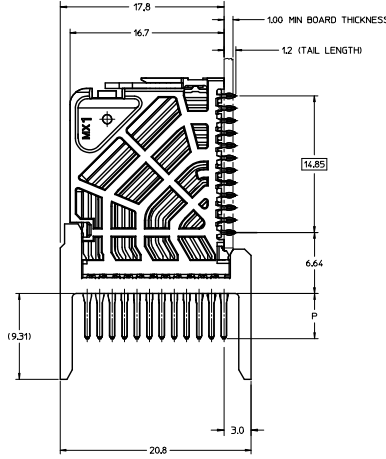
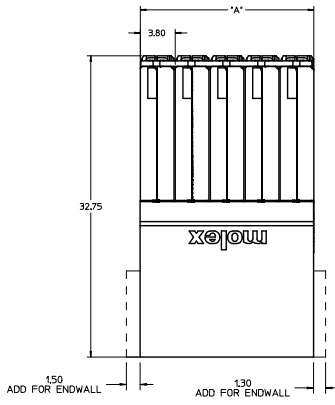
MODULE TYPE
1 = UNGUIDED, LEAD-FREE

PIN LENGTH (P)
4 = 4.90 (0.46 PTH)
5 = 5.50 (0.66 PTH)
7 = 4.90 (0.39 PTH)
8 = 5.50 (0.39 PTH)

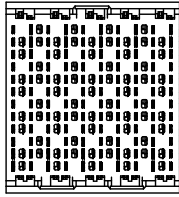
OF COLUMNS
1 = 10 COLUMNS
6 = 16 COLUMNS
8 = 8 COLUMNS

END WALL OPTIONS
0 = OPEN ENDS
1 = LEFT ENDWALL
2 = DUAL ENDWALL
3 = RIGHT ENDWALL

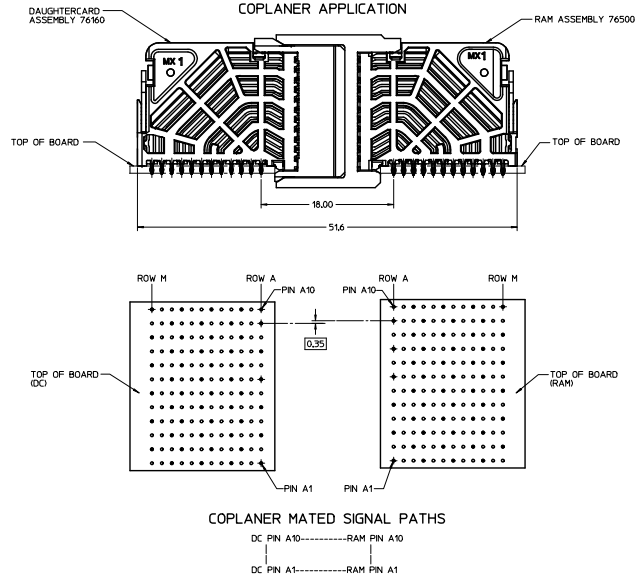
- NOTES:
1. MATERIALS: HOUSING - LIQUID CRYSTAL POLYMER (LCP), GLASS-FILLED UL94V-0 TERMINALS - HIGH PERFORMANCE COPPER ALLOY
 2. FINISH: 30MIN SELECTIVE GOLD IN CONTACT AREA, SELECTIVE TIN ON PCB TAILS, NICKEL OVERALL.
 3. REFER TO MOLEX PRODUCT SPECIFICATION PS-76060-999 FOR PERFORMANCE SPECIFICATIONS AND ADDITIONAL PCB INFORMATION.
 4. EACH SIGNAL WAFER CONTAINS 2 COLUMNS OF TERMINALS.
 5. PRODUCT IS PACKAGED PER PK-70873-041.
 6. THIS PART CONFORMS TO CLASS B REQUIREMENTS OF COSMETIC SPEC PS-45499-002.
 7. REFER TO MOLEX SALES DRAWING SD-76160-001 FOR THE MATING RECEPTABLES.
 8. REFER TO MOLEX PCB ROUTING GUIDE AS-76060-990 FOR ANTIPAD AND ROUTING RECOMMENDATIONS.



RAM HOLE PATTERN (CONNECTOR SIDE)



LAYOUT DRAM SIGNAL LAYOUT DEC NO. 0672016-6729 DRAWN: GONZALEZ01 20/06/28 CHKD: APPR: EL 20/05/20/20 REV:	QUALITY SYMBOLS ∇=0 ∇=0 ∇=0	GENERAL TOLERANCES (UNLESS SPECIFIED) mm INCH 4 PLACES ±--- ±--- 3 PLACES ±--- ±.005 2 PLACES ±0.13 ±.010 1 PLACE ±0.25 ±--- 0 PLACE --- ±---	DIMENSION STYLE MM ONLY DRAWN BY: JOUILLES CHECKED BY: JL AURX APPROVED BY: JL AURX DATE: 2008/11/24 DATE: 2008/11/25 DATE: 2008/11/26	SCALE: 5:1 DESIGN UNITS: METRIC THIRD ANGLE PROJECTION	TITLE: IMPACT 4 PAIR RAM UNGUIDED SIGNAL MODULE SALES DRAWING	MATERIAL NO: SEE TABLE	DOCUMENT NO: SD-76500-001	SHEET NO: 1 OF 2
	DRAFT WHERE APPLICABLE MUST REMAIN WITHIN DIMENSIONS	THIS DRAWING CONTAINS INFORMATION THAT IS PROPRIETARY TO MOLEX INCORPORATED AND SHOULD NOT BE USED WITHOUT WRITTEN PERMISSION						



SEE SHEET 1 DEC. NO. 117204-4979 DRAWN: JGONZALEZ01 2014/05/28 CHECK: JAPPELLO 2015/01/29 DZ	QUALITY SYMBOLS	GENERAL TOLERANCES (UNLESS SPECIFIED)	DIMENSION STYLE	SCALE	DESIGN UNITS	THIRD ANGLE PROJECTION
	4 PLACES ±--- ±--- 3 PLACES ±--- ±0.05 2 PLACES ±0.13 ±0.10 1 PLACE ±0.25 ±--- 0 PLACE ±--- ±---	mm INCH ±--- ±--- ±0.05 ±0.05 ±0.13 ±0.10 ±0.25 ±--- ±--- ±---	MM ONLY DRAWN BY DATE JLAURX 2008/11/24 CHECKED BY DATE JLAURX 2008/11/25 APPROVED BY DATE JLAURX 2008/11/26	4:1	METRIC	TITLE IMPACT 4 PAIR RAM UNGUIDED SIGNAL MODULE SALES DRAWING molex
DRAFT WHERE APPLICABLE MUST REMAIN WITHIN DIMENSIONS		THIS DRAWING CONTAINS INFORMATION THAT IS PROPRIETARY TO MOLEX INCORPORATED AND SHOULD NOT BE USED WITHOUT WRITTEN PERMISSION				