

Excellent Integrated System Limited

Stocking Distributor

Click to view price, real time Inventory, Delivery & Lifecycle Information:

[Molex Connector Corporation](#)
[0765001627](#)

For any questions, you can email us directly:
sales@integrated-circuit.com

MATERIAL NUMBER	# OF COLUMNS	# OF DIFF PAIR	DM 'A' MAX	DM 'B'	PTH ϕ
76500-8**	8	32	15.20	13.30	0.46±0.05
76500-16**	10	40	19.00	17.10	0.46±0.05
76500-6**	16	64	30.40	28.50	0.46±0.05
76500-8**	8	32	15.20	13.30	0.39±0.05
76500-16**	10	40	19.00	17.10	0.39±0.05
76500-6**	16	64	30.40	28.50	0.39±0.05

76500-****

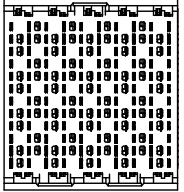
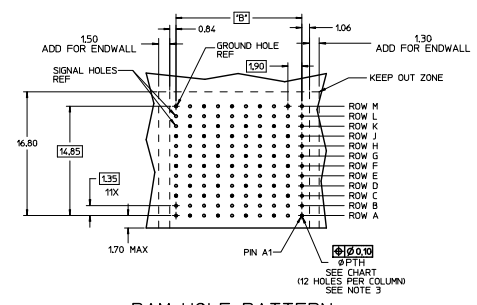
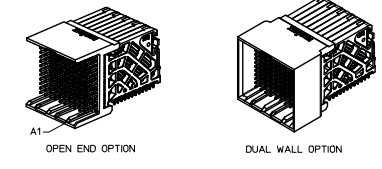
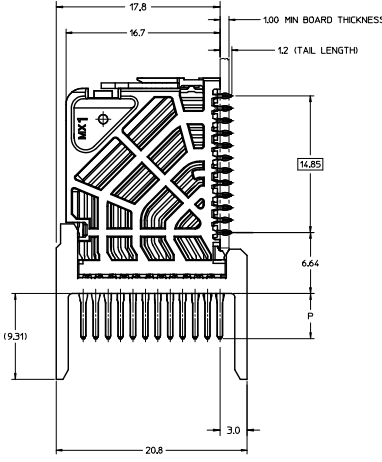
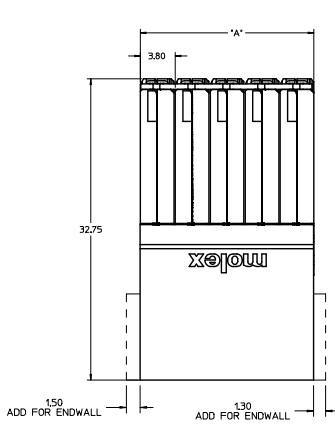
MODULE TYPE
1 = UNGUIDED, LEAD-FREE

PIN LENGTH (P)
4 = 4.90 (0.46 PTH)
5 = 5.50 (0.66 PTH)
7 = 4.90 (0.39 PTH)
8 = 5.50 (0.39 PTH)

OF COLUMNS
1 = 10 COLUMNS
6 = 16 COLUMNS
8 = 8 COLUMNS

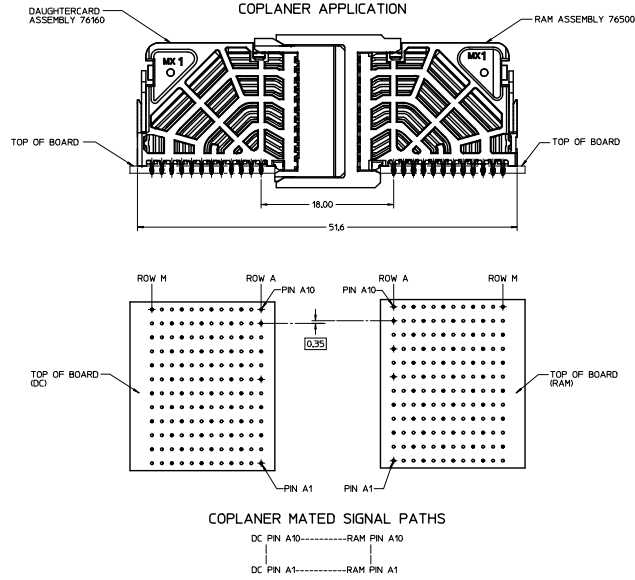
END WALL OPTIONS
0 = OPEN ENDS
1 = LEFT ENDWALL
2 = DUAL ENDWALL
3 = RIGHT ENDWALL

- NOTES:
1. MATERIALS: HOUSING - LIQUID CRYSTAL POLYMER (LCP), GLASS-FILLED UL94V-0 TERMINALS - HIGH PERFORMANCE COPPER ALLOY
 2. FINISH: 30MIN SELECTIVE GOLD IN CONTACT AREA, SELECTIVE TIN ON PCB TAILS, NICKEL OVERALL.
 3. REFER TO MOLEX PRODUCT SPECIFICATION PS-76060-999 FOR PERFORMANCE SPECIFICATIONS AND ADDITIONAL PCB INFORMATION.
 4. EACH SIGNAL WAFER CONTAINS 2 COLUMNS OF TERMINALS.
 5. PRODUCT IS PACKAGED PER PK-70873-041.
 6. THIS PART CONFORMS TO CLASS B REQUIREMENTS OF COSMETIC SPEC PS-45499-002.
 7. REFER TO MOLEX SALES DRAWING SD-76160-001 FOR THE MATING RECEPTABLES.
 8. REFER TO MOLEX PCB ROUTING GUIDE AS-76060-990 FOR ANTIPAD AND ROUTING RECOMMENDATIONS.



RAM HOLE PATTERN (CONNECTOR SIDE)

LAYOUT DRAMING CELL LAYOUT REC NO: LEP72014-6779 DRAWN: GONZALEZ01 20/06/28 CHKD: APPRETEL 20/06/28 DZ	QUALITY SYMBOLS	GENERAL TOLERANCES (UNLESS SPECIFIED)	DIMENSION STYLE	SCALE	DESIGN UNITS	THIRD ANGLE PROJECTION
	$\nabla=0$ $\nabla=0$ $\nabla=0$	mm INCH 4 PLACES ±--- ±--- 3 PLACES ±--- ±.005 2 PLACES ±0.13 ±.010 1 PLACE ±0.25 ±--- 0 PLACE ±--- ±---	MM ONLY	5:1	METRIC	
		DRAWN BY: JOUILLES 2008/11/24 CHECKED BY: JLAURX 2008/11/25 APPROVED BY: JLAURX 2008/11/26				
		MATERIAL NO: SEE TABLE DRAFT WHERE APPLICABLE MUST REMAIN WITHIN DIMENSIONS				TITLE: IMPACT 4 PAIR RAM UNGUIDED SIGNAL MODULE SALES DRAWING DOCUMENT NO: SD-76500-001 SHEET NO: 1 OF 2



SEE SHEET 1 DEC. NO. 147204-4979 DRAWN: JGONZALEZ01 2014/05/28 CHECK: JAPPELLO 2015/01/29 DZ	QUALITY SYMBOLS	GENERAL TOLERANCES (UNLESS SPECIFIED)	DIMENSION STYLE	SCALE	DESIGN UNITS	THIRD ANGLE PROJECTION
	∇=0 ∇=0 ∇=0	mm INCH 4 PLACES ±--- ±--- 3 PLACES ±--- ±0.05 2 PLACES ±0.13 ±0.10 1 PLACE ±0.25 ±--- 0 PLACE ±--- ±---	MM ONLY DRAWN BY DATE JLAURX 2008/11/24 CHECKED BY DATE JLAURX 2008/11/25 APPROVED BY DATE JLAURX 2008/11/26	4:1	METRIC	IMPACT 4 PAIR RAM UNGUIDED SIGNAL MODULE SALES DRAWING molex
	ANGULAR ±1/2° DRAFT WHERE APPLICABLE MUST REMAIN WITHIN DIMENSIONS	MATERIAL NO. SEE TABLE SIZE D THIS DRAWING CONTAINS INFORMATION THAT IS PROPRIETARY TO MOLEX INCORPORATED AND SHOULD NOT BE USED WITHOUT WRITTEN PERMISSION			DOCUMENT NO. SD-76500-001	SHEET NO. 2 OF 2