

## Excellent Integrated System Limited

Stocking Distributor

Click to view price, real time Inventory, Delivery & Lifecycle Information:

[Molex Connector Corporation](#)  
[0765003107](#)

For any questions, you can email us directly:

[sales@integrated-circuit.com](mailto:sales@integrated-circuit.com)

MATERIAL NUMBER	# OF COLUMNS	# OF DIFF. PAIR	DIM "A" MAX	DIM "B"	PTH $\phi$
76500-8**	8	32	22.80	13.30	0.46±0.05
76500-16**	10	40	26.60	17.10	0.46±0.05
76500-6**	16	64	38.00	28.50	0.46±0.05
76500-8**	8	32	22.80	13.30	0.39±0.05
76500-16**	10	40	26.60	17.10	0.39±0.05
76500-6**	16	64	38.00	28.50	0.39±0.05

**76500-\*\*\***

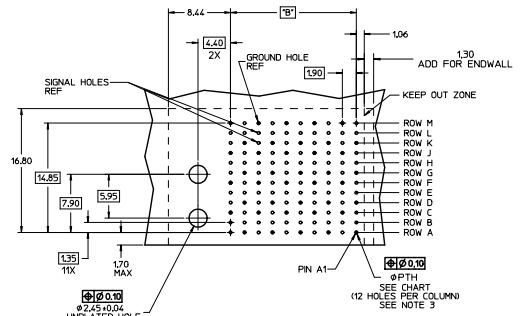
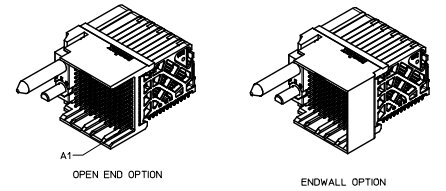
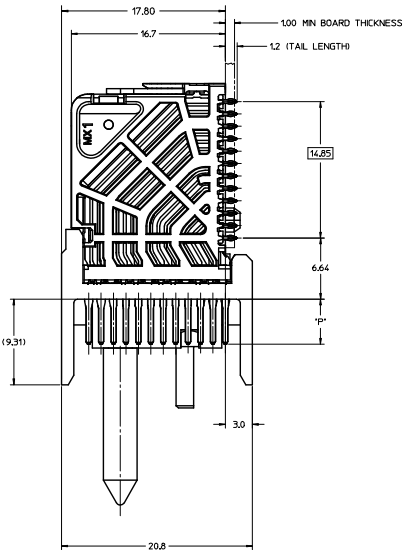
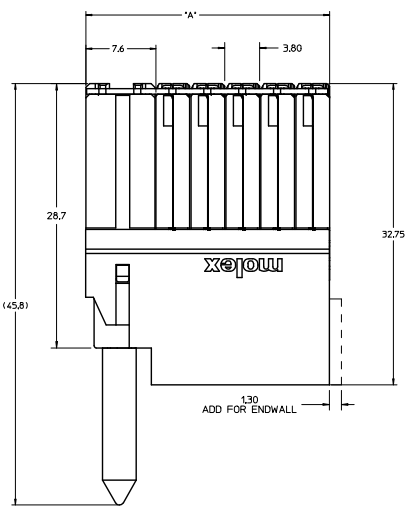
MODULE TYPE  
 3 - LEFT GUIDED, LEAD-FREE  
 7 - LEFT GUIDED, LEAD-FREE W/ ENDWALL

OF COLUMNS  
 1 = 10 COLUMNS  
 6 = 16 COLUMNS  
 8 = 8 COLUMNS

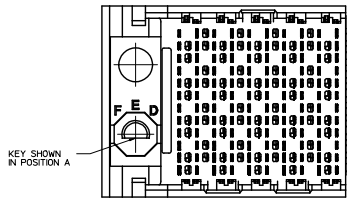
PIN LENGTH (P)  
 4 = 4.90 (0.46 PTH)  
 5 = 5.50 (0.46 PTH)  
 7 = 4.90 (0.39 PTH)  
 8 = 5.50 (0.39 PTH)

KEY ORIENTATION  
 0 = NO KEY  
 1 = A 5 = E  
 2 = B 6 = F  
 3 = C 7 = G  
 4 = D 8 = H

- NOTES:
- MATERIALS: HOUSING - LIQUID CRYSTAL POLYMER (LCP), TERMINALS - HIGH PERFORMANCE COPPER ALLOY GLASS-FILLER UL94V-0
  - FINISH: 30UM SELECTIVE GOLD IN CONTACT AREA, SELECTIVE TIN ON PCB TAILS, NICKEL OVERALL
  - REFER TO MOLEX PRODUCT SPECIFICATION PS-76060-999 FOR PERFORMANCE SPECIFICATIONS AND ADDITIONAL PCB INFORMATION.
  - EACH SIGNAL WAFER CONTAINS 2 COLUMNS OF TERMINALS.
  - PRODUCT IS PACKAGED PER PK-70873-041.
  - THIS PART CONFORMS TO CLASS B REQUIREMENTS OF COSMETIC SPEC PS-65999-002.
  - REFER TO MOLEX SALES DRAWING SD-76060-004 FOR THE MATING RECEPTACLES.
  - REFER TO MOLEX PCB ROUTING GUIDE AS-76060-990 FOR ANTI PAD AND ROUTING RECOMMENDATIONS.
  - WHEN USING MOLEX SUPPLIED #2-32 SCREW 73724-0000 19.50mm ±0.38mm THREADABLE SCREW LENGTH, THE MAXIMUM BOARD THICKNESS IS 4.4mm.
  - GUIDE LEFT RAM MATES TO GUIDE RIGHT DAUGHTERCARD.



RAM HOLE PATTERN (CONNECTOR SIDE)



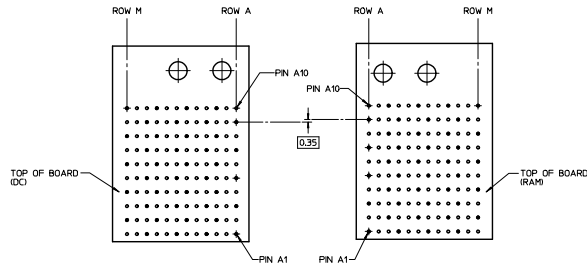
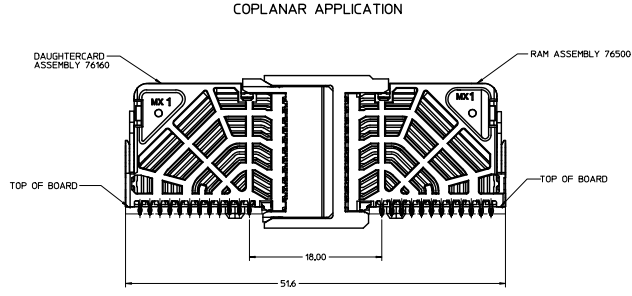
KEY SHOWN IN POSITION A

QUALITY SYMBOL	GENERAL TOLERANCES (UNLESS SPECIFIED)	DIMENSION STYLE		SCALE	DESIGN UNITS	THIRD ANGLE PROJECTION
		MM ONLY	INCH			
∇=0	4 PLACES ±--- ±---	mm	INCH	5:1	METRIC	THIRD ANGLE PROJECTION
∇=0	3 PLACES ±--- ±---	mm	INCH	5:1	METRIC	THIRD ANGLE PROJECTION
∇=0	2 PLACES ±0.13 ±---	mm	INCH	5:1	METRIC	THIRD ANGLE PROJECTION
∇=0	1 PLACE ±0.25 ±---	mm	INCH	5:1	METRIC	THIRD ANGLE PROJECTION
∇=0	0 PLACE ±--- ±---	mm	INCH	5:1	METRIC	THIRD ANGLE PROJECTION

DRAWN BY: J. LAURX DATE: 2008/12/03  
 CHECKED BY: J. LAURX DATE: 2008/12/04  
 APPROVED BY: J. LAURX DATE: 2008/12/05

MATERIAL NO. SEE TABLE  
 DRAFT WHERE APPLICABLE MUST REMAIN WITHIN DIMENSIONS  
 SIZE D THIS DRAWING CONTAINS INFORMATION THAT IS PROPRIETARY TO MOLEX INCORPORATED AND SHOULD NOT BE USED WITHOUT WRITTEN PERMISSION

DOCUMENT NO. SD-76500-002 SHEET NO. 1 OF 2



**COPLANAR MATED SIGNAL PATHS**

DC PIN A10-----RAM PIN A10  
DC PIN A1-----RAM PIN A1

SEE SHEET 1 DEC. NO. 167204-4979 DRAWING: JGONALEZ01 20/04/05/08 CHECKED: JGONALEZ01 20/04/05/08 APPROVED: JGONALEZ01 20/04/05/08 DESIGNED: JGONALEZ01 20/04/05/08	QUALITY SYMBOLS	GENERAL TOLERANCES (UNLESS SPECIFIED)	DIMENSION STYLE MM ONLY	SCALE 4:1	DESIGN UNITS METRIC	THIRD ANGLE PROJECTION
	▽=0	4 PLACES ±--- mm	DRAWN BY JOUILES	DATE 2008/12/03	TITLE IMPACT 4 PAIR RAM GUIDE LEFT SIGNAL MODULE SALES DWG	
	▽=0	3 PLACES ±--- mm	CHECKED BY JLAURX	DATE 2008/12/04		
	▽=0	2 PLACES ±0,13 mm	APPROVED BY JLAURX	DATE 2008/12/05		
▽=0	1 PLACE ±0,25 mm					
	0 PLACE ±--- mm					
	ANGULAR ±1/2°		MATERIAL NO. SEE TABLE	DOCUMENT NO. SD-76500-002	SHEET NO. 2 OF 2	
	DRAFT WHERE APPLICABLE MUST REMAIN WITHIN DIMENSIONS		SIZE D	THIS DRAWING CONTAINS INFORMATION THAT IS PROPRIETARY TO MOLEX INCORPORATED AND SHOULD NOT BE USED WITHOUT WRITTEN PERMISSION		