

Excellent Integrated System Limited

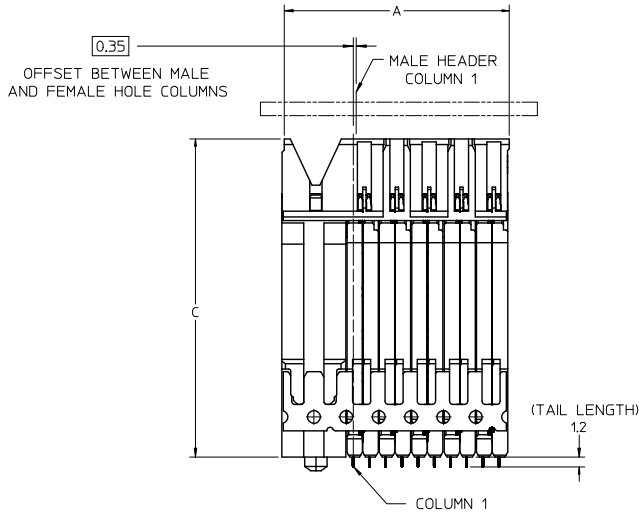
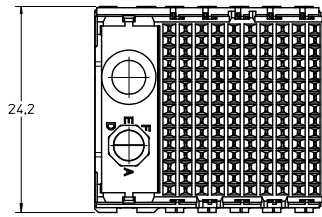
Stocking Distributor

Click to view price, real time Inventory, Delivery & Lifecycle Information:

[Molex Connector Corporation](#)
[0765303047](#)

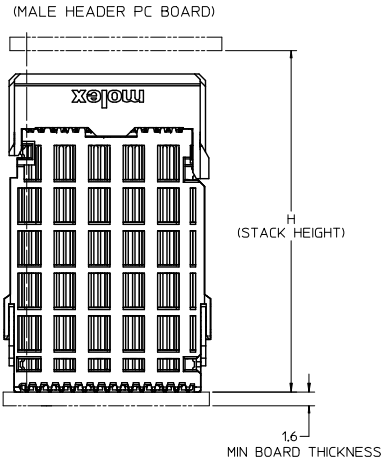
For any questions, you can email us directly:

sales@integrated-circuit.com



NOTES:

1. MATERIALS: HOUSING - LIQUID CRYSTAL POLYMER (LCP), GLASS FILLED, UL94V-0
TERMINALS - HIGH PERFORMANCE COPPER ALLOY
2. FINISH: 30 uin MIN SELECTIVE GOLD IN CONTACT AREA.
SELECTIVE MATTE TIN ON PCB TAILS, NICKEL OVERALL.
3. EACH SIGNAL WAFER CONTAINS TWO COLUMNS OF TERMINALS.
4. PARTS SHALL BE PACKAGED IN TRAYS PER PACKAGING SPEC PK-70873-0040 (40mm)
OR PK-70873-0043 (38mm).
5. FOR FURTHER INFORMATION SEE PRODUCT SPECIFICATION PS-76060-999
6. THIS PART CONFORMS TO CLASS B REQUIREMENTS OF COSMETIC SPECIFICATION PS-45499-002.
7. PART SHOWN HAS AN OVERALL STACK HEIGHT OF 40mm. VARYING STACK HEIGHTS MAY BE AVAILABLE UPON REQUEST.
8. REFER TO MOLEX SALES DRAWING SD-76055-002 FOR THE MATING HEADERS.
9. REFER TO MOLEX PCB ROUTING GUIDE AS-76060-990 FOR ANTIPAD AND ROUTING RECOMMENDATIONS.
10. CONNECTORS SUPPLIED WITH A MOUNTING SCREW.
11. *THESE DIMENSIONS REPRESENT THE AREA NEEDED TO ACCOMMODATE CONNECTOR INSERTION & REPAIR ON THE PC BOARD. THIS IS REFERRED TO AS THE "CONNECTOR KEEP OUT ZONE" AND DOES NOT REPRESENT THE ACTUAL PERIMETER OF THE CONNECTOR. WHEN LAYING OUT A PC BOARD WITH CONNECTORS STACKED TOGETHER, USE A 1.9mm PROGRESSION.*



UPDATE PRINT EC NO: UCP2015-2453 DRW:BJMILLER 2014/12/12 CHKD: APPR:TELO 2014/12/19 H2 REV	QUALITY SYMBOLS ∇=0 ∇=0 ∇=0	GENERAL TOLERANCES (UNLESS SPECIFIED)		DIMENSION STYLE MM ONLY		SCALE 3:1	DESIGN UNITS METRIC	THIRD ANGLE PROJECTION	
		4 PLACES ± --- ± --- 3 PLACES ± --- ± --- 2 PLACES ± 0.13 ± --- 1 PLACE ± 0.25 ± --- 0 PLACE ± --- ± ---	mm INCH --- --- --- --- --- --- --- --- --- ---	DRAWN BY JJONIAK DATE 2008/10/10	CHECKED BY TELO DATE 2008/10/10	TITLE IMPACT 5-PAIR VERTICAL MEZZANINE LEFT GUIDED SALES DWG		MATERIAL NO. SEE TABLE	
DRAFT WHERE APPLICABLE MUST REMAIN WITHIN DIMENSIONS		ANGULAR ± 1/2°		THIS DRAWING CONTAINS INFORMATION THAT IS PROPRIETARY TO MOLEX INCORPORATED AND SHOULD NOT BE USED WITHOUT WRITTEN PERMISSION					

PART NUMBER	# OF COLUMNS	# OF DIFF PAIR	DIM 'A'	DIM 'B'	DIM 'C'	STACK HEIGHT (H)
76530-***30	10	50	26,6	17,10	35,36	38,00
76530-***32	12	60	30,4	20,90	35,36	38,00
76530-***37	14	70	34,2	24,70	35,36	38,00
76530-***36	16	80	38,0	28,50	35,36	38,00
76530-***40	10	50	26,6	17,10	37,36	40,00
76530-***42	12	60	30,4	20,90	37,36	40,00
76530-***47	14	70	34,2	24,70	37,36	40,00
76530-***46	16	80	38,0	28,50	37,36	40,00

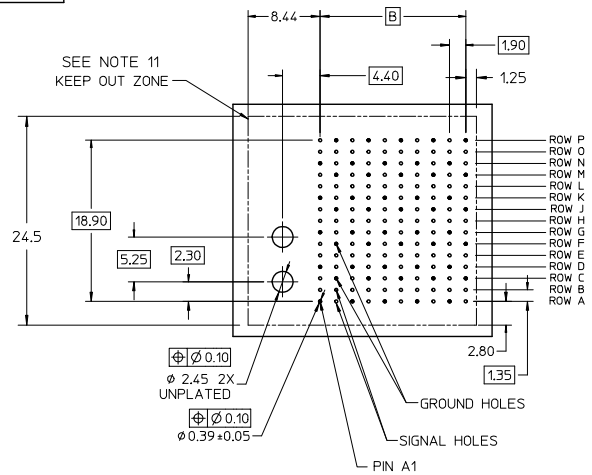
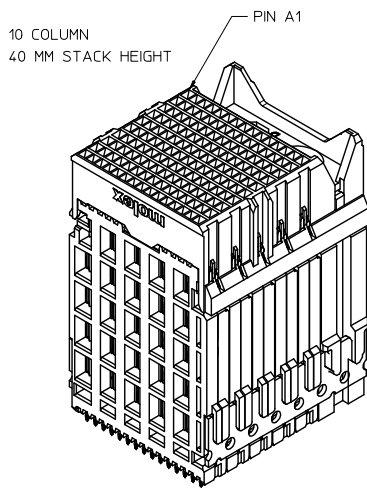
76530-***

MODULE & TAIL PLATING TYPE
3 = LEFT GUIDED LEAD-FREE

POLARIZATION KEY ORIENTATION
0 = NO KEY
1 = A
2 = B
3 = C
4 = D
5 = E
6 = F
7 = G
8 = H

OF COLUMNS
0 = 10 COL MICRO COMPLIANT
2 = 12 COL MICRO COMPLIANT
6 = 16 COL MICRO COMPLIANT
7 = 14 COL MICRO COMPLIANT

STACK HEIGHT
3 = 38mm
4 = 40mm



VERTICAL FEMALE HOLE PATTERN
(CONNECTOR SIDE)

SEE SHEET 1 EC NO: UCP2015-2453 DRAWN BY: MILLER CHKD: APPR: TELO H2	DESCRIPTION 2014/12/12 2014/12/19	QUALITY SYMBOLS	GENERAL TOLERANCES (UNLESS SPECIFIED)	DIMENSION STYLE	SCALE	DESIGN UNITS	THIRD ANGLE PROJECTION																												
		<table border="1"> <tr> <th></th> <th>mm</th> <th>INCH</th> </tr> <tr> <td>4 PLACES</td> <td>±</td> <td>---</td> </tr> <tr> <td>3 PLACES</td> <td>±</td> <td>---</td> </tr> <tr> <td>2 PLACES</td> <td>±0.13</td> <td>±</td> </tr> <tr> <td>1 PLACE</td> <td>±0.25</td> <td>±</td> </tr> <tr> <td>0 PLACE</td> <td>±</td> <td>---</td> </tr> </table>		mm	INCH	4 PLACES	±	---	3 PLACES	±	---	2 PLACES	±0.13	±	1 PLACE	±0.25	±	0 PLACE	±	---	<table border="1"> <tr> <th>mm</th> <th>INCH</th> </tr> <tr> <td>±</td> <td>---</td> </tr> <tr> <td>±</td> <td>---</td> </tr> <tr> <td>±</td> <td>---</td> </tr> <tr> <td>±</td> <td>---</td> </tr> <tr> <td>±</td> <td>---</td> </tr> </table>	mm	INCH	±	---	±	---	±	---	±	---	±	---	MM ONLY	3:1
	mm	INCH																																	
4 PLACES	±	---																																	
3 PLACES	±	---																																	
2 PLACES	±0.13	±																																	
1 PLACE	±0.25	±																																	
0 PLACE	±	---																																	
mm	INCH																																		
±	---																																		
±	---																																		
±	---																																		
±	---																																		
±	---																																		
DRAWN BY: JJONIAK DATE: 2008/10/10 CHECKED BY: DATE: APPROVED BY: TELO DATE: 2008/10/10 JL AURX DATE: 2010/11/04		ANGULAR ±1/2° DRAFT WHERE APPLICABLE MUST REMAIN WITHIN DIMENSIONS		MATERIAL NO. SEE TABLE DOCUMENT NO. SD-76530-002		TITLE: IMPACT 5-PAIR VERTICAL MEZZANINE LEFT GUIDED SALES DWG molex SHEET NO. 2 OF 2																													