

Excellent Integrated System Limited

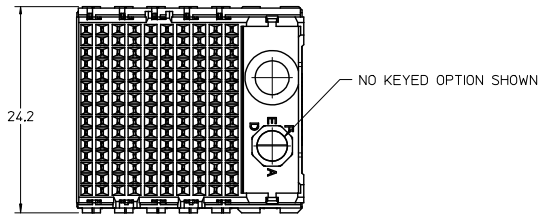
Stocking Distributor

Click to view price, real time Inventory, Delivery & Lifecycle Information:

[Molex Connector Corporation](#)
[0765305032](#)

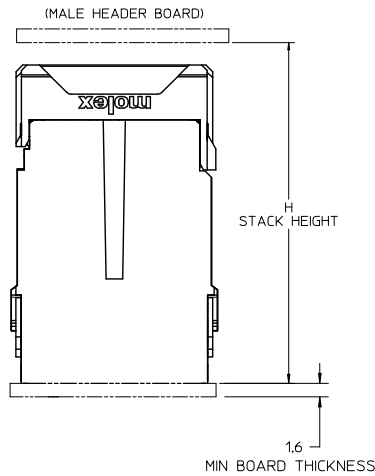
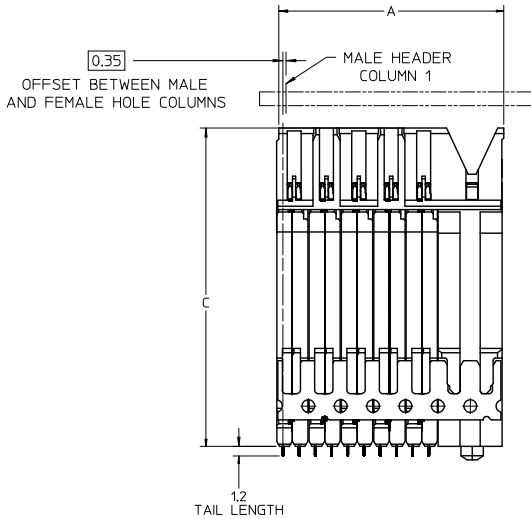
For any questions, you can email us directly:

sales@integrated-circuit.com



NOTES:

1. MATERIALS: HOUSING - LIQUID CRYSTAL POLYMER (LCP), GLASS FILLED, UL94V-0
TERMINALS - HIGH PERFORMANCE COPPER ALLOY
2. FINISH: 30 um MIN SELECTIVE GOLD IN CONTACT AREA,
SELECTIVE MATTE TIN ON PCB TAILS, NICKEL OVERALL.
3. EACH SIGNAL WAFER CONTAINS TWO COLUMNS OF TERMINALS.
4. PARTS SHALL BE PACKAGED IN TRAYS PER PACKAGING SPEC PK-70873-0040 (40mm)
OR PK-70873-0043 (38mm).
5. FOR FURTHER INFORMATION SEE PRODUCT SPECIFICATION PS-76060-999
6. THIS PART CONFORMS TO CLASS B REQUIREMENTS OF COSMETIC SPECIFICATION
PS-45499-002.
7. PART SHOWN HAS AN OVERALL STACK HEIGHT OF 40mm. VARYING STACK HEIGHTS
MAY BE AVAILABLE UPON REQUEST.
8. REFER TO MOLEX SALES DRAWING SD-76055-003 FOR THE MATING HEADERS.
9. REFER TO MOLEX PCB ROUTING GUIDE AS-76060-990 FOR ANTI PAD AND ROUTING
RECOMMENDATIONS.
10. CONNECTORS SUPPLIED WITH A MOUNTING SCREW.
11. THESE DIMENSIONS REPRESENT THE AREA NEEDED TO ACCOMMODATE CONNECTOR
INSERTION & REPAIR ON THE PC BOARD. THIS IS REFERRED TO AS THE
"CONNECTOR KEEP OUT ZONE" AND DOES NOT REPRESENT THE ACTUAL PERIMETER
OF THE CONNECTOR. WHEN LAYING OUT A PC BOARD WITH CONNECTORS STACKED
TOGETHER, USE A 1.90mm PROGRESSION.'



UPDATE PRINT EC NO: UCP2015-2453 DRAWN BY: MILLER CHKD: TELLO APPR: TELLO H2	DESCRIPTION 2014/12/19	QUALITY SYMBOLS ▽=0 ▽=0 ▽=0	GENERAL TOLERANCES (UNLESS SPECIFIED)		DIMENSION STYLE MM ONLY		SCALE 1:1	DESIGN UNITS METRIC	THIRD ANGLE PROJECTION
			mm	INCH	DRAWN BY JJONIAK 2008/10/13	DATE	TITLE IMPACT 5-PAIR VERTICAL MEZZANINE RIGHT GUIDED SALES DWG		
			4 PLACES ±	---	---	CHECKED BY TELO 2008/10/13			molex
			3 PLACES ±	---	---	APPROVED BY JLAURX 2010/11/04			
			2 PLACES ±	0.13	---				SD-76530-004
			1 PLACE ±	0.25	---				
			0 PLACE ±	---	---				SHEET NO. 1 OF 2
DRAFT WHERE APPLICABLE MUST REMAIN WITHIN DIMENSIONS			ANGULAR ±1/2°		MATERIAL NO. SEE TABLE		DOCUMENT NO.		
THIS DRAWING CONTAINS INFORMATION THAT IS PROPRIETARY TO MOLEX INCORPORATED AND SHOULD NOT BE USED WITHOUT WRITTEN PERMISSION									

PART NUMBER	# OF COLUMNS	# OF DIFF PAIR	DIM 'A'	DIM 'B'	DIM 'C'	STACK HEIGHT (H)
76530-***30	10	50	26.6	17.10	35.36	38.00
76530-***32	12	60	30.4	20.90	35.36	38.00
76530-***37	14	70	34.2	24.70	35.36	38.00
76530-***36	16	80	38.0	28.50	35.36	38.00
76530-***40	10	50	26.6	17.10	37.36	40.00
76530-***42	12	60	30.4	20.90	37.36	40.00
76530-***47	14	70	34.2	24.70	37.36	40.00
76530-***46	16	80	38.0	28.50	37.36	40.00

76530-***

MODULE & TAIL PLATING TYPE
5 = RIGHT GUIDED LEAD-FREE

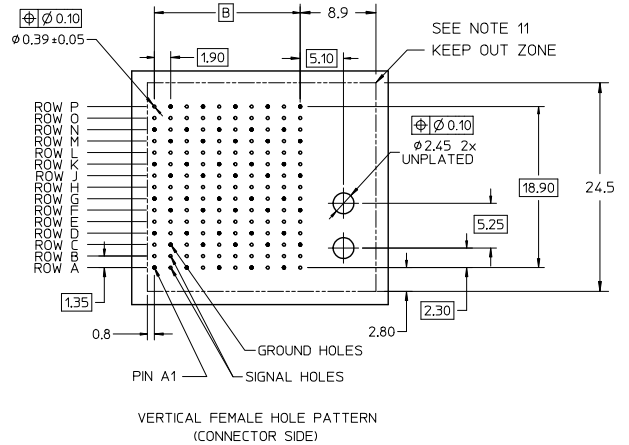
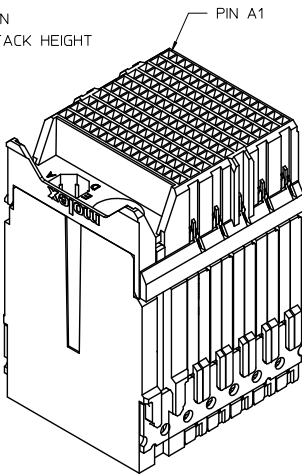
OF COLUMNS
0 = 10 COL MICRO COMPLIANT
2 = 12 COL MICRO COMPLIANT
6 = 16 COL MICRO COMPLIANT
7 = 14 COL MICRO COMPLIANT

POLARIZATION KEY ORIENTATION

0 = NO KEY
1 = A 5 = E
2 = B 6 = F
3 = C 7 = G
4 = D 8 = H

STACK HEIGHT
3 = 38mm
4 = 40mm

10 COLUMN
40 MM STACK HEIGHT



SEE SHEET 1 EC NO: UCP2005-2453 DRAWN BY: JILLER 2010/12/12 CHKD: APPR: TELD 2014/12/19 REV	QUALITY SYMBOLS	GENERAL TOLERANCES (UNLESS SPECIFIED)	DIMENSION STYLE	SCALE	DESIGN UNITS	THIRD ANGLE PROJECTION
	▽=0	mm INCH	MM ONLY	3:1	METRIC	
	▽=0.13	4 PLACES ± --- ± ---	DRAWN BY DATE	TITLE		
	▽=0.25	3 PLACES ± --- ± ---	JJONIAK 2008/10/13	IMPACT 5-PAIR VERTICAL MEZZANINE RIGHT GUIDED SALES DWG		
	2 PLACES ± 0.13 ± ---	CHECKED BY DATE	molex SD-76530-004 SHEET NO. 2 OF 2			
	1 PLACE ± 0.25 ± ---	TELO 2008/10/13				
	0 PLACE ± --- ± ---	APPROVED BY DATE	THIS DRAWING CONTAINS INFORMATION THAT IS PROPRIETARY TO MOLEX INCORPORATED AND SHOULD NOT BE USED WITHOUT WRITTEN PERMISSION			
	ANGULAR ± 1/2°	JLAURX 2010/11/04	MATERIAL NO. DOCUMENT NO.			
	DRAFT WHERE APPLICABLE MUST REMAIN WITHIN DIMENSIONS		SEE TABLE SIZE C			