

Excellent Integrated System Limited

Stocking Distributor

Click to view price, real time Inventory, Delivery & Lifecycle Information:

[Molex Connector Corporation](#)
[0765605607](#)

For any questions, you can email us directly:

sales@integrated-circuit.com

MATERIAL NUMBER	# OF COLUMNS	# OF OFF PAIR	DM 'A' MAX	DM 'B'	PTH
76560-14*	10	60	26.60	17.10	0.44-0.05
76560-17*	14	84	34.20	24.70	0.44-0.05
76560-16**	16	96	38.00	28.50	0.44-0.05
76560-14*	10	60	26.60	17.10	0.39-0.05
76560-17**	14	84	34.20	24.70	0.39-0.05
76560-16**	16	96	38.00	28.50	0.39-0.05

76560-***

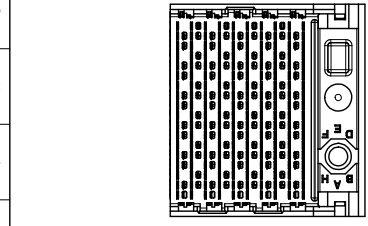
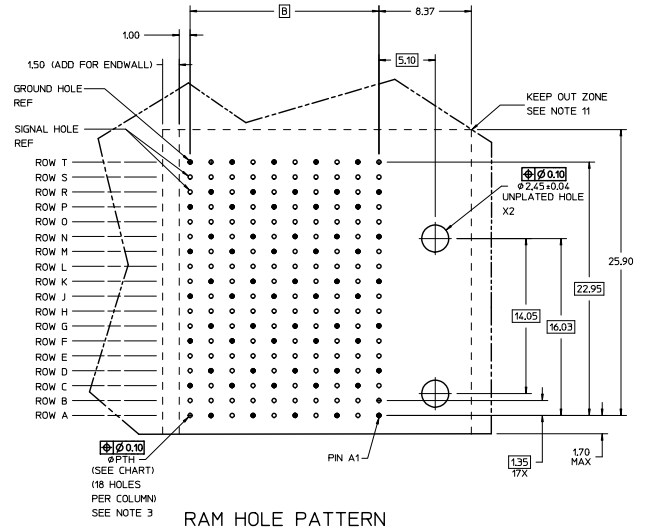
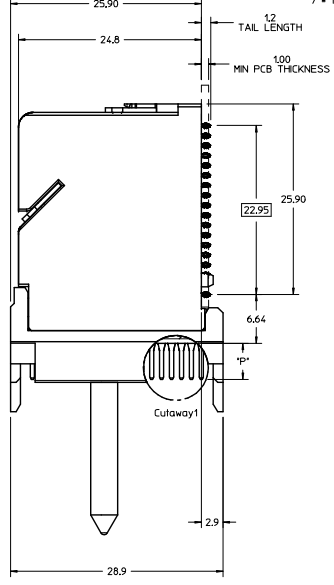
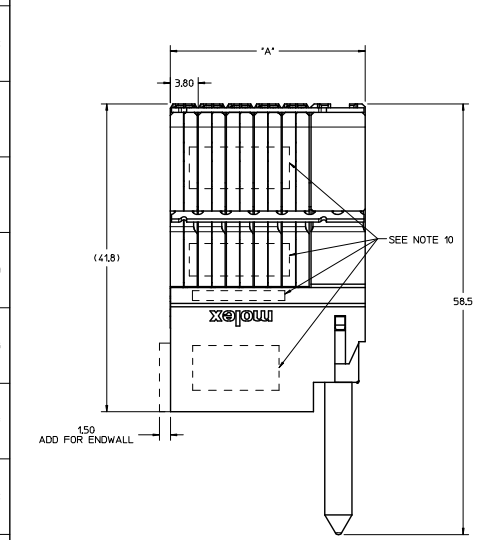
MODULE TYPE
 5 - GUIDED, LEAD-FREE
 9 - GUIDED, LEAD-FREE W/ ENDWALL

OF COLUMNS
 1 - 10 COLUMNS
 6 - 16 COLUMNS
 7 - 14 COLUMNS

PIN LENGTH (P)
 4 - 4.90 (0.46 PTH)
 5 - 5.50 (0.46 PTH)
 7 - 4.90 (0.39 PTH)
 8 - 5.50 (0.39 PTH)

KEY ORIENTATION
 0 - NO KEY
 1 - A
 2 - B
 3 - C
 4 - D
 5 - E
 6 - F
 7 - G
 8 - H

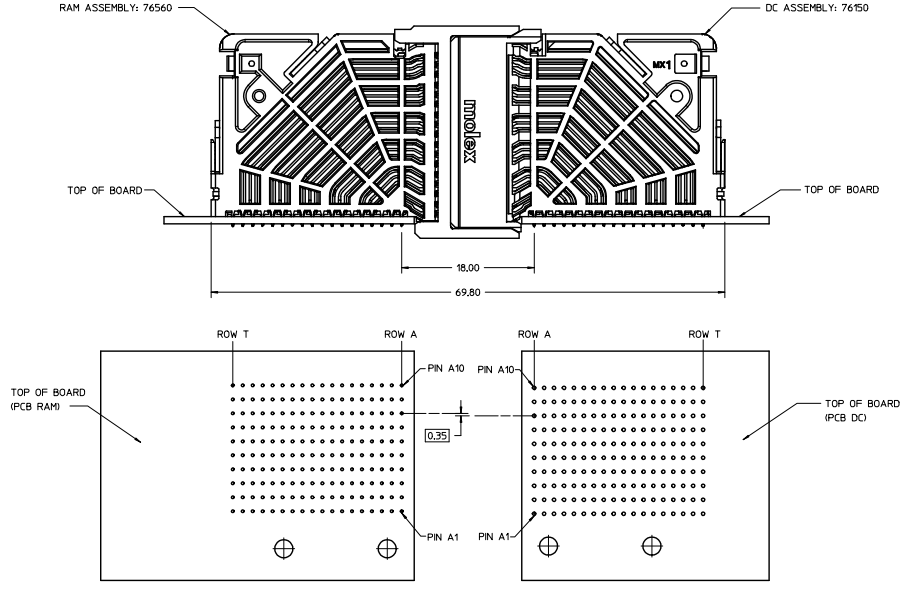
- NOTES:
- MATERIALS: HOUSING - LIQUID CRYSTAL POLYMER (LCP), GLASS-FILLED, UL94V-0 TERMINALS - HIGH PERFORMANCE COPPER ALLOY
 - FINISH 301N SELECTIVE GOLD IN CONTACT AREA, SELECTIVE TIN ON PCB TAILS, MOLEX OVERALL
 - REFER TO MOLEX PRODUCT SPECIFICATION PS-76060-999 FOR PERFORMANCE SPECIFICATIONS AND ADDITIONAL PCB INFORMATION
 - EACH SIGNAL WAFER CONTAINS 2 COLUMNS OF TERMINALS.
 - PRODUCT IS PACKAGED PER PK-70973-777
 - THIS PART CONFORMS TO CLASS B REQUIREMENTS OF COSMETIC SPEC PS-45499-002.
 - REFER TO MOLEX SALES DRAWING SD-76560-002 FOR THE MATING RECEPTACLES.
 - REFER TO MOLEX PCB ROUTING GUIDE AS-76060-999 FOR ANTIPOP AND ROUTING RECOMMENDATIONS.
 - OPEN WALL VERSION SHOWN FOR CLARITY. SEE PCB LAYOUT FOR OVERALL LENGTH ADDITION ON THE ASSEMBLIES WITH ENDWALLS.
 - MARKING LOCATED APPROXIMATELY AS SHOWN, PART NUMBER AND DATE CODE.
 - THESE DIMENSIONS REPRESENT THE AREA NEEDED TO ACCOMMODATE CONNECTOR INSERTION AND REPAIR ON THE PCB/THS IS REFERRED TO AS THE "CONNECTOR KEEP OUT ZONE" AND DOES NOT REPRESENT THE ACTUAL PERIMETER OF THE CONNECTOR.



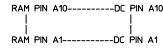
RAM HOLE PATTERN (CONNECTOR SIDE)

QUALITY SYMBOLS	GENERAL TOLERANCES (UNLESS SPECIFIED)		DIMENSION STYLE		SCALE	DESIGN UNITS	THIRD ANGLE PROJECTION
	mm	INCH	MM ONLY	INCH			
∇=0	4 PLACES ±---	±---	DRAWN BY	DATE	4:1	METRIC	IMPACT 6 PAIR RAM MARRIED GUIDE RIGHT SALES DRAWING
∇=0	3 PLACES ±---	±---	JGONZALEZ01	2015/06/25			
∇=0	2 PLACES ±0.13	±---	CHECKED BY	DATE			
∇=0	1 PLACE ±0.25	±---	APPROVED BY	DATE			
∇=0	0 PLACE ±---	±---	TELO	2016/01/10	SEE TABLE		
ANGULAR ±1/2°			MATERIAL NO.		DOCUMENT NO.		SHEET NO.
DRAFT WHERE APPLICABLE MUST REMAIN WITHIN DIMENSIONS			SEE TABLE		SD-76560-9004		1 OF 2

COPLANER APPLICATION



COPLANER MATED SIGNAL PATHS



SEE SHEET 1 EC NO. 167205-3090 DRAWN: JGONZALEZ01 2015/06/25 CHCK: JGONZALEZ01 APPR: TELQ DATE: 2016/01/10 REV: A	QUALITY SYMBOLS	GENERAL TOLERANCES (UNLESS SPECIFIED)	DRIMENSION STYLE	SCALE	DESIGN UNITS	THIRD ANGLE PROJECTION	
	▽=0	mm INCH	MM ONLY	4:1	METRIC		
	▽=0	4 PLACES ± --- ± ---	DRAWN BY	JGONZALEZ01	DATE	2015/06/25	TITLE
	▽=0	3 PLACES ± --- ± ---	CHECKED BY	JGONZALEZ01	DATE	2015/06/25	IMPACT 6 PAIR RAM MARRIED GUIDE RIGHT SALES DRAWING
	2 PLACES ± 0.13 ± ---	APPROVED BY	TELQ	DATE	2016/01/10		
	1 PLACE ± 0.25 ± ---	MATERIAL NO.		DOCUMENT NO.	SD-76560-9004	SHEET NO. 2 OF 2	
	0 PLACE ± --- ± ---	ANGULAR ±1/2°	SEE CHART				
	DRAFT WHERE APPLICABLE MUST REMAIN WITHIN DIMENSIONS	SIZE D	THIS DRAWING CONTAINS INFORMATION THAT IS PROPRIETARY TO MOLEX INCORPORATED AND SHOULD NOT BE USED WITHOUT WRITTEN PERMISSION				