

## **Excellent Integrated System Limited**

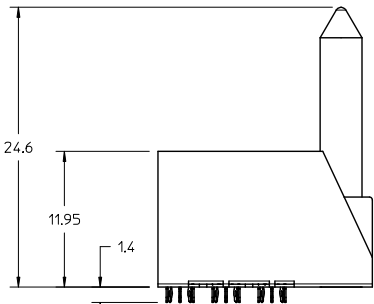
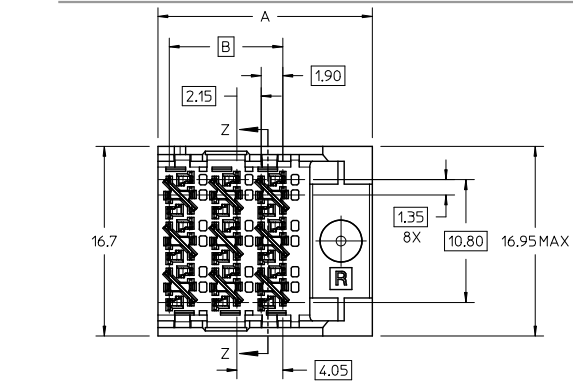
Stocking Distributor

Click to view price, real time Inventory, Delivery & Lifecycle Information:

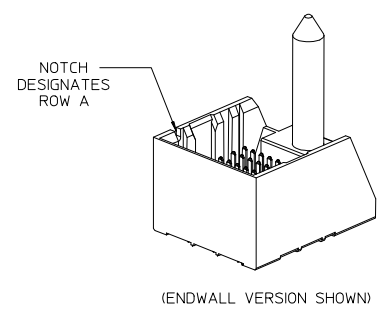
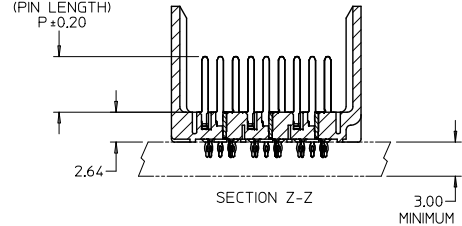
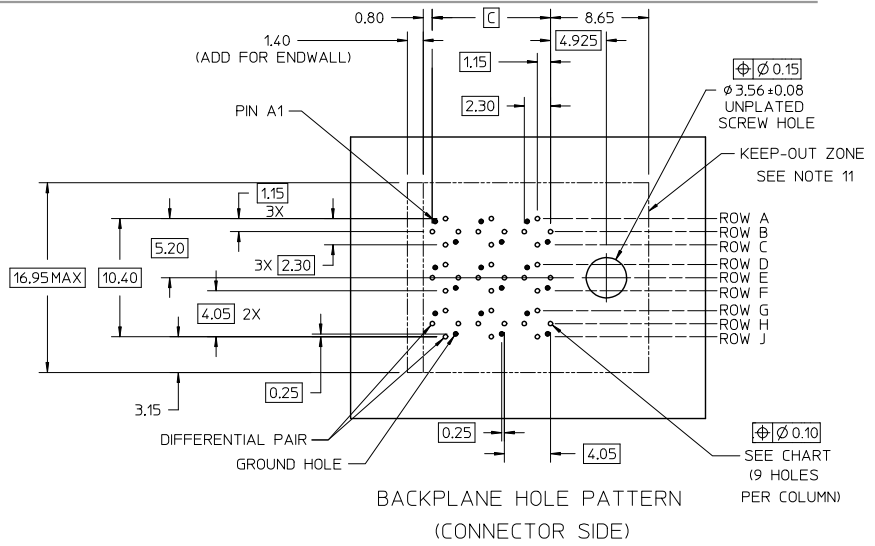
[Molex Connector Corporation](#)  
[0768559608](#)

For any questions, you can email us directly:  
[sales@integrated-circuit.com](mailto:sales@integrated-circuit.com)

13 12 11 10 9 8 7 6 5 4 3 2 1



- NOTES:
1. MATERIALS: HOUSING - LIQUID CRYSTAL POLYMER (LCP)  
GLASS-FILLED, UL94V-0  
TERMINALS - HIGH PERFORMANCE COPPER ALLOY
  2. FINISH: 30µ MIN GOLD IN CONTACT AREA.  
SELECTIVE TIN OR TIN-LEAD ON PCB TAILS.  
NICKEL OVERALL.
  3. REFER TO MOLEX PRODUCT SPECIFICATION PS-76060-999  
FOR PERFORMANCE SPECIFICATIONS AND ADDITIONAL PCB INFORMATION.
  4. THIS PART CONFORMS TO CLASS B REQUIREMENTS OF  
COSMETIC SPEC PS-45499-002.
  5. PRODUCT IS PACKAGED PER PK-70873-763.
  6. SEE SHEETS 2 AND 3 FOR PART NUMBERS AND ORTHOGONAL PIN MAPPING.
  7. REFER TO MOLEX SALES DRAWING SD-76860-004 FOR THE MATING RECEPTACLES.
  8. THE KEEP-OUT ZONE FOR THE PART LENGTH INCLUDES AN ADDITIONAL 1.0mm  
TO ACCOMMODATE FOR SPACE REQUIRED BY THE DAUGHTERCARD ASSEMBLY.
  9. REFER TO MOLEX ROUTING GUIDE AS-76850-990 FOR ADDITIONAL PCB LAYOUT  
AND ROUTING RECOMMENDATIONS.
  10. CONNECTORS ARE SUPPLIED WITH A 2-56 UNC-2A SCREW.
  11. THESE DIMENSIONS REPRESENT THE AREA NEEDED TO ACCOMMODATE CONNECTOR  
INSERTION AND REPAIR ON THE PC BOARD. THIS DOES NOT REPRESENT  
THE ACTUAL PERIMETER OF THE CONNECTOR.



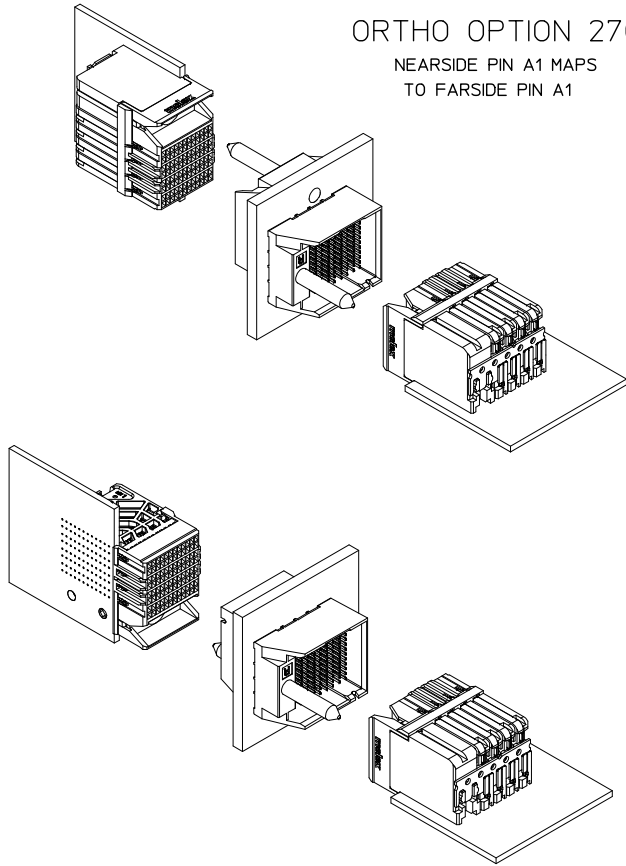
UPDATED VIEWS EC NO: UCP-2014-2698 DRAWN BY: JLAURX CHKD: JMENDOZA APPR: JBLINGHAM DATE: 2015/03/24	DESCRIPTION IMPACT ORTHO BP 3X6 GR ENDWALL	QUALITY SYMBOLS ∇=0 ∇=0 ∇=0	GENERAL TOLERANCES (UNLESS SPECIFIED)		DIMENSION STYLE MM ONLY		SCALE 4:1	DESIGN UNITS METRIC	THIRD ANGLE PROJECTION
			4 PLACES ± --- ± --- 3 PLACES ± --- ± --- 2 PLACES ± 0.13 ± --- 1 PLACE ± 0.25 ± --- 0 PLACE ± ±	mm INCH	DRAWN BY JLAURX	DATE 5/6/09	TITLE IMPACT 3 PAIR HEADER ORTHOGONAL ASSEMBLY GUIDE RIGHT SALES DWG		
DRAFT WHERE APPLICABLE MUST REMAIN WITHIN DIMENSIONS			ANGULAR ±1/2°		MATERIAL NO. SEE CHART		DOCUMENT NO. SD-76855-003		SHEET NO. 1 OF 3
THIS DRAWING CONTAINS INFORMATION THAT IS PROPRIETARY TO MOLEX INCORPORATED AND SHOULD NOT BE USED WITHOUT WRITTEN PERMISSION									

1b\_frame\_C.P.AM.T Rev. G 2012/01/11 12 11 10 9 8 7 6 5 4 3 2 1

### ORTHO OPTION 270

NEAR SIDE PIN A1 MAPS  
TO FAR SIDE PIN A1

MATERIAL NUMBER	# OF COLUMNS	# OF DIFF PAIR	MODULE TYPE	DIM A	DIM B	DIM C
76855-*60*	6	18	NO ENDWALL	18.9	10.00	10.40
76855-*60*	6	18	WITH ENDWALL	20.3	10.00	10.40
76855-*80*	8	24	NO ENDWALL	22.9	14.05	14.45
76855-*80*	8	24	WITH ENDWALL	24.3	14.05	14.45



### ORTHO OPTION 90

NEAR SIDE PIN A1 MAPS  
TO FAR SIDE PIN J6  
(FOR SQUARE PATTERN)

76855-\*x0\*

MODULE & TAIL PLATING TYPE

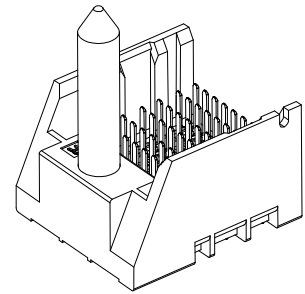
- 4 = GUIDE RIGHT NO ENDWALL, TIN/LEAD
- 5 = GUIDE RIGHT NO ENDWALL, TIN
- 8 = GUIDE RIGHT ENDWALL, TIN/LEAD
- 9 = GUIDE RIGHT ENDWALL, TIN

PIN LENGTH (P)

- 4 = 4.90 (0.46 PTH)
- 5 = 5.50 (0.46 PTH)
- 7 = 4.90 (0.39 PTH)
- 8 = 5.50 (0.39 PTH)

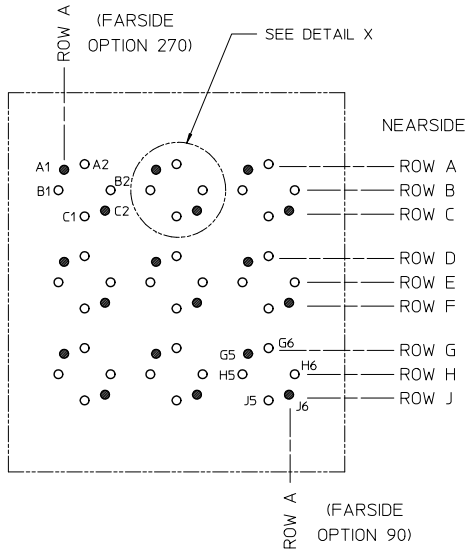
# OF COLUMNS

- 6 = 6 COLUMNS
- 8 = 8 COLUMNS

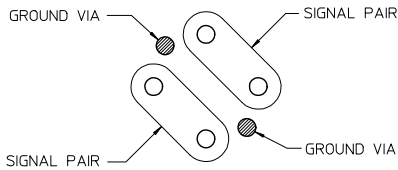


OPEN END WALL

SEE SHEET 1 EC NO: UCP2014-2698 DRAWN BY: JLAURX CHKD: JMENDOZA APPR: JBLINGHAM DATE: 2013/04/01 2015/03/24	QUALITY SYMBOLS ∇=0 ∇=0 ∇=0	GENERAL TOLERANCES (UNLESS SPECIFIED)		DIMENSION STYLE MM ONLY		SCALE 4:1	DESIGN UNITS METRIC	THIRD ANGLE PROJECTION	
		4 PLACES ± --- ± --- 3 PLACES ± --- ± --- 2 PLACES ± 0.13 ± --- 1 PLACE ± 0.25 ± --- 0 PLACE ± ±		DRAWN BY: JLAURX DATE: 5/6/09 CHECKED BY: JMENDOZA DATE: 2010/01/13 APPROVED BY: JBLINGHAM DATE: 2010/01/14		TITLE: IMPACT 3 PAIR HEADER ORTHOGONAL ASSEMBLY GUIDE RIGHT SALES DWG			
		ANGULAR ± 1/2°		MATERIAL NO.		DOCUMENT NO.		SHEET NO.	
		DRAFT WHERE APPLICABLE MUST REMAIN WITHIN DIMENSIONS		SEE CHART		SD-76855-003		2 OF 3	
THIS DRAWING CONTAINS INFORMATION THAT IS PROPRIETARY TO MOLEX INCORPORATED AND SHOULD NOT BE USED WITHOUT WRITTEN PERMISSION									



MIDPLANE PCB LAYOUT



DETAIL X  
SCALE 16:1

ORTHO PIN MAPPING					
OPTION 270 (NEARSIDE - FAR SIDE)					
(A1-A1)	A2-B1	(A3-D1)	A4-E1	(A5-G1)	A6-H1
B1-A2	B2-C1	B3-D2	B4-F1	B5-G2	B6-J1
C1-B2	(C2-C2)	C3-E2	(C4-F2)	C5-H2	(C6-J2)
(D1-A3)	D2-B3	(D3-D3)	D4-E3	(D5-G3)	D6-H3
E1-A4	E2-C3	E3-D4	E4-F3	E5-G4	E6-J3
F1-B4	(F2-C4)	F3-E4	(F4-F4)	F5-H4	(F6-J4)
(G1-A5)	G2-B5	(G3-D5)	G4-E5	(G5-G5)	G6-H5
H1-A6	H2-C5	H3-D6	H4-F5	H5-G6	H6-J5
J1-B6	(J2-C6)	J3-E6	(J4-F6)	J5-H6	(J6-J6)

ORTHO PIN MAPPING					
OPTION 90 (NEARSIDE - FAR SIDE)					
(A1-J6)	A2-H6	(A3-F6)	A4-E6	(A5-C6)	A6-B6
B1-J5	B2-G6	B3-F5	B4-D6	B5-C5	B6-A6
C1-H5	(C2-G5)	C3-E5	(C4-D5)	C5-B5	(C6-A5)
(D1-J4)	D2-H4	(D3-F4)	D4-E4	(D5-C4)	D6-B4
E1-J3	E2-G4	E3-F3	E4-D4	E5-C3	E6-A4
F1-H3	(F2-G3)	F3-E3	(F4-D3)	F5-B3	(F6-A3)
(G1-J2)	G2-H2	(G3-F2)	G4-E2	(G5-C2)	G6-B2
H1-J1	H2-G2	H3-F1	H4-D2	H5-C1	H6-A2
J1-H1	(J2-G1)	J3-E1	(J4-D1)	J5-B1	(J6-A1)

NOTE: PINOUTS SHOWN IN BALLOONS ARE GROUNDS.  
PINOUTS SHOWN ARE FOR SQUARE (6 COLUMN) PATTERN ONLY.

SEE SHEET 1 EC NO: UCP2014-2698 DRAWN BY: JLAURX CHKD: JMENDOZA APPR: TELD DATE: 2015/03/24	QUALITY SYMBOLS 	GENERAL TOLERANCES (UNLESS SPECIFIED)		DIMENSION STYLE MM ONLY		SCALE 8:1	DESIGN UNITS METRIC	THIRD ANGLE PROJECTION	
		4 PLACES	±	---	---	DRAWN BY JLAURX	DATE 5/6/09	TITLE IMPACT 3 PAIR HEADER ORTHOGONAL ASSEMBLY GUIDE RIGHT SALES DWG <b>molex</b> DOCUMENT NO. SD-76855-003 SHEET NO. 3 OF 3	
		3 PLACES	±	---	---	CHECKED BY JMENDOZA	DATE 2010/01/13		
		2 PLACES	±	0.13	±	APPROVED BY JBINGHAM	DATE 2010/01/14		
1 PLACE	±	0.25	±	MATERIAL NO.					
0 PLACE		±	---	ANGULAR ±1/2°		DRAFT WHERE APPLICABLE MUST REMAIN WITHIN DIMENSIONS		SIZE C	