

## Excellent Integrated System Limited

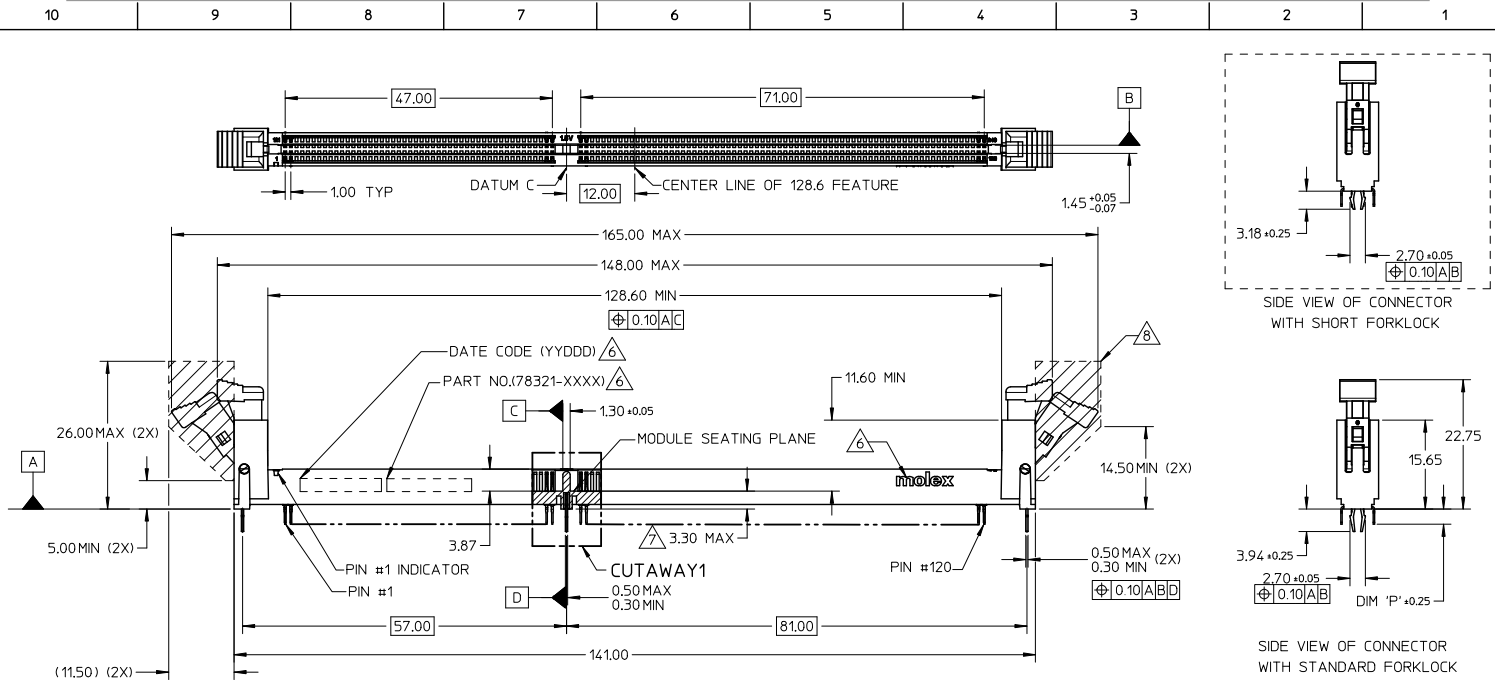
Stocking Distributor

Click to view price, real time Inventory, Delivery & Lifecycle Information:

[Molex Connector Corporation](#)  
[0783210001](#)

For any questions, you can email us directly:

[sales@integrated-circuit.com](mailto:sales@integrated-circuit.com)



- NOTES:
- MATERIAL: HOUSING - HIGH TEMP NYLON, GLASS FILLED, UL 94V-0  
COLOR: SEE TABLE ON SHEET 6 & 7  
LATCH - HIGH TEMP NYLON, GLASS FILLED, UL 94V-0  
COLOR: SEE TABLE ON SHEET 6 & 7  
TERMINAL: COPPER ALLOY

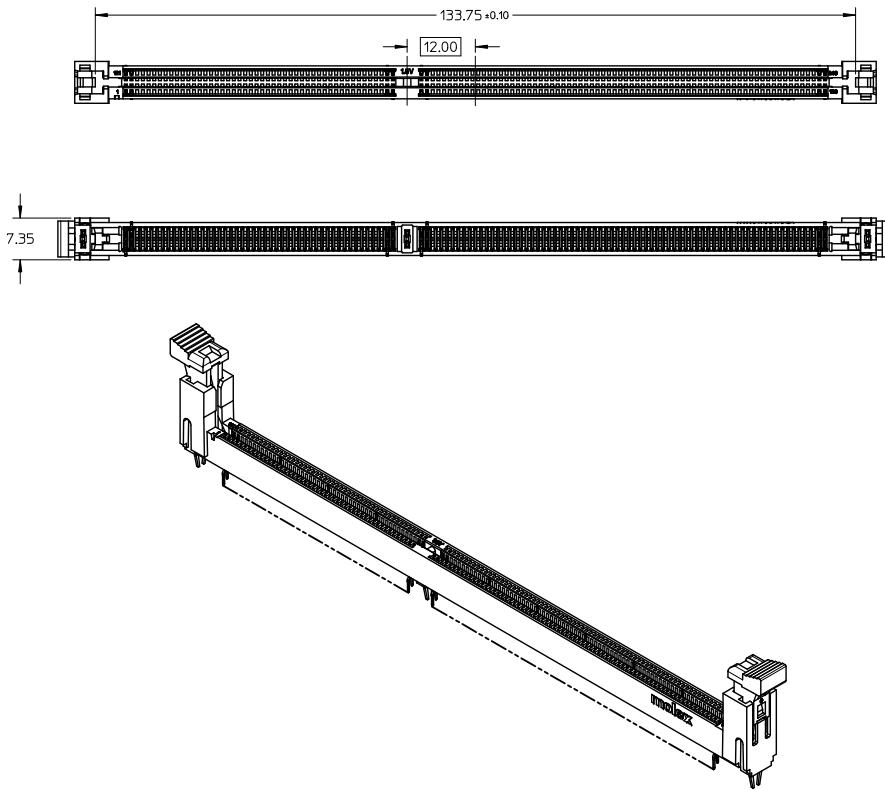
- FINISHES:  
TERMINAL PLATING OPTIONS - SEE TABLE ON SHEET 6 & 7
- PRODUCT SPECIFICATION: SEE TABLE ON SHEET 6 & 7
- PACKAGING INFORMATION: PRODUCT SHALL BE PACKED IN TRAY
- CARD SLOTS ACCEPTS 1.27+0.10MM MODULE THICKNESS (MEASURED FROM PC PADS)

- △ MOLEX LOGO, DATE CODE AND PART NO. INDICATED ON HOUSING
- △ MODULE SEATING PLANE FROM TOP OF PCB
- △ KEEP OUT ZONE RESERVED FOR LATCH

THIS DESIGN IS BASED ON DESIGN OBJECTIVES AND IS STRICTLY TENTATIVE. IT MAY CHANGE BASED ON RESULTS OF ADDITIONAL DESIGN REVIEWS & VERIFICATIONS.

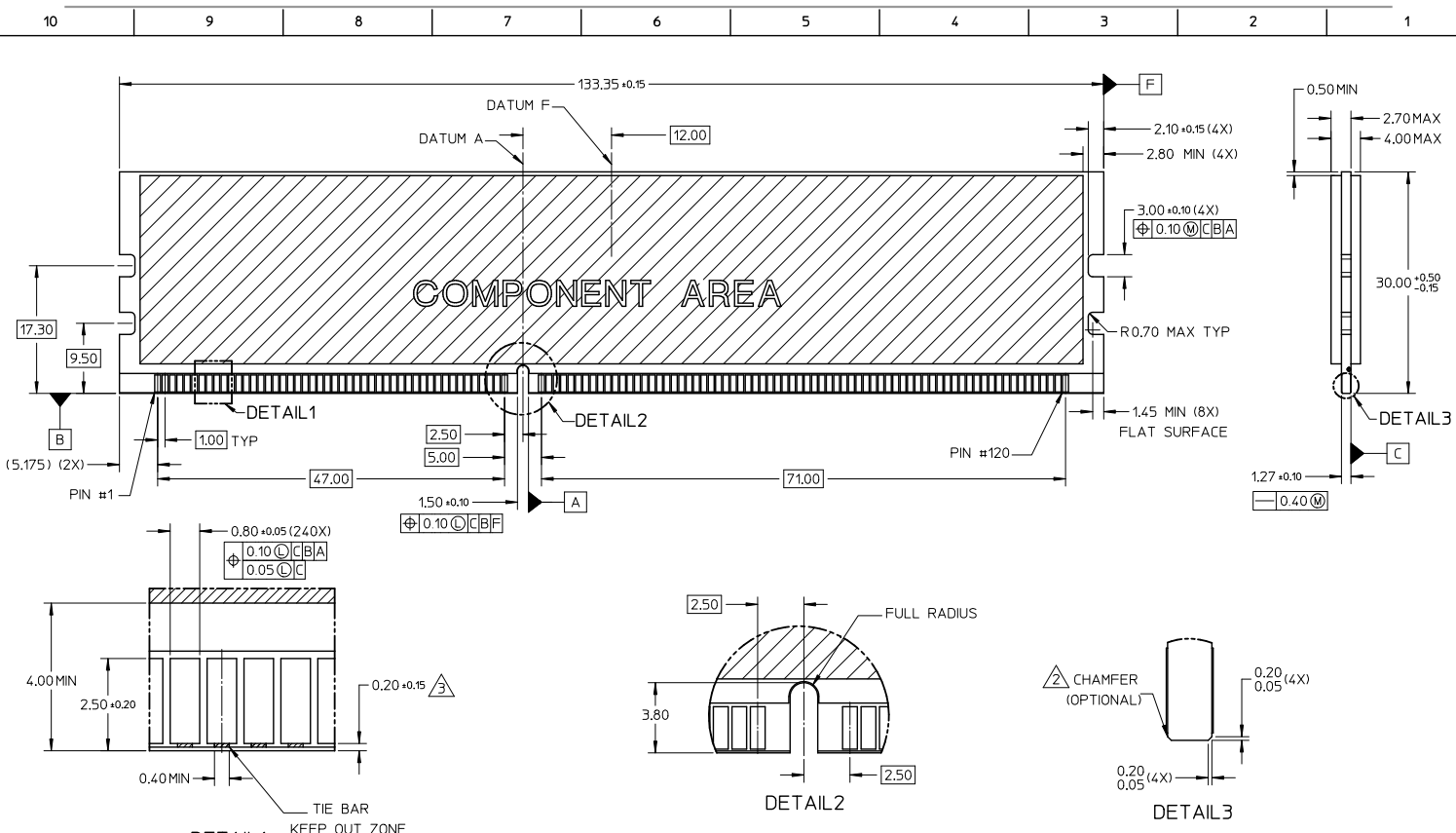
<b>FORKLOCK UPDATED</b> EC NO: S2010-0888 DRWN: JAKEW 2010/06/10 CHKD: CTEH 2010/06/10 APPR: SHLENI 2010/06/10	QUALITY SYMBOLS	GENERAL TOLERANCES (UNLESS SPECIFIED)	DIMENSION STYLE	SCALE	DESIGN UNITS	THIRD ANGLE PROJECTION
	√=0 √=0 √=0	4 PLACES ± --- ± --- 3 PLACES ± --- ± --- 2 PLACES ± 0.2 ± --- 1 PLACE ± --- ± --- ANGULAR ± 1°	MM ONLY	NTS	METRIC	DRAWN BY DATE YTYANG01 2007/09/24 CHECKED BY DATE CCTEH 2007/11/12 APPROVED BY DATE SHLENI 2010/06/10
		DRAFT WHERE APPLICABLE MUST REMAIN WITHIN DIMENSIONS	SEE TABLE			TITLE DDR3 DIMM, 1.00MM PITCH 240 CKTS, VERTICAL, T/H LOW LLCR MOLEX INCORPORATED DOCUMENT NO. SD-78321-001 SHEET NO. 1 OF 7
	10		SIZE A3	THIS DRAWING CONTAINS INFORMATION THAT IS PROPRIETARY TO MOLEX INCORPORATED AND SHOULD NOT BE USED WITHOUT WRITTEN PERMISSION		

10 9 8 7 6 5 4 3 2 1



<b>FORKLOCK UPDATED</b> EC NO: S2010-0888 DRAWN: JAKEWEN 2010/06/10 CHKD: CCTEH 2010/06/10 APPR: SHLENI 2010/06/10	QUALITY SYMBOLS $\nabla=0$ $\nabla=0$ $\nabla=0$	GENERAL TOLERANCES (UNLESS SPECIFIED) <table border="1"> <tr> <th></th> <th>mm</th> <th>INCH</th> </tr> <tr> <td>4 PLACES</td> <td>± ---</td> <td>± ---</td> </tr> <tr> <td>3 PLACES</td> <td>± ---</td> <td>± ---</td> </tr> <tr> <td>2 PLACES</td> <td>± 0.2</td> <td>± ---</td> </tr> <tr> <td>1 PLACE</td> <td>± ---</td> <td>± ---</td> </tr> <tr> <td colspan="3">ANGULAR ± 1 °</td> </tr> </table>		mm	INCH	4 PLACES	± ---	± ---	3 PLACES	± ---	± ---	2 PLACES	± 0.2	± ---	1 PLACE	± ---	± ---	ANGULAR ± 1 °			DIMENSION STYLE MM ONLY	SCALE NTS	DESIGN UNITS METRIC	THIRD ANGLE PROJECTION
		mm	INCH																					
	4 PLACES	± ---	± ---																					
	3 PLACES	± ---	± ---																					
2 PLACES	± 0.2	± ---																						
1 PLACE	± ---	± ---																						
ANGULAR ± 1 °																								
REV 10	DESCRIPTION	DRAFT WHERE APPLICABLE MUST REMAIN WITHIN DIMENSIONS	DRAWN BY YTYANG01	DATE 2007/09/24	TITLE DDR3 DIMM, 1.00MM PITCH 240 CKTS, VERTICAL, T/H LOW LLCR	MOLEX INCORPORATED																		
			CHECKED BY CCTEH	DATE 2007/11/12	APPROVED BY SHLENI	DATE 2010/06/10																		
			MATERIAL NO. SEE TABLE	DOCUMENT NO. SD-78321-001	SHEET NO. 2 OF 7	THIS DRAWING CONTAINS INFORMATION THAT IS PROPRIETARY TO MOLEX INCORPORATED AND SHOULD NOT BE USED WITHOUT WRITTEN PERMISSION																		

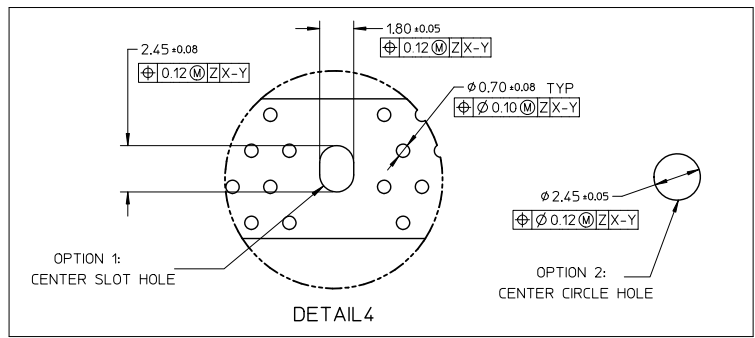
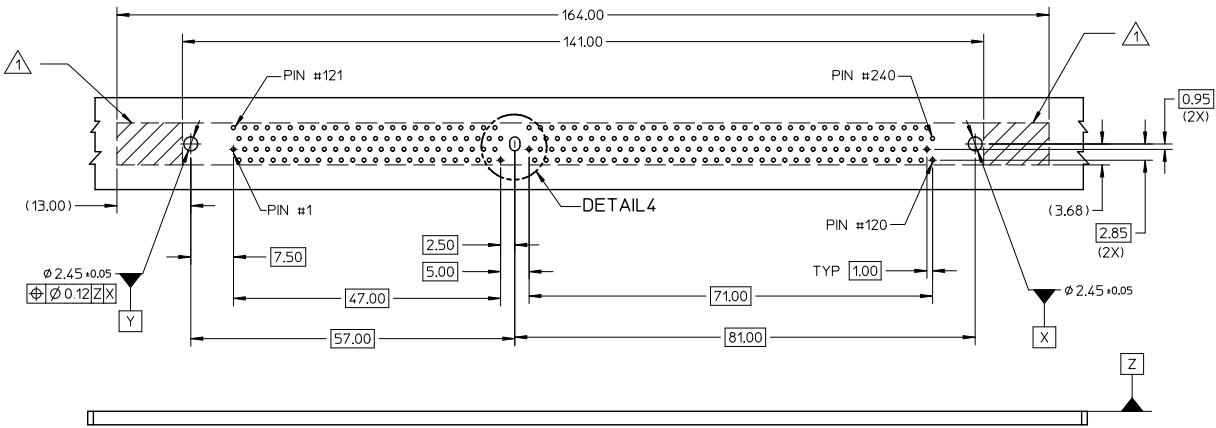
9 8 7 6 5 4 3 2 1



NOTES:  
 1. RECOMMENDED PLATING FOR CONTACT PADS:  
 PREFERRED: 0.76 MICROMETERS GOLD PLATING MIN OVER 2.00 MICROMETERS NICKEL  
 ALTERNATIVE: 0.05-0.75 MICROMETERS GOLD PLATING OVER 2.00 MICROMETERS NICKEL MUST USE AN ELECTRONIC CONTACT GRADE CORROSIVE BARRIER LUBRICANT  
 CHAMFER IS OPTIONAL AND IS NOT TO HIT THE GOLD PADS  
 LEADING EDGE OF GOLD PADS SPECIFIED BY KEEPOUT ZONE SHALL BE FREE OF BURRS AND EXTERNAL TIE BARS

FORKLOCK UPDATED EC NO: S2010-0888 DRAWN: JAKEWEN 2010/06/10 CHKD: CCTEH 2010/06/10 APPR: SHLENI 2010/06/10	QUALITY SYMBOLS	GENERAL TOLERANCES (UNLESS SPECIFIED)	DIMENSION STYLE	SCALE	DESIGN UNITS	THIRD ANGLE PROJECTION
	$\nabla=0$ $\nabla=0$ $\nabla=0$	4 PLACES ± --- ± --- 3 PLACES ± --- ± --- 2 PLACES ± 0.2 ± --- 1 PLACE ± --- ± --- ANGULAR ± 1°	MM ONLY	NTS	METRIC	
	DRAWN BY: YTYANG01 CHECKED BY: CCTEH APPROVED BY: SHLENI	DATE: 2007/09/24 DATE: 2007/11/12 DATE: 2010/06/10	TITLE			DDR3 DIMM, 1.00MM PITCH 240 CKTS, VERTICAL, T/H LOW LLCR
	MATERIAL NO. SEE TABLE SIZE: A3 THIS DRAWING CONTAINS INFORMATION THAT IS PROPRIETARY TO MOLEX INCORPORATED AND SHOULD NOT BE USED WITHOUT WRITTEN PERMISSION	MOLEX INCORPORATED DOCUMENT NO. SD-78321-001 SHEET NO. 3 OF 7				

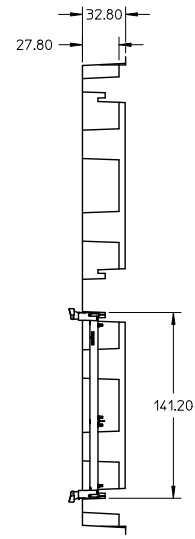
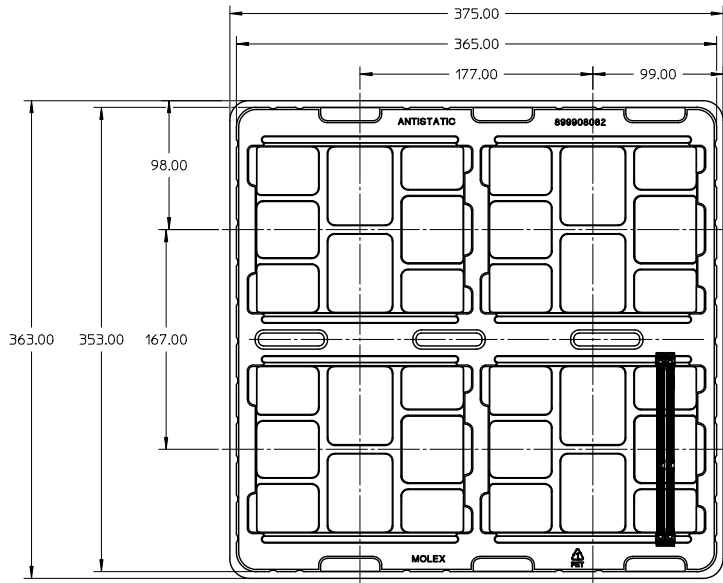
10 9 8 7 6 5 4 3 2 1



NOTE:  
KEEP-OUT AREA IS THE AREA WHERE THE CONNECTOR (INCLUDING LATCH) IS MOUNTED ON PCB

<b>FOR KLOCK UPDATED</b> EC NO: S2010-0888 DRAWN: JAKEWEN 2010/06/10 CHKD: CCTEH 2010/06/10 APPR: SHLENI 2010/06/10	QUALITY SYMBOLS	GENERAL TOLERANCES (UNLESS SPECIFIED)	DIMENSION STYLE	SCALE	DESIGN UNITS	THIRD ANGLE PROJECTION
	$\nabla=0$ $\nabla=0$ $\nabla=0$	mm INCH 4 PLACES ± --- ± --- 3 PLACES ± --- ± --- 2 PLACES ± 0.2 ± --- 1 PLACE ± --- ± --- ANGULAR ± 1°	MM ONLY	NTS	METRIC	☉ <input type="checkbox"/> <input checked="" type="checkbox"/>
	DRAWN BY: YTYANG01 CHECKED BY: CCTEH APPROVED BY: SHLENI	DATE: 2007/09/24 DATE: 2007/11/12 DATE: 2010/06/10	TITLE			DDR3 DIMM, 1.00MM PITCH 240 CKTS, VERTICAL, T/H LOW LLCR
	MATERIAL NO. SEE TABLE	DOCUMENT NO. SD-78321-001				MOLEX INCORPORATED SHEET NO. 4 OF 7

9 8 7 6 5 4 3 2 1



NOTES:  
1. QTY OF CAVITY : 20 X 4 = 80 PCS

FORKLOCK UPDATED EC NO: S2010-0888 DRAWN: JAKEWEN 2010/06/10 CHKD: CCTEH 2010/06/10 APPR: SHLENI 2010/06/10	QUALITY SYMBOLS	GENERAL TOLERANCES (UNLESS SPECIFIED)		DIMENSION STYLE MM ONLY		SCALE NTS	DESIGN UNITS METRIC	THIRD ANGLE PROJECTION
	▽=0	mm	INCH	DRAWN BY	DATE	TITLE		
	▽=0	4 PLACES ± --- ± ---	YTYANG01	2007/09/24	DDR3 DIMM, 1.00MM PITCH			
	▽=0	3 PLACES ± --- ± ---	CCTEH	2007/11/12	240 CKTS, VERTICAL, T/H			
10	2 PLACES ± 0.2 ± ---	ANGULAR ± 1 °		APPROVED BY	DATE	MOLEX INCORPORATED		SHEET NO.
REV	DESCRIPTION	DRAFT WHERE APPLICABLE MUST REMAIN WITHIN DIMENSIONS		MATERIAL NO.	DOCUMENT NO.	SD-78321-001		5 OF 7
				SIZE	THIS DRAWING CONTAINS INFORMATION THAT IS PROPRIETARY TO MOLEX INCORPORATED AND SHOULD NOT BE USED WITHOUT WRITTEN PERMISSION			

10 9 8 7 6 5 4 3 2 1

ASSEMBLY PART NO.	VOLTAGE KEY	DIM 'P'	FORKLOCK LENGTH	RECOMMENDED PCB THICKNESS	PLATING OPTION	HOUSING COLOUR	LATCH COLOUR	PRODUCT SPECIFICATION
78321-0011	CENTRE (1.5V)	2.67	3.94	1.57	0.76 MICROMETER/ 30 MICROINCH MIN. GOLD ON CONTACT 2.54 MICROMETER/ 100 MICROINCH MIN. PURE TIN (MATTE) ON SOLDER TAILS 1.27 MICROMETER/ 50 MICROINCH MIN. NICKEL UNDERPLATE	BLACK	BLACK	PS-78321-001
78321-0016							NATURAL (OFF-WHITE)	
78321-0013							BLACK	
78321-0017		NATURAL (OFF-WHITE)						
78321-0012		BLACK						
78321-0018		NATURAL (OFF-WHITE)						
78321-0001		2.67		1.57	0.38 MICROMETER/ 15 MICROINCH MIN. GOLD ON CONTACT 2.54 MICROMETER/ 100 MICROINCH MIN. PURE TIN (MATTE) ON SOLDER TAILS 1.27 MICROMETER/ 50 MICROINCH MIN. NICKEL UNDERPLATE		BLACK	PS-78321-002
78321-0006							NATURAL (OFF-WHITE)	
78321-0003							BLACK	
78321-0007		NATURAL (OFF-WHITE)						
78321-0002		BLACK						
78321-0008		NATURAL (OFF-WHITE)						

<b>FORKLOCK UPDATED</b> EC NO: S2010-0888 DRAWN: JAKEWEN 2010/06/10 CHKD: CTEH 2010/06/10 APPR: SHLENI 2010/06/13	QUALITY SYMBOLS	GENERAL TOLERANCES (UNLESS SPECIFIED)	DIMENSION STYLE	SCALE	DESIGN UNITS	THIRD ANGLE PROJECTION
	$\sqrt{\text{V}}=0$ $\sqrt{\text{V}}=0$ $\sqrt{\text{V}}=0$	4 PLACES ± --- ± --- 3 PLACES ± --- ± --- 2 PLACES ± 0.2 ± --- 1 PLACE ± --- ± --- ANGULAR ± 1 °	MM ONLY	NTS	METRIC	
	REV	DESCRIPTION	DRAWN BY	DATE	TITLE	
	10		YTYANG01	2007/09/24	DDR3 DIMM, 1.00MM PITCH 240 CKTS, VERTICAL, T/H LOW LLCR	
			CCTEH	2007/11/12		
			APPROVED BY	DATE		
			SHLENI	2010/06/10		
			MATERIAL NO.	DOCUMENT NO.		
			SEE TABLE	SD-78321-001		
			SIZE			
			A3			
			THIS DRAWING CONTAINS INFORMATION THAT IS PROPRIETARY TO MOLEX INCORPORATED AND SHOULD NOT BE USED WITHOUT WRITTEN PERMISSION			

9 8 7 6 5 4 3 2 1

10 9 8 7 6 5 4 3 2 1

ASSEMBLY PART NO.	VOLTAGE KEY	DIM 'P'	FORKLOCK LENGTH	RECOMMENDED PCB THICKNESS	PLATING OPTION	HOUSING COLOUR	LATCH COLOUR	PRODUCT SPECIFICATION			
78321-0051	CENTRE (1.5V)	3.18	3.18	2.36	0.76 MICROMETER/ 30 MICROINCH MIN. GOLD ON CONTACT 2.54 MICROMETER/ 100 MICROINCH MIN. PURE TIN (MATTE) ON SOLDER TAILS 1.27 MICROMETER/ 50 MICROINCH MIN. NICKEL UNDERPLATE	BLACK	NATURAL (OFF-WHITE)	PS-78321-001			
78321-0052						NATURAL (OFF-WHITE)					
78321-0053						BLUE					
78321-0055						GREEN					
78321-0151						BLACK					
78321-0152						NATURAL (OFF-WHITE)					
78321-0153		BLUE									
78321-0155		GREEN									
78321-0061		2.67	2.67	1.57		0.38 MICROMETER/ 15 MICROINCH MIN. GOLD ON CONTACT 2.54 MICROMETER/ 100 MICROINCH MIN. PURE TIN (MATTE) ON SOLDER TAILS 1.27 MICROMETER/ 50 MICROINCH MIN. NICKEL UNDERPLATE			BLACK	BLACK	PS-78321-002
78321-0062									NATURAL (OFF-WHITE)		
78321-0063									BLUE		
78321-0065									GREEN		
78321-0161					BLACK						
78321-0162					NATURAL (OFF-WHITE)						
78321-0163		BLUE									
78321-0165		GREEN									
78321-0261		3.18	3.18	2.36	0.38 MICROMETER/ 15 MICROINCH MIN. GOLD ON CONTACT 2.54 MICROMETER/ 100 MICROINCH MIN. PURE TIN (MATTE) ON SOLDER TAILS 1.27 MICROMETER/ 50 MICROINCH MIN. NICKEL UNDERPLATE		BLACK	BLACK	PS-78321-002		
78321-0262							NATURAL (OFF-WHITE)				
78321-0263							BLUE				
78321-0265							GREEN				
78321-0361						BLACK					
78321-0362						NATURAL (OFF-WHITE)					
78321-0363		BLUE									
78321-0365		2.67	2.67	1.57		0.38 MICROMETER/ 15 MICROINCH MIN. GOLD ON CONTACT 2.54 MICROMETER/ 100 MICROINCH MIN. PURE TIN (MATTE) ON SOLDER TAILS 1.27 MICROMETER/ 50 MICROINCH MIN. NICKEL UNDERPLATE	GREEN			BLACK	PS-78321-002

<b>FORKLOCK UPDATED</b> EC NO: S2010-0888 DRAWN: JAKEEM 2010/06/10 CHKD: CTEH 2010/06/10 APPR: SHLENI 2010/06/10	QUALITY SYMBOLS ∇=0 ∇=0 ∇=0	GENERAL TOLERANCES (UNLESS SPECIFIED)		DIMENSION STYLE		SCALE	DESIGN UNITS	THIRD ANGLE PROJECTION
				MM ONLY		NTS	METRIC	
				DRAWN BY DATE		TITLE		
				CHECKED BY DATE		MOLEX INCORPORATED		
		APPROVED BY DATE		MATERIAL NO.		DOCUMENT NO.		SHEET NO.
		ANGULAR ± 1 °		SEE TABLE		SD-78321-001		7 OF 7
		DRAFT WHERE APPLICABLE MUST REMAIN WITHIN DIMENSIONS		SIZE A3		THIS DRAWING CONTAINS INFORMATION THAT IS PROPRIETARY TO MOLEX INCORPORATED AND SHOULD NOT BE USED WITHOUT WRITTEN PERMISSION		

9 8 7 6 5 4 3 2 1