

## Excellent Integrated System Limited

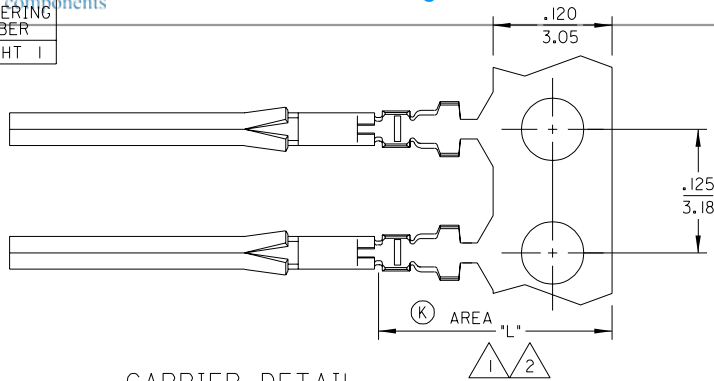
Stocking Distributor

Click to view price, real time Inventory, Delivery & Lifecycle Information:

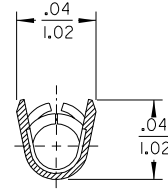
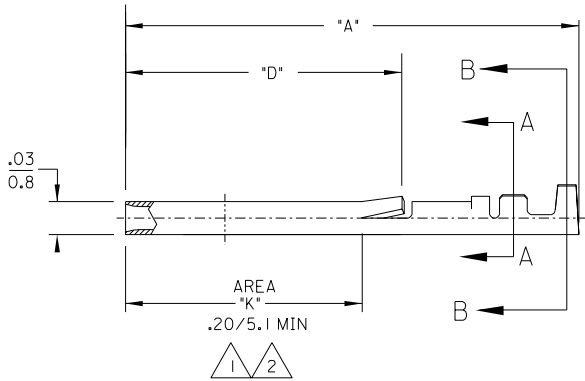
[Molex Connector Corporation](#)  
[0830009547](#)

For any questions, you can email us directly:  
[sales@integrated-circuit.com](mailto:sales@integrated-circuit.com)

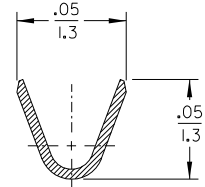
MATERIAL NUMBER	ENGINEERING NUMBER
SEE SHT 1	SEE SHT 1



CARRIER DETAIL



SECTION A-A  
SCALE: NONE



SECTION B-B  
SCALE: NONE

SALES DRAWING

ETC2003-0182 EC NO. ETC2003-0190 DRAWN BY: BRE CHK: HEB/JAL APPR: RWD	REV K	DESCRIPTION	QUALITY SYMBOLS MAJOR =0 CRITICAL C/-0	GENERAL TOLERANCES: (UNLESS SPECIFIED)		SCALE NO: NE	DESIGN UNITS <input type="checkbox"/> mm <input checked="" type="checkbox"/> INCH	DIMENSIONS: <input type="checkbox"/> mm <input checked="" type="checkbox"/> INCH <input type="checkbox"/> mm ONLY		SHT	REV	
				4 PLACES ±0.1	±.	DRAWN BY & DATE BRE 02/01/22	THIRD ANGLE PROJECTION		TITLE: CONTACT, SOCKET	REVISE ON CAD ONLY		
				3 PLACES ±0.1	±.005	CHECKED BY & DATE HEB 02/01/22	MATERIAL NO. SEE CHART		DRAWING NO. SD-83000-002	SHEET NO. 2 OF 2	SIZE B	
				2 PLACES ±0.13	±.010	APPROVED BY & DATE RWD 02/01/22	MATERIAL NO. SEE CHART		DRAWING NO. SD-83000-002	SHEET NO. 2 OF 2	SIZE B	
				1 PLACE ±0.3	±.	C4D FILENAME SD83000002.DGN		MATERIAL NO. SEE CHART		DRAWING NO. SD-83000-002	SHEET NO. 2 OF 2	SIZE B
				ANGULAR: ± 1/2 °		DRAFT WHERE APPLICABLE MUST REMAIN WITHIN DIMENSIONS		THIS DRAWING CONTAINS INFORMATION THAT IS PROPRIETARY TO MOLEX INCORPORATED AND SHOULD NOT BE USED WITHOUT WRITTEN PERMISSION.				