



Distributor of Molex Connector Corporation: Excellent Integrated System Limited
Datasheet of 0873814017 - Connector Receptacle 40 Position 0.079" (2.00mm) Gold Surface
Mount

Contact us: sales@integrated-circuit.com Website: www.integrated-circuit.com

Excellent Integrated System Limited

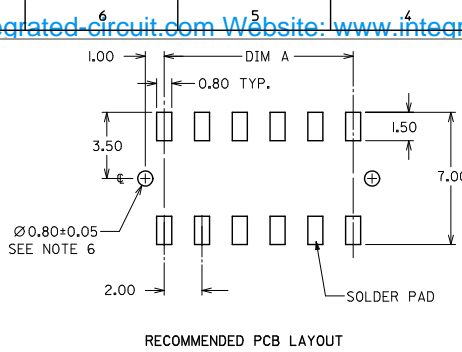
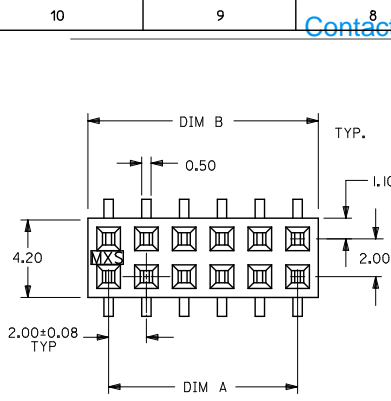
Stocking Distributor

Click to view price, real time Inventory, Delivery & Lifecycle Information:

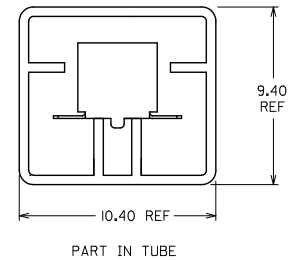
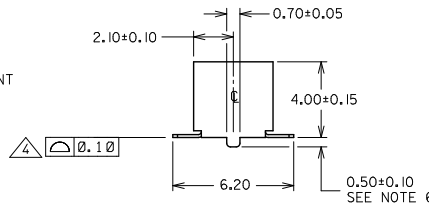
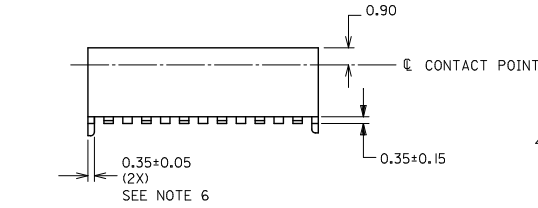
[Molex Connector Corporation](#)
[0873814017](#)

For any questions, you can email us directly:
sales@integrated-circuit.com

Contact us: sales@integrated-circuit.com Website: www.integrated-circuit.com



PART NUMBER	CKT. SIZE	DIM A	DIM B
87381-06**	6	4.00	6.00
87381-08**	8	6.00	8.00
87381-10**	10	8.00	10.00
87381-12**	12	10.00	12.00
87381-14**	14	12.00	14.00
87381-16**	16	14.00	16.00
87381-18**	18	16.00	18.00
87381-20**	20	18.00	20.00
87381-22**	22	20.00	22.00
87381-24**	24	22.00	24.00
87381-26**	26	24.00	26.00
87381-28**	28	26.00	28.00
87381-30**	30	28.00	30.00
87381-32**	32	30.00	32.00
87381-34**	34	32.00	34.00
87381-36**	36	34.00	36.00
87381-38**	38	36.00	38.00
87381-40**	40	38.00	40.00
87381-42**	42	40.00	42.00
87381-44**	44	42.00	44.00
87381-46**	46	44.00	46.00
87381-48**	48	46.00	48.00
87381-50**	50	48.00	50.00



NOTES:

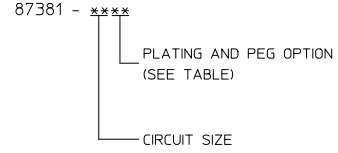
- PLATING FINISH :
GOLD PLATING OPTION IN CONTACT AREA (SEE SHT 2)
TIN IN SOLDER TAIL AREA
BOTH OVER 1.27µm MIN NICKEL OVERALL
- 12 CKT SIZE SHOWN FOR ILLUSTRATION ONLY. SEE CHART FOR ALL AVAILABLE PART SIZES
- PRODUCT SPECIFICATION PS-87380 APPLIES
COPLANARITY OF SOLDER TAILS ARE TO BE MEASURED BY RESTING THE PART ON A FLAT GAUGE SURFACE
+0.05 UPWARDS AND -0.05 DOWNWARDS
- OTHER PLATING OPTIONS AVAILABLE, PLEASE CONTACT FACTORY
- PEG AND PCB HOLE OPTIONAL, SEE PART LEGEND FOR PART CONFIGURATION
- PARTS SHALL BE PACKED IN MOISTURE BARRIER BAG.

REVISE NOTE 4. EC NO: S2012-0026 DRAWN:SKANG CHKD:ATSEE APPR:HLONG 2011/07/29 2011/08/03 2011/08/03	QUALITY SYMBOLS $\sqrt{\text{R}}=0$ $\sqrt{\text{S}}=0$ $\sqrt{\text{A}}=0$	GENERAL TOLERANCES (UNLESS SPECIFIED)		DIMENSION STYLE MM ONLY		SCALE NTS	DESIGN UNITS METRIC	THIRD ANGLE PROJECTION
		4 PLACES ± --- ± --- 3 PLACES ± --- ± --- 2 PLACES ± 0.10 ± --- 1 PLACE ± --- ± --- ANGULAR ± 3°	mm INCH	DRAWN BY TAY 1993/01/21	DATE 1993/01/21	CHECKED BY SKTOH 1993/01/26	DATE 1993/01/26	MGRID 4MM HT., WITH LOC. PEG
MATERIAL NO. SEE TABLE	APPROVED BY RWONG 1993/01/27	DATE 1993/01/27	MOLEX INCORPORATED	DOCUMENT NO. SD-87381-****	SHEET NO. 1 OF 2	THIS DRAWING CONTAINS INFORMATION THAT IS PROPRIETARY TO MOLEX INCORPORATED AND SHOULD NOT BE USED WITHOUT WRITTEN PERMISSION		

Contact us: sales@integrated-circuit.com Website: www.integrated-circuit.com

PLATING OPTION			
PEG OPTION	0.05um MIN GOLD 190um MIN TIN	0.76um MIN GOLD 1.27um MIN TIN	0.38um MIN GOLD 1.27um MIN TIN
NO	**37	**07	**08
YES	**38	**17	**18

PART NUMBER LEGEND



REVISE NOTE 4. EC NO: S2012-0026 DRAWN: SKANG 2011/07/29 CHK: DATSEE 2011/08/03 APPR: HLONG 2011/08/03	QUALITY SYMBOLS	GENERAL TOLERANCES (UNLESS SPECIFIED)		DIMENSION STYLE MM ONLY		SCALE NTS	DESIGN UNITS METRIC	THIRD ANGLE PROJECTION	
	▽=0	4 PLACES	± ---	± ---	DRAWN BY	DATE	TITLE		
	▽=0	3 PLACES	± ---	± ---	TAY	1993/01/21	MGRID 4MM HT., WITH LOC. PEG		
	▽=0	2 PLACES	± 0.10	± ---	CHECKED BY	DATE	MATERIAL NO.		
	1 PLACE	± ---	± ---	SKTOH	1993/01/26	DOCUMENT NO.			
	ANGULAR ± 3 °				APPROVED BY	DATE	SHEET NO.		
	DRAFT WHERE APPLICABLE MUST REMAIN WITHIN DIMENSIONS				RWONG	1993/01/27	2 OF 2		
					SEE TABLE		MOLEX INCORPORATED		
					THIS DRAWING CONTAINS INFORMATION THAT IS PROPRIETARY TO MOLEX INCORPORATED AND SHOULD NOT BE USED WITHOUT WRITTEN PERMISSION		SD-87381-****		