

Excellent Integrated System Limited

Stocking Distributor

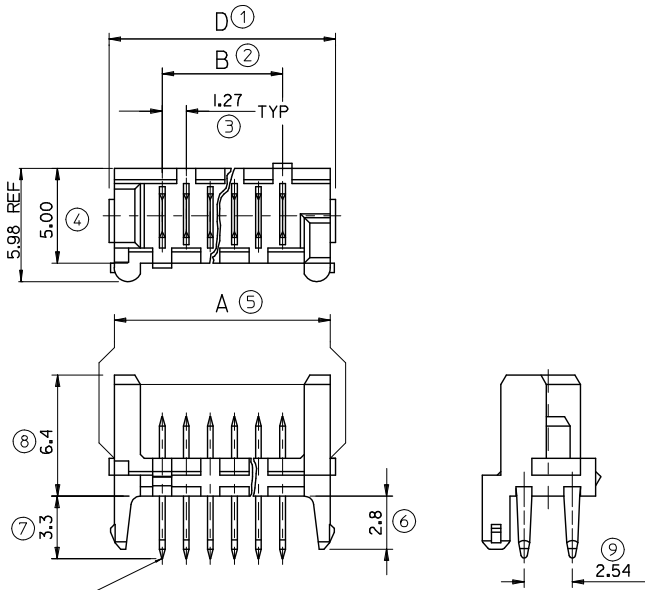
Click to view price, real time Inventory, Delivery & Lifecycle Information:

[Molex Connector Corporation](#)
[0903253022](#)

For any questions, you can email us directly:

sales@integrated-circuit.com

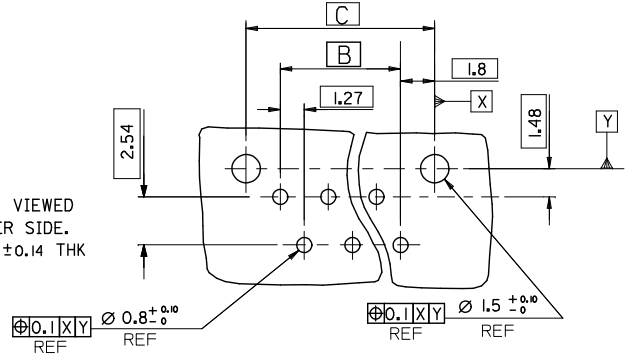
10 9 8 7 6 5 4 3 2 1



90325 - **26	26	36.80	31.75	35.35	37.26
- **24	24	34.26	29.21	32.81	34.72
- **22	22	31.72	26.67	30.27	32.18
- **20	20	29.18	24.13	27.73	29.64
- **18	18	26.64	21.59	25.19	27.10
- **16	16	24.10	19.05	22.65	24.56
- **14	14	21.56	16.51	20.11	22.02
- **12	12	19.02	13.97	17.57	19.48
- **10	10	16.48	11.43	15.03	16.94
- **08	8	13.94	8.89	12.49	14.40
- **06	6	11.40	6.35	9.95	11.86
90325 - **04	4	8.86	3.81	7.41	9.32
PART NO.	NO. OF CKTS	DIM. A	DIM. B	DIM. C	DIM. D

CIRCUIT No. 1 90325- * * * *
 * * * * CIRCUIT SIZE 04 CKT TO 26 CKT
 0 = HOUSING : COLOUR BLACK
 9 = HOUSING : CUSTOMER SPECIFIC (COLOUR BLACK)
 0= 3-5um TIN ASSY
 3= 0.6um PALLADIUM NICKEL ASSY
 5= NON STANDARD VOIDED OPTION SEE SHEET 2 TUBED
 6= ROUND PEG WITH KINKS OPTION SEE SHEET 3
 7= 0.6um PALLADIUM NICKEL, TUBED
 9= 3-5um TIN ASSY TUBED

PCB LAYOUT VIEWED FROM SOLDER SIDE. BOARD 1.60±0.14 THK



INSPECTION NUMBERS USED ON SHEET 1: 1-20
 LAST INSPECTION NUMBER USED: 9

NOTES:
 1. HOUSING MATL. POLYESTER PBT 15% GLASS FILLED TO UL94 V-0.
 2. TER. MATL. BRASS 0.28 THK
 PLATING, TIN: 1.27um MIN NICKEL UNDER 3-5um TIN
 PLATING PALLADIUM NICKEL (PdNi): 1.27um MIN. NICKEL UNDER 3-5um SELECTIVE TIN AND 0.6um PdNi UNDER 0.05um GOLD FLASH
 3. CONFORMS TO PRODUCT SPECIFICATION PS-99020-0011
 4. PACKAGING SPECIFICATION: PK-90325-001

REVISIONS REV 1: 2011/07/17 REV 2: 2012/03/29 REV 3: 2012/07/17 REV 4: 2012/07/17 REV 5: 2012/07/17 REV 6: 2012/07/17 REV 7: 2012/07/17 REV 8: 2012/07/17 REV 9: 2012/07/17 REV 10: 2012/07/17 REV 11: 2012/07/17 REV 12: 2012/07/17 REV 13: 2012/07/17 REV 14: 2012/07/17 REV 15: 2012/07/17 REV 16: 2012/07/17 REV 17: 2012/07/17 REV 18: 2012/07/17 REV 19: 2012/07/17 REV 20: 2012/07/17 REV 21: 2012/07/17 REV 22: 2012/07/17 REV 23: 2012/07/17 REV 24: 2012/07/17 REV 25: 2012/07/17 REV 26: 2012/07/17 REV 27: 2012/07/17 REV 28: 2012/07/17 REV 29: 2012/07/17 REV 30: 2012/07/17 REV 31: 2012/07/17 REV 32: 2012/07/17 REV 33: 2012/07/17 REV 34: 2012/07/17 REV 35: 2012/07/17 REV 36: 2012/07/17 REV 37: 2012/07/17 REV 38: 2012/07/17 REV 39: 2012/07/17 REV 40: 2012/07/17 REV 41: 2012/07/17 REV 42: 2012/07/17 REV 43: 2012/07/17 REV 44: 2012/07/17 REV 45: 2012/07/17 REV 46: 2012/07/17 REV 47: 2012/07/17 REV 48: 2012/07/17 REV 49: 2012/07/17 REV 50: 2012/07/17 REV 51: 2012/07/17 REV 52: 2012/07/17 REV 53: 2012/07/17 REV 54: 2012/07/17 REV 55: 2012/07/17 REV 56: 2012/07/17 REV 57: 2012/07/17 REV 58: 2012/07/17 REV 59: 2012/07/17 REV 60: 2012/07/17 REV 61: 2012/07/17 REV 62: 2012/07/17 REV 63: 2012/07/17 REV 64: 2012/07/17 REV 65: 2012/07/17 REV 66: 2012/07/17 REV 67: 2012/07/17 REV 68: 2012/07/17 REV 69: 2012/07/17 REV 70: 2012/07/17 REV 71: 2012/07/17 REV 72: 2012/07/17 REV 73: 2012/07/17 REV 74: 2012/07/17 REV 75: 2012/07/17 REV 76: 2012/07/17 REV 77: 2012/07/17 REV 78: 2012/07/17 REV 79: 2012/07/17 REV 80: 2012/07/17 REV 81: 2012/07/17 REV 82: 2012/07/17 REV 83: 2012/07/17 REV 84: 2012/07/17 REV 85: 2012/07/17 REV 86: 2012/07/17 REV 87: 2012/07/17 REV 88: 2012/07/17 REV 89: 2012/07/17 REV 90: 2012/07/17 REV 91: 2012/07/17 REV 92: 2012/07/17 REV 93: 2012/07/17 REV 94: 2012/07/17 REV 95: 2012/07/17 REV 96: 2012/07/17 REV 97: 2012/07/17 REV 98: 2012/07/17 REV 99: 2012/07/17 REV 100: 2012/07/17 REV 101: 2012/07/17 REV 102: 2012/07/17 REV 103: 2012/07/17 REV 104: 2012/07/17 REV 105: 2012/07/17 REV 106: 2012/07/17 REV 107: 2012/07/17 REV 108: 2012/07/17 REV 109: 2012/07/17 REV 110: 2012/07/17 REV 111: 2012/07/17 REV 112: 2012/07/17 REV 113: 2012/07/17 REV 114: 2012/07/17 REV 115: 2012/07/17 REV 116: 2012/07/17 REV 117: 2012/07/17 REV 118: 2012/07/17 REV 119: 2012/07/17 REV 120: 2012/07/17 REV 121: 2012/07/17 REV 122: 2012/07/17 REV 123: 2012/07/17 REV 124: 2012/07/17 REV 125: 2012/07/17 REV 126: 2012/07/17 REV 127: 2012/07/17 REV 128: 2012/07/17 REV 129: 2012/07/17 REV 130: 2012/07/17 REV 131: 2012/07/17 REV 132: 2012/07/17 REV 133: 2012/07/17 REV 134: 2012/07/17 REV 135: 2012/07/17 REV 136: 2012/07/17 REV 137: 2012/07/17 REV 138: 2012/07/17 REV 139: 2012/07/17 REV 140: 2012/07/17 REV 141: 2012/07/17 REV 142: 2012/07/17 REV 143: 2012/07/17 REV 144: 2012/07/17 REV 145: 2012/07/17 REV 146: 2012/07/17 REV 147: 2012/07/17 REV 148: 2012/07/17 REV 149: 2012/07/17 REV 150: 2012/07/17 REV 151: 2012/07/17 REV 152: 2012/07/17 REV 153: 2012/07/17 REV 154: 2012/07/17 REV 155: 2012/07/17 REV 156: 2012/07/17 REV 157: 2012/07/17 REV 158: 2012/07/17 REV 159: 2012/07/17 REV 160: 2012/07/17 REV 161: 2012/07/17 REV 162: 2012/07/17 REV 163: 2012/07/17 REV 164: 2012/07/17 REV 165: 2012/07/17 REV 166: 2012/07/17 REV 167: 2012/07/17 REV 168: 2012/07/17 REV 169: 2012/07/17 REV 170: 2012/07/17 REV 171: 2012/07/17 REV 172: 2012/07/17 REV 173: 2012/07/17 REV 174: 2012/07/17 REV 175: 2012/07/17 REV 176: 2012/07/17 REV 177: 2012/07/17 REV 178: 2012/07/17 REV 179: 2012/07/17 REV 180: 2012/07/17 REV 181: 2012/07/17 REV 182: 2012/07/17 REV 183: 2012/07/17 REV 184: 2012/07/17 REV 185: 2012/07/17 REV 186: 2012/07/17 REV 187: 2012/07/17 REV 188: 2012/07/17 REV 189: 2012/07/17 REV 190: 2012/07/17 REV 191: 2012/07/17 REV 192: 2012/07/17 REV 193: 2012/07/17 REV 194: 2012/07/17 REV 195: 2012/07/17 REV 196: 2012/07/17 REV 197: 2012/07/17 REV 198: 2012/07/17 REV 199: 2012/07/17 REV 200: 2012/07/17 REV 201: 2012/07/17 REV 202: 2012/07/17 REV 203: 2012/07/17 REV 204: 2012/07/17 REV 205: 2012/07/17 REV 206: 2012/07/17 REV 207: 2012/07/17 REV 208: 2012/07/17 REV 209: 2012/07/17 REV 210: 2012/07/17 REV 211: 2012/07/17 REV 212: 2012/07/17 REV 213: 2012/07/17 REV 214: 2012/07/17 REV 215: 2012/07/17 REV 216: 2012/07/17 REV 217: 2012/07/17 REV 218: 2012/07/17 REV 219: 2012/07/17 REV 220: 2012/07/17 REV 221: 2012/07/17 REV 222: 2012/07/17 REV 223: 2012/07/17 REV 224: 2012/07/17 REV 225: 2012/07/17 REV 226: 2012/07/17 REV 227: 2012/07/17 REV 228: 2012/07/17 REV 229: 2012/07/17 REV 230: 2012/07/17 REV 231: 2012/07/17 REV 232: 2012/07/17 REV 233: 2012/07/17 REV 234: 2012/07/17 REV 235: 2012/07/17 REV 236: 2012/07/17 REV 237: 2012/07/17 REV 238: 2012/07/17 REV 239: 2012/07/17 REV 240: 2012/07/17 REV 241: 2012/07/17 REV 242: 2012/07/17 REV 243: 2012/07/17 REV 244: 2012/07/17 REV 245: 2012/07/17 REV 246: 2012/07/17 REV 247: 2012/07/17 REV 248: 2012/07/17 REV 249: 2012/07/17 REV 250: 2012/07/17 REV 251: 2012/07/17 REV 252: 2012/07/17 REV 253: 2012/07/17 REV 254: 2012/07/17 REV 255: 2012/07/17 REV 256: 2012/07/17 REV 257: 2012/07/17 REV 258: 2012/07/17 REV 259: 2012/07/17 REV 260: 2012/07/17 REV 261: 2012/07/17 REV 262: 2012/07/17 REV 263: 2012/07/17 REV 264: 2012/07/17 REV 265: 2012/07/17 REV 266: 2012/07/17 REV 267: 2012/07/17 REV 268: 2012/07/17 REV 269: 2012/07/17 REV 270: 2012/07/17 REV 271: 2012/07/17 REV 272: 2012/07/17 REV 273: 2012/07/17 REV 274: 2012/07/17 REV 275: 2012/07/17 REV 276: 2012/07/17 REV 277: 2012/07/17 REV 278: 2012/07/17 REV 279: 2012/07/17 REV 280: 2012/07/17 REV 281: 2012/07/17 REV 282: 2012/07/17 REV 283: 2012/07/17 REV 284: 2012/07/17 REV 285: 2012/07/17 REV 286: 2012/07/17 REV 287: 2012/07/17 REV 288: 2012/07/17 REV 289: 2012/07/17 REV 290: 2012/07/17 REV 291: 2012/07/17 REV 292: 2012/07/17 REV 293: 2012/07/17 REV 294: 2012/07/17 REV 295: 2012/07/17 REV 296: 2012/07/17 REV 297: 2012/07/17 REV 298: 2012/07/17 REV 299: 2012/07/17 REV 300: 2012/07/17 REV 301: 2012/07/17 REV 302: 2012/07/17 REV 303: 2012/07/17 REV 304: 2012/07/17 REV 305: 2012/07/17 REV 306: 2012/07/17 REV 307: 2012/07/17 REV 308: 2012/07/17 REV 309: 2012/07/17 REV 310: 2012/07/17 REV 311: 2012/07/17 REV 312: 2012/07/17 REV 313: 2012/07/17 REV 314: 2012/07/17 REV 315: 2012/07/17 REV 316: 2012/07/17 REV 317: 2012/07/17 REV 318: 2012/07/17 REV 319: 2012/07/17 REV 320: 2012/07/17 REV 321: 2012/07/17 REV 322: 2012/07/17 REV 323: 2012/07/17 REV 324: 2012/07/17 REV 325: 2012/07/17 REV 326: 2012/07/17 REV 327: 2012/07/17 REV 328: 2012/07/17 REV 329: 2012/07/17 REV 330: 2012/07/17 REV 331: 2012/07/17 REV 332: 2012/07/17 REV 333: 2012/07/17 REV 334: 2012/07/17 REV 335: 2012/07/17 REV 336: 2012/07/17 REV 337: 2012/07/17 REV 338: 2012/07/17 REV 339: 2012/07/17 REV 340: 2012/07/17 REV 341: 2012/07/17 REV 342: 2012/07/17 REV 343: 2012/07/17 REV 344: 2012/07/17 REV 345: 2012/07/17 REV 346: 2012/07/17 REV 347: 2012/07/17 REV 348: 2012/07/17 REV 349: 2012/07/17 REV 350: 2012/07/17 REV 351: 2012/07/17 REV 352: 2012/07/17 REV 353: 2012/07/17 REV 354: 2012/07/17 REV 355: 2012/07/17 REV 356: 2012/07/17 REV 357: 2012/07/17 REV 358: 2012/07/17 REV 359: 2012/07/17 REV 360: 2012/07/17 REV 361: 2012/07/17 REV 362: 2012/07/17 REV 363: 2012/07/17 REV 364: 2012/07/17 REV 365: 2012/07/17 REV 366: 2012/07/17 REV 367: 2012/07/17 REV 368: 2012/07/17 REV 369: 2012/07/17 REV 370: 2012/07/17 REV 371: 2012/07/17 REV 372: 2012/07/17 REV 373: 2012/07/17 REV 374: 2012/07/17 REV 375: 2012/07/17 REV 376: 2012/07/17 REV 377: 2012/07/17 REV 378: 2012/07/17 REV 379: 2012/07/17 REV 380: 2012/07/17 REV 381: 2012/07/17 REV 382: 2012/07/17 REV 383: 2012/07/17 REV 384: 2012/07/17 REV 385: 2012/07/17 REV 386: 2012/07/17 REV 387: 2012/07/17 REV 388: 2012/07/17 REV 389: 2012/07/17 REV 390: 2012/07/17 REV 391: 2012/07/17 REV 392: 2012/07/17 REV 393: 2012/07/17 REV 394: 2012/07/17 REV 395: 2012/07/17 REV 396: 2012/07/17 REV 397: 2012/07/17 REV 398: 2012/07/17 REV 399: 2012/07/17 REV 400: 2012/07/17 REV 401: 2012/07/17 REV 402: 2012/07/17 REV 403: 2012/07/17 REV 404: 2012/07/17 REV 405: 2012/07/17 REV 406: 2012/07/17 REV 407: 2012/07/17 REV 408: 2012/07/17 REV 409: 2012/07/17 REV 410: 2012/07/17 REV 411: 2012/07/17 REV 412: 2012/07/17 REV 413: 2012/07/17 REV 414: 2012/07/17 REV 415: 2012/07/17 REV 416: 2012/07/17 REV 417: 2012/07/17 REV 418: 2012/07/17 REV 419: 2012/07/17 REV 420: 2012/07/17 REV 421: 2012/07/17 REV 422: 2012/07/17 REV 423: 2012/07/17 REV 424: 2012/07/17 REV 425: 2012/07/17 REV 426: 2012/07/17 REV 427: 2012/07/17 REV 428: 2012/07/17 REV 429: 2012/07/17 REV 430: 2012/07/17 REV 431: 2012/07/17 REV 432: 2012/07/17 REV 433: 2012/07/17 REV 434: 2012/07/17 REV 435: 2012/07/17 REV 436: 2012/07/17 REV 437: 2012/07/17 REV 438: 2012/07/17 REV 439: 2012/07/17 REV 440: 2012/07/17 REV 441: 2012/07/17 REV 442: 2012/07/17 REV 443: 2012/07/17 REV 444: 2012/07/17 REV 445: 2012/07/17 REV 446: 2012/07/17 REV 447: 2012/07/17 REV 448: 2012/07/17 REV 449: 2012/07/17 REV 450: 2012/07/17 REV 451: 2012/07/17 REV 452: 2012/07/17 REV 453: 2012/07/17 REV 454: 2012/07/17 REV 455: 2012/07/17 REV 456: 2012/07/17 REV 457: 2012/07/17 REV 458: 2012/07/17 REV 459: 2012/07/17 REV 460: 2012/07/17 REV 461: 2012/07/17 REV 462: 2012/07/17 REV 463: 2012/07/17 REV 464: 2012/07/17 REV 465: 2012/07/17 REV 466: 2012/07/17 REV 467: 2012/07/17 REV 468: 2012/07/17 REV 469: 2012/07/17 REV 470: 2012/07/17 REV 471: 2012/07/17 REV 472: 2012/07/17 REV 473: 2012/07/17 REV 474: 2012/07/17 REV 475: 2012/07/17 REV 476: 2012/07/17 REV 477: 2012/07/17 REV 478: 2012/07/17 REV 479: 2012/07/17 REV 480: 2012/07/17 REV 481: 2012/07/17 REV 482: 2012/07/17 REV 483: 2012/07/17 REV 484: 2012/07/17 REV 485: 2012/07/17 REV 486: 2012/07/17 REV 487: 2012/07/17 REV 488: 2012/07/17 REV 489: 2012/07/17 REV 490: 2012/07/17 REV 491: 2012/07/17 REV 492: 2012/07/17 REV 493:
