

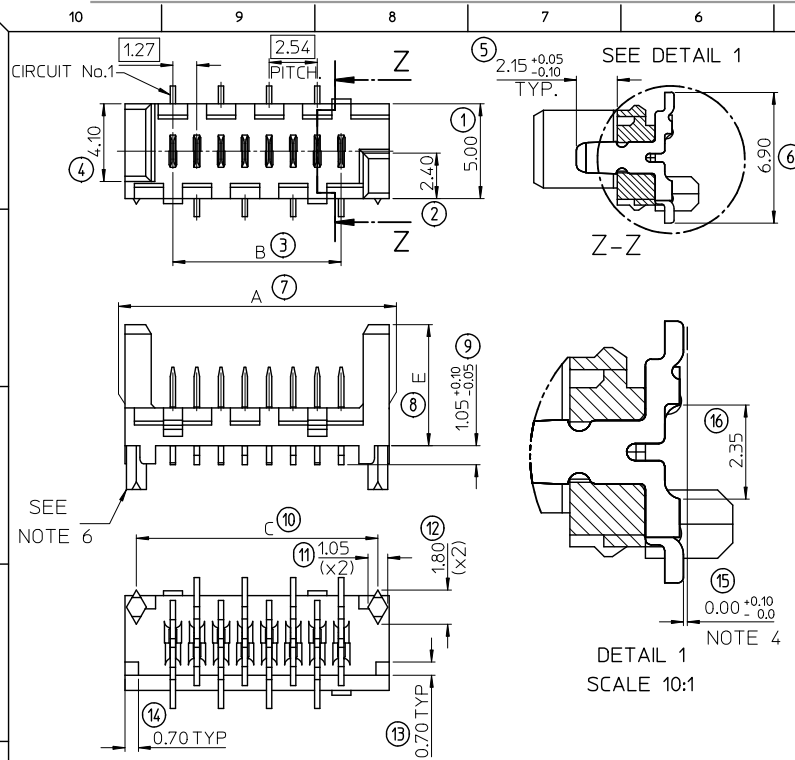
## **Excellent Integrated System Limited**

Stocking Distributor

Click to view price, real time Inventory, Delivery & Lifecycle Information:

[Molex Connector Corporation](#)  
[0934050326](#)

For any questions, you can email us directly:  
[sales@integrated-circuit.com](mailto:sales@integrated-circuit.com)



93405 -

CIRCUIT No.1

CIRCUIT SIZE

	PCB PEGS	TUBE PACKED	TAPE & REEL PACKED	POLARIZING PEG HEIGHT DIMM. E	
0	YES	YES	NO	6.40	STANDARD PROFILE
2	YES	NO	YES	6.40	REFLOW NOTE9
3	NO	YES	NO	6.40	
5	NO	NO	YES	6.40	
6	NO	YES	NO	4.10	LOW PROFILE
7	NO	NO	YES	4.10	REFLOW NOTE9
8	YES	YES	NO	4.10	
9	YES	NO	YES	4.10	

0= 3-5 MICROMETRE TIN VERSION  
3= 0.6 MICROMETRE PALLADIUM NICKEL VERSION

93405-***26	26	36.80	31.75	35.60	14	YES
93405-***24	24	34.26	29.21	33.06	15	YES
93405-***22	22	31.72	26.67	30.52	16	YES
93405-***20	20	29.18	24.13	27.98	18	YES
93405-***18	18	26.64	21.59	25.44	20	YES
93405-***16	16	24.10	19.05	22.90	22	YES
93405-***14	14	21.56	16.51	20.36	25	YES
93405-***12	12	19.02	13.97	17.82	28	YES
93405-***10	10	16.48	11.43	15.28	32	YES
93405-***08	8	13.94	8.89	12.74	38	YES
93405-***06	6	11.40	6.35	10.20	46	YES
93405-***04	4	8.86	3.81	7.66	60	YES

PART NO.	NUMBER OF CKTS	DIMM. A	DIMM. B	DIMM. C	QUANTITY OF PARTS PER TUBE (-#0**/-#3**/-#6** & -#8** VERSIONS)	TOOLED
93405-***26	26	36.80	31.75	35.60	14	YES
93405-***24	24	34.26	29.21	33.06	15	YES
93405-***22	22	31.72	26.67	30.52	16	YES
93405-***20	20	29.18	24.13	27.98	18	YES
93405-***18	18	26.64	21.59	25.44	20	YES
93405-***16	16	24.10	19.05	22.90	22	YES
93405-***14	14	21.56	16.51	20.36	25	YES
93405-***12	12	19.02	13.97	17.82	28	YES
93405-***10	10	16.48	11.43	15.28	32	YES
93405-***08	8	13.94	8.89	12.74	38	YES
93405-***06	6	11.40	6.35	10.20	46	YES
93405-***04	4	8.86	3.81	7.66	60	YES

- NOTES:
- 1- MATERIAL: HOUSING: NYLON (PA) GLASS FILLED, UL94 V-0, NATURAL (BEIGE)  
TERMINAL: CARTRIDGE BRASS 0.28 REF THICK
  - 2- PLATING: TIN (Sn) 3-5 MICROMETRE MIN OVER 1.27 MICROMETRE MIN NICKEL (Ni).  
PALLADIUM NICKEL (PdNi): 0.6 MICROMETRE SELECTIVE PdNi WITH 0.05 MICROMETRE GOLD FLASH IN CONTACT AREA AND 3-5 MICROMETRE SELECTIVE TIN IN SOLDER AREA ALL OVER 1.27 MICROMETRE NICKEL (Ni) UNDERCOAT.
  - 3- MATES WITH MOLEX 90327 SERIES.
  - 4- ALL SMT TAILS TO LIE WITHIN A COPLANARITY BAND OF 0.0 - 0.10 REF. FROM EACH OTHER.
  - 5- FOR TAPE AND REEL PACKAGING SEE SDA-90814-9001.  
FOR TUBE PACKAGING SEE PK-90814-001.
  - 6- PCB PEGS ARE OPTIONAL.
  - 7- PCB LAYOUT SHOWN ON SHEET 2
  - 8- PRODUCT SPECIFICATION: PS-99020-0011.
  - 9- FOR RECOMMENDED REFLOW PROFILES, REFER TO PS-99020-0011 APPENDIX B
- INSPECTION NUMBERS USED ON THIS SHEET 1 - 50  
LAST INSPECTION NUMBER: 16

ADDED SOLDER NOTE	EC. NO.	DATE	BY
D	1PG2015-1233	2015/01/08	DRYBYRNES
	CHKD:	2015/01/14	STGRFFIN
	APPR:		

QUALITY SYMBOLS	GENERAL TOLERANCES (UNLESS SPECIFIED)	DIMENSION STYLE	SCALE	DESIGN UNITS	THIRD ANGLE PROJECTION
▽=0	4 PLACES ± --- ± ---	MM ONLY	5:1	METRIC	THIRD ANGLE PROJECTION
▽=0	3 PLACES ± --- ± ---				
	2 PLACES ± 0.10 ± ---				
	1 PLACE ± 0.2 ± ---				
	0 PLACE ± --- ± ---				
	ANGULAR ± 2 °				

DRAWN BY	DATE	TITLE
DBYRNES	2012/05/28	REVERSE FOOTPRINT PICO FLEX SMT HEADER
CHECKED BY	DATE	
DSHEA	2012/06/22	
APPROVED BY	DATE	
EFOLAN	2012/06/27	

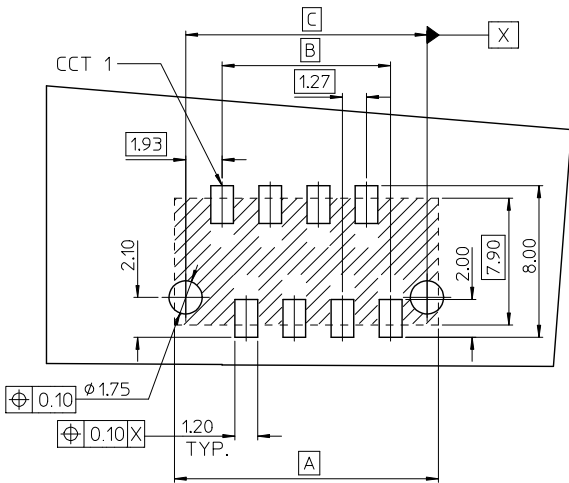
**molex**

SD-93405-001

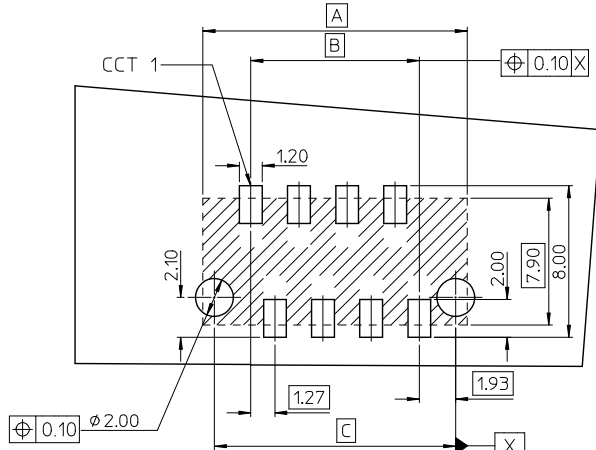
1 OF 2

THIS DRAWING CONTAINS INFORMATION THAT IS PROPRIETARY TO MOLEX INCORPORATED AND SHOULD NOT BE USED WITHOUT WRITTEN PERMISSION

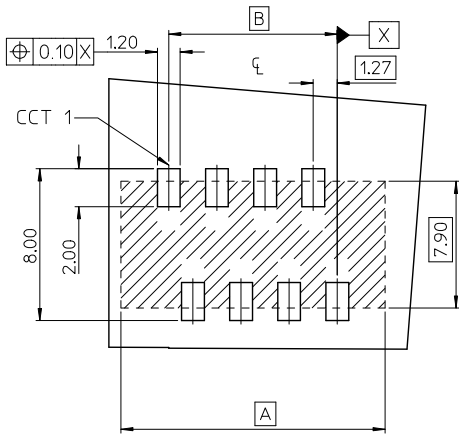
10 9 8 7 6 5 4 3 2 1



PCB LAYOUT FOR HEADERS WITH TRANSITION FIT PCB PEGS  
HEADER VERSIONS 93405-0\*\*/-\*2\*\*/-\*8\*\*/-\*9\*\*.



PCB LAYOUT FOR HEADERS WITH CLEARANCE FIT PCB PEGS  
HEADER VERSIONS 93405-0\*\*/-\*2\*\*/-\*8\*\*/-\*9\*\*.



PCB LAYOUT FOR HEADERS WITHOUT PCB PEGS  
HEADER VERSIONS 93405-3\*\*/-\*5\*\*/-\*6\*\*/-\*7\*\*.

RECOMMENDED  
REFERENCE DIMENSIONS ONLY  
VIEWED FROM COMPONENT SIDE  
PCB THICKNESS 1.60±0.14

93405-26	26	36.80	31.75	35.60
93405-24	24	34.26	29.21	33.06
93405-22	22	31.72	26.67	30.52
93405-20	20	29.18	24.13	27.98
93405-18	18	26.64	21.59	25.44
93405-16	16	24.10	19.05	22.90
93405-14	14	21.56	16.51	20.36
93405-12	12	19.02	13.97	17.82
93405-10	10	16.48	11.43	15.28
93405-08	8	13.94	8.89	12.74
93405-06	6	11.40	6.35	10.20
93405-04	4	8.86	3.81	7.66
PART NO.	NUMBER OF CKTS	DIMN. A	DIMN. B	DIMN. C

<b>MODIFIED PCB DIMS</b> EC NO: IFG2015-1233 DRAWN BY: DBYRNES 2015/01/08 CHKD: STGRFFIN 2015/01/14 APPR: STGRFFIN 2015/01/14	QUALITY SYMBOLS	GENERAL TOLERANCES (UNLESS SPECIFIED)	DIMENSION STYLE	SCALE	DESIGN UNITS	THIRD ANGLE PROJECTION
	$\nabla=0$ $\nabla=0$	mm INCH 4 PLACES ± --- ± --- 3 PLACES ± --- ± --- 2 PLACES ± 0.10 ± --- 1 PLACE ± 0.2 ± --- 0 PLACE ± --- ± ---	MM ONLY	5:1	METRIC	
		ANGULAR ± 2°	DRAWN BY DATE			
		DRAFT WHERE APPLICABLE MUST REMAIN WITHIN DIMENSIONS	DBYRNES 2012/05/28	TITLE		
		CHECKED BY DATE	REVERSE FOOTPRINT PICO FLEX SMT HEADER			
		DSHEA 2012/06/22				
		APPROVED BY DATE				
		EFOLAN 2012/06/27	MATERIAL NO.	DOCUMENT NO.	SHEET NO.	
			SEE CHART	SD-93405-001	2 OF 2	
			THIS DRAWING CONTAINS INFORMATION THAT IS PROPRIETARY TO MOLEX INCORPORATED AND SHOULD NOT BE USED WITHOUT WRITTEN PERMISSION			

9 8 7 6 5 4 3 2 1