

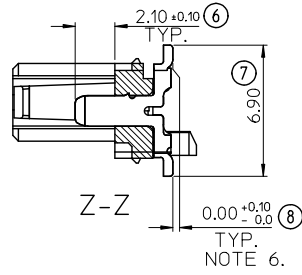
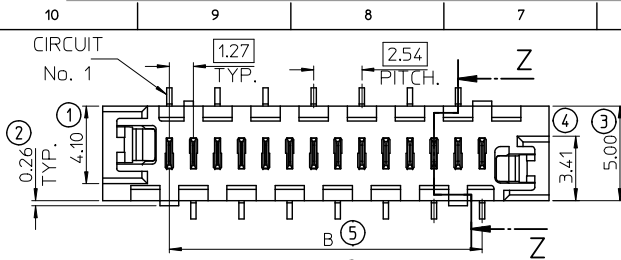
Excellent Integrated System Limited

Stocking Distributor

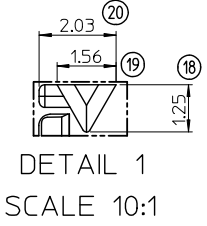
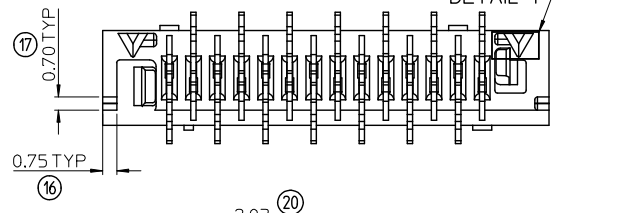
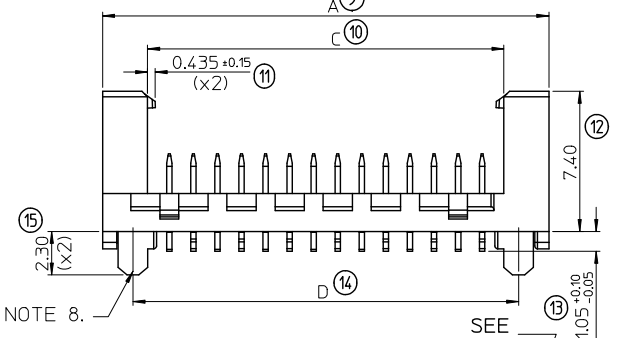
Click to view price, real time Inventory, Delivery & Lifecycle Information:

[Molex Connector Corporation](#)
[0934070304](#)

For any questions, you can email us directly:
sales@integrated-circuit.com



PART NO.	NUMBER OF CKTS	DIMN. A	DIMN. B	DIMN. C	DIMN. D	
93407-**04	4	10.86	3.81	6.11	7.66	NOTE 7
93407-**06	6	13.40	6.35	8.65	10.20	
93407-**08	8	15.94	8.89	11.19	12.74	
93407-**10	10	18.48	11.43	13.73	15.28	
93407-**12	12	21.02	13.97	16.27	17.82	
93407-**14	14	23.56	16.51	18.81	20.36	
93407-**16	16	26.10	19.05	21.35	22.90	
93407-**18	18	28.64	21.59	23.89	25.44	
93407-**20	20	31.18	24.13	26.43	27.98	
93407-**22	22	33.72	26.67	28.97	30.52	
93407-**24	24	36.26	29.21	31.51	33.06	
93407-**26	26	38.80	31.75	34.05	35.60	



NOTES:

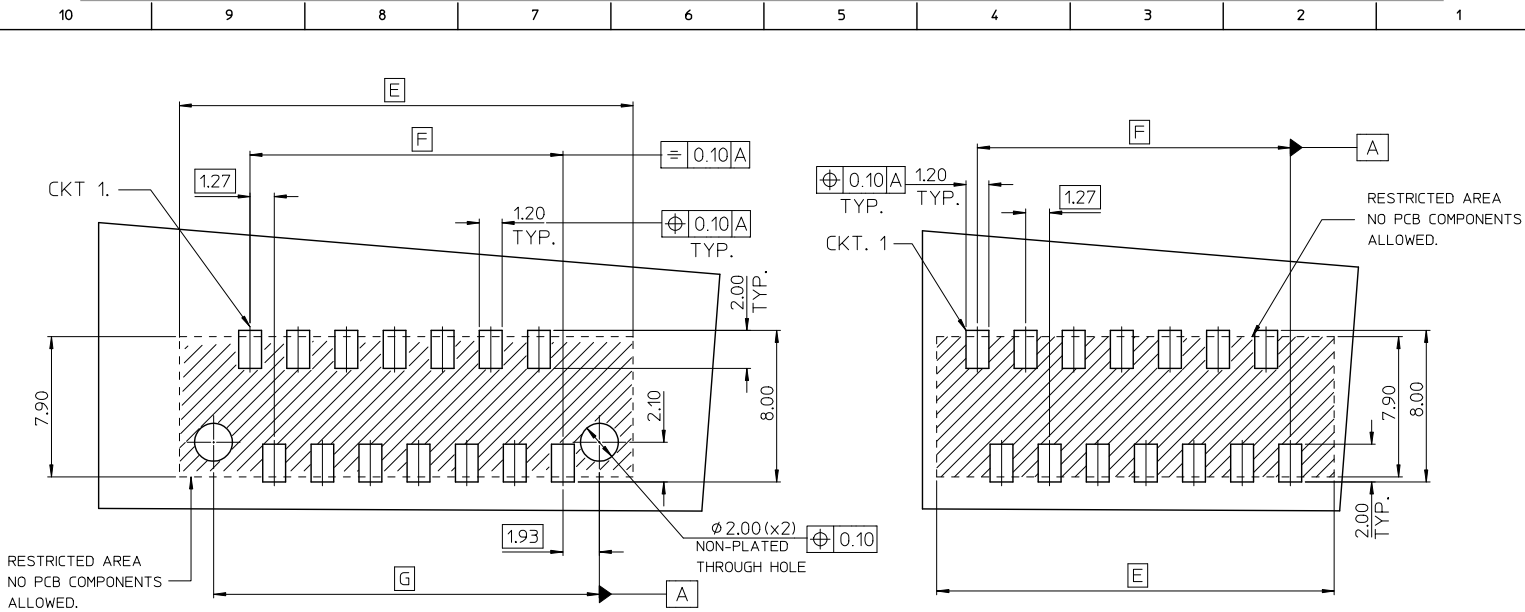
- MATERIAL HOUSING: PPA, GLASS-FILLED, COLOUR: BLACK, UL 94-HB TERMINAL: BRASS
 - FINISHES: TERMINAL PALLADIUM NICKEL (PdNi); CONTACT AREA: SELECTIVE PdNi; 0.6 MICROMETRE MINIMUM UNDER 0.05 MICROMETRE MINIMUM GOLD FLASH. SMT TAILS: TIN (Sn); 3 MICROMETRE MIN. ALL OVER NICKEL UNDERPLATE. TIN: 3 MICROMETRE MINIMUM OVER NICKEL UNDERPLATE.
 - PRODUCT SPECIFICATION: PS-99020-0011
 - PACKAGING SPECIFICATION: FOR TAPE AND REEL SEE: PK-90816-006 FOR TUBE SEE: PK-90816-007
 - MATES WITH MOLEX 90327 PART SERIES.
 - ALL SMT TAILS TO LIE WITHIN A COPLANARITY BAND OF 0 - 0.10 MICROMETRE REF. FROM EACH OTHER.
 - 4 CIRCUIT PART NOT AVAILABLE IN TAPE AND REEL.
 - PCB PEGS ARE OPTIONAL.
- LAST INSPECTION NUMBER USED: 20

93407 - * * * * CIRCUIT SIZE.

	PCB PEGS	TUBE PACKED	TAPE & REEL PACKED
0	YES	YES	NO
2	YES	NO	YES
3	NO	YES	NO
5	NO	NO	YES

0 = TIN VERSION
3 = PALLADIUM NICKEL VERSION

MODIFIED PCB DIMS EC NO: IFG2013-0901 DRAWN BY: DBYRNES 2013/01/18 CHECKED BY: CHYKORMAHER 2013/01/22 APPR: STGRITFIN 2013/01/23	QUALITY SYMBOLS ▽=0 ▽=0	GENERAL TOLERANCES (UNLESS SPECIFIED)		DIMENSION STYLE MM ONLY		SCALE 5:1	DESIGN UNITS METRIC	THIRD ANGLE PROJECTION		
		4 PLACES ± --- ± ---	3 PLACES ± --- ± ---	DRAWN BY DBYRNES	DATE 2012/05/29	TITLE REVERSE FOOTPRINT LATCHED PICO FLEX SMT HEADER				
		2 PLACES ± 0.25 ± ---	1 PLACE ± 0.35 ± ---	CHECKED BY DSHEA	DATE 2012/06/22	MATERIAL NO. SEE CHART		DOCUMENT NO. SD-93407-001	SHEET NO. 1 OF 2	
		0 PLACE ± --- ± ---		APPROVED BY EFOLAN		DATE 2012/06/27		THIS DRAWING CONTAINS INFORMATION THAT IS PROPRIETARY TO MOLEX INCORPORATED AND SHOULD NOT BE USED WITHOUT WRITTEN PERMISSION		



RECOMMENDED PCB THICKNESS 1.60±0.14
PCB LAYOUT FOR CLEARANCE FIT WITH PCB PEGS
VIEW FROM COMPONENT SIDE

PCB LAYOUT WITHOUT PCB PEGS
VIEW FROM COMPONENT SIDE

93407-**-26	26	38.80	31.75	35.60
93407-**-24	24	36.26	29.21	33.06
93407-**-22	22	33.72	26.67	30.52
93407-**-20	20	31.18	24.13	27.98
93407-**-18	18	28.64	21.59	25.44
93407-**-16	16	16.10	19.05	22.90
93407-**-14	14	23.56	16.51	20.36
93407-**-12	12	21.02	13.97	17.82
93407-**-10	10	18.48	11.43	15.28
93407-**-08	08	15.94	08.89	12.74
93407-**-06	06	13.40	06.35	10.20
93407-**-04	04	10.86	03.81	07.66
PART No.	CKT SIZE	DIM. E	DIM. F	DIM. G

REFERENCE DIMENSIONS ONLY

REV	DESCRIPTION	QUALITY SYMBOLS	GENERAL TOLERANCES (UNLESS SPECIFIED)		DIMENSION STYLE		SCALE	DESIGN UNITS	THIRD ANGLE PROJECTION
			mm	INCH	MM ONLY	DATE			
0		▽=0	4 PLACES	±---	±---	DRAWN BY	2012/05/29	TITLE	REVERSE FOOTPRINT LATCHED PICO FLEX SMT HEADER molex DOCUMENT NO. SD-93407-001 SHEET NO. 2 OF 2
1		▽=0	3 PLACES	±---	±---	CHECKED BY	DATE		
			2 PLACES	±0.25	±---	DSHEA	2012/06/22		
			1 PLACE	±0.35	±---	APPROVED BY	DATE		
			0 PLACE	±---	±---	EFOLAN	2012/06/27		
			ANGULAR ± 2°			MATERIAL NO.			
			DRAFT WHERE APPLICABLE MUST REMAIN WITHIN DIMENSIONS			SEE SHEET 1			