

## Excellent Integrated System Limited

Stocking Distributor

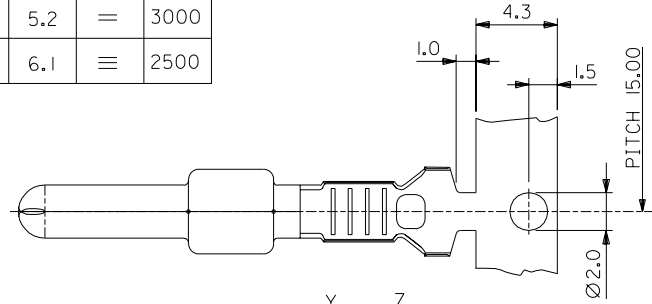
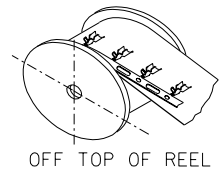
Click to view price, real time Inventory, Delivery & Lifecycle Information:

[Molex Connector Corporation](#)  
[0980140100](#)

For any questions, you can email us directly:

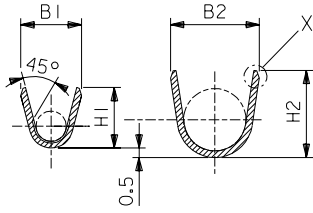
[sales@integrated-circuit.com](mailto:sales@integrated-circuit.com)

PART NO.	WIRE SQ mm <sup>2</sup>	INS. Ø mm	B1	H1	B2	H2	M	PARTS PER REEL
			±0.2					
98014-0100	0.5-1.0	1.4-3.3	3.2	3.2	4.7	4.6	—	3000
98014-0200	1.5-2.5	2.1-4.2	4.1	3.8	5.7	5.2	=	3000
98014-0300	2.5-4.0	2.6-4.9	4.4	4.5	6.7	6.1	≡	2500

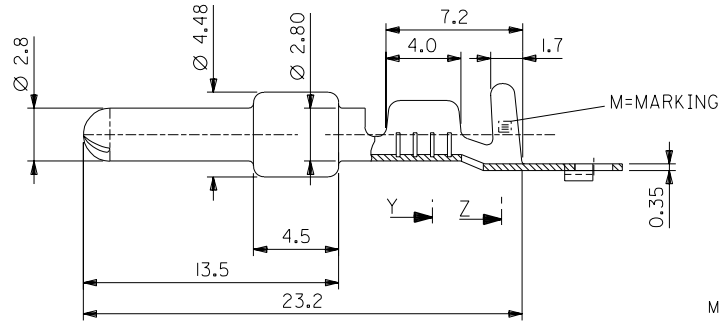
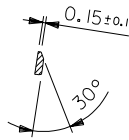


SECTION Y-Y  
SCHNITT Y-Y

SECTION Z-Z  
SCHNITT Z-Z



DETAIL X  
EINZELHEIT X



MATERIAL: PRE TIN BRASS  
MESSING VERZINNT

FOR PREVIOUS  
DRAWING ISSUES  
SEE "EDIS"

ECN: MWG 1281 17.02.94 H. DIETZ	REVISIONS	THIRD ANGLE PROJECTION		REVISE ONLY ON CAD SYSTEM		SH. REV.
		UNLESS OTHERWISE SPECIFIED TOLERANCES: ANGULAR: °		DRWG BY LA	CAD/CAM FILE NAME SD98014 DGN	THIS DRAWING CONTAINS INFORMATION THAT IS PROPRIETARY TO MOLEX INC. & SHOULD NOT BE USED WITHOUT WRITTEN PERMISSION
INCH (METRIC)		INCH (METRIC)		TITLE MALE TERMINAL 2.8mm		
3 PLACE ±		3 PLACE ±		APP'D BY APO		
2 PLACE ±		± 0.15		SCALE 5:1		
1 PLACE ±		± 0.30		SHEET NO. DATE 1 / 1 14 / 04 / 92		
DRAFT WHERE APPLICABLE MUST REMAIN WITHIN DIMENSIONS		DESIGN DIMENSION (MM) □ IN. □ IN.		PART NO. MOLEX EUROPE SEE TABLE		
EQUIVALENT DIMENSION (MM) □ IN. □ IN.		EQUIVALENT DIMENSION (MM) □ IN. □ IN.		DWG NO. SD-98014 SIZE B		