

Excellent Integrated System Limited

Stocking Distributor

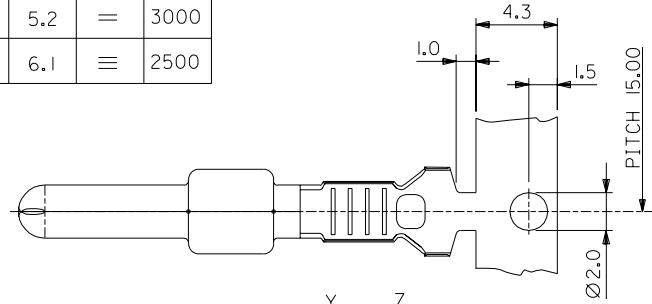
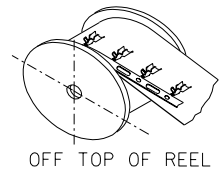
Click to view price, real time Inventory, Delivery & Lifecycle Information:

[Molex Connector Corporation](#)
[0980140200](#)

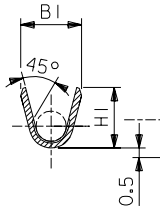
For any questions, you can email us directly:

sales@integrated-circuit.com

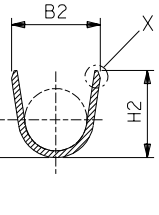
PART NO.	WIRE SQ mm ²	INS. Ø mm	B1	H1	B2	H2	M	PARTS PER REEL
			±0.2					
98014-0100	0.5-1.0	1.4-3.3	3.2	3.2	4.7	4.6	—	3000
98014-0200	1.5-2.5	2.1-4.2	4.1	3.8	5.7	5.2	=	3000
98014-0300	2.5-4.0	2.6-4.9	4.4	4.5	6.7	6.1	≡	2500



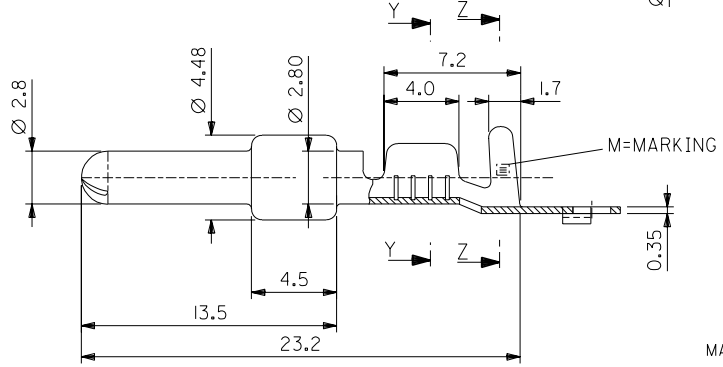
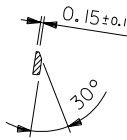
SECTION Y-Y
SCHNITT Y-Y



SECTION Z-Z
SCHNITT Z-Z



DETAIL X
EINZELHEIT X



MATERIAL: PRE TIN BRASS
MESSING VERZINNT

FOR PREVIOUS
DRAWING ISSUES
SEE "EDIS"

REV.	DATE	BY	REVISIONS
D	17.02.94	H. DIETZ	ECN MWG 1281

THIRD ANGLE PROJECTION		REVISE ONLY ON CAD SYSTEM		SH. REV.
DIMENSIONS SHOWN (METRIC) INCH UNLESS OTHERWISE SPECIFIED TOLERANCES: ANGULAR ±		DRWG BY LA	CAD/CAM FILE NAME SD98014	THIS DRAWING CONTAINS INFORMATION THAT IS PROPRIETARY TO MOLEX INC. & SHOULD NOT BE USED WITHOUT WRITTEN PERMISSION
INCH (METRIC)		CHK'D BY SCH	TITLE MALE TERMINAL 2.8mm	
3 PLACE ±	±	APP'D BY APO	SHEET NO. DATE 1 / 1 14 / 04 / 92	
2 PLACE ±	± 0.15	SCALE 5:1	SIZE B	
1 PLACE ±	± 0.30	PART NO. SEE TABLE		
DRAFT WHERE APPLICABLE MUST REMAIN WITHIN DIMENSIONS		DWG NO. SD-98014		
DESIGN DIMENSION (MM) □ IN.				
EQUIVALENT DIMENSION (MM) □ IN.				