

Excellent Integrated System Limited

Stocking Distributor

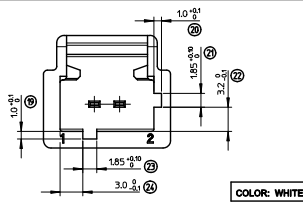
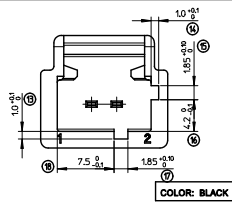
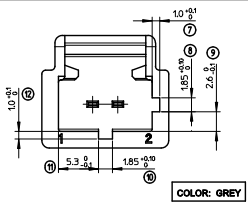
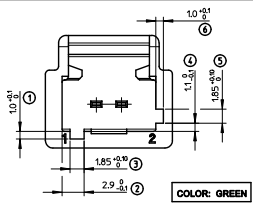
Click to view price, real time Inventory, Delivery & Lifecycle Information:

[Molex Connector Corporation](#)
[0988171028](#)

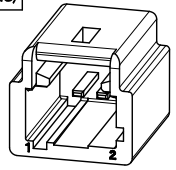
For any questions, you can email us directly:

sales@integrated-circuit.com

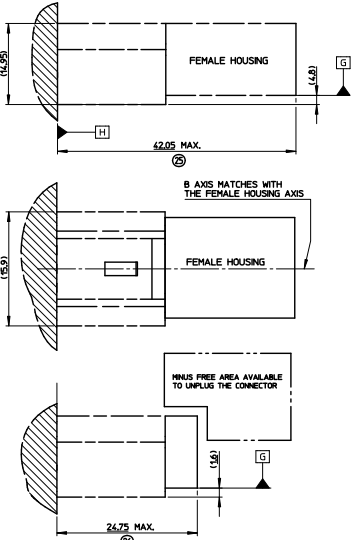
CODINGS



**ISO VIEW
(GREEN CODING)**



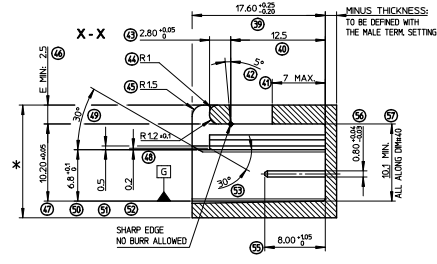
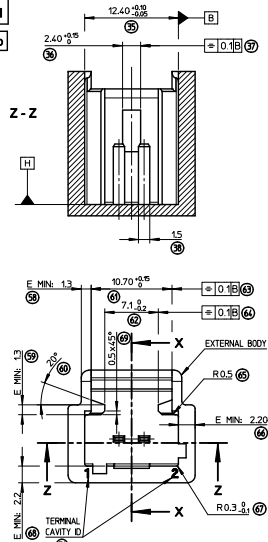
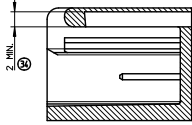
OVERALL DIMENSIONS



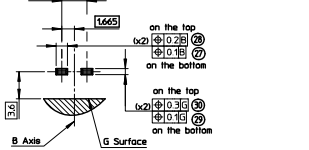
HEADER'S DEFINITION

GREEN CODING REPRESENTED

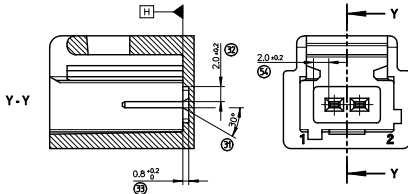
X - X
VARIABLE



MALE TERMINALS SETTING



MALE TERMINALS VARIABLE SETTING



REV.	FIRST	LAST	DELETED	SUPERSEDED
A	(1)	(7)		

INSPECTION NUMBERS

DESCRIPTION	DATE
PRINT 1ST RELEASE	
EC NO. 0202-0079	2012/04/18
DRWING DESIGNED BY	2012/04/18
CHKD BY	2012/04/18
APPROVED BY	2012/04/18

GENERAL TOLERANCES (UNLESS SPECIFIED)

PLACES	TOLERANCE	UNIT
4 PLACES	± 0.1	mm
3 PLACES	± 0.1	mm
2 PLACES	± 0.1	mm
1 PLACE	± 0.1	mm
0 PLACE	±	mm

ANGULAR ± 2°

DRAFT WHERE APPLICABLE MUST REMAIN WITHIN DIMENSIONS

DIMENSION STYLE: MM ONLY

SCALE: 4:1

DESIGN UNITS: METRIC

FIRST ANGLE PROJECTION

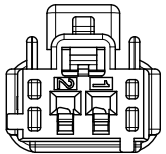
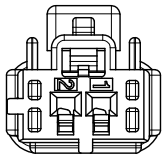
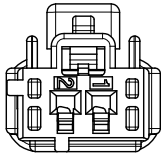
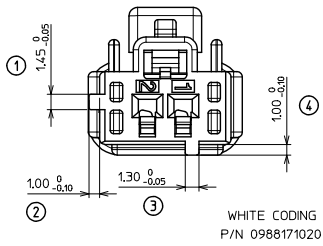
TITLE: 2W INTERFACE 15 TERM. (FOR FEMALE HOUSING)

molex

DOCUMENT NO.: SD-98815-002

SHEET NO.: 1 OF 1

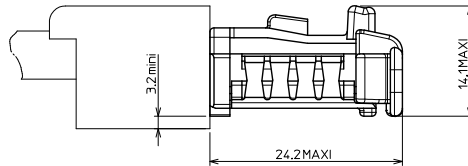
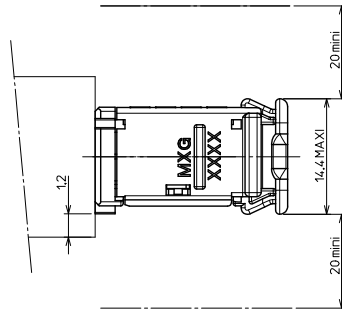
NOTE: THIS DRAWING CONTAINS INFORMATION THAT IS PROPRIETARY TO MOLEX INCORPORATED AND SHOULD NOT BE USED WITHOUT WRITTEN PERMISSION



CODING 4:1

HANDLING AREA

AREA REQUIRED TO MATE
AND UNMATE THE CONNECTOR



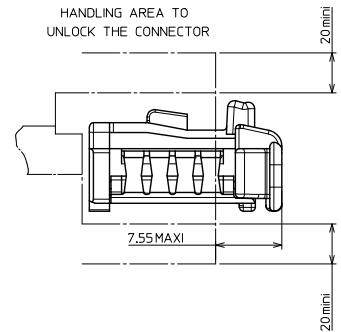
NOTE : 1 - The using conditions of the hinge are showed in the MOLEX specification n°AS-98821-001.

- 2 - Female terminal used : SCC RCPT TERM 1,5mm
 - Range 1 : 0988971109 (0,22 mm² to 2x0,22 mm²)
 - Range 2 : 0988971119 (0,5 mm² to 1 mm² included)
 - Range 3 : 0988971129 (2x0,5 mm² to 2 mm² included)

3 - Female connector will mate with male connector P/N 098822102x.

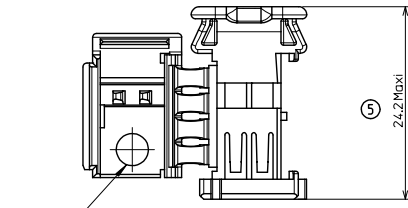
AREA REQUIRED WHEN THE CONNECTOR IS MATED

HANDLING AREA TO
UNLOCK THE CONNECTOR

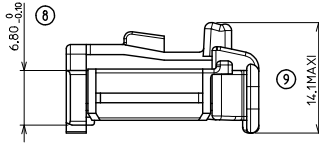
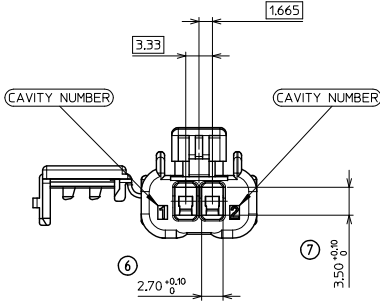


FIRST RELEASE EC NO: GZ007-0366 DRAWN: PPOUCHAUD 2008/03/10 CHKDY: YIGEL 2008/03/10 APPR: LSTICKEIR 2008/03/10	DESCRIPTION NSCC RCPT HSG 1.5 GRY 2CKT	GENERAL TOLERANCES (UNLESS SPECIFIED)		DIMENSION STYLE MM ONLY	SCALE 3:1	DESIGN UNITS METRIC	THIRD ANGLE PROJECTION	
		1 PLACES ± 0.1	± 0.1	DRAWN BY LPOUCHAUD	DATE 2008/01/17	TITLE NSCC RCPT HSG 1.5 2CKT		
REV A	MATERIAL NO. SEE CHART	2 PLACES ± 0.05	± 0.05	CHECKED BY YIGEL	DATE 2008/01/17	MOLEX INCORPORATED		
		3 PLACES ± 0.05	± 0.05	APPROVED BY LSTICKEIR	DATE 2008/01/25	DOCUMENT NO. SD-98817-001		
DRAFT WHERE APPLICABLE MUST REMAIN WITHIN DIMENSIONS		1 PLACE ± 0.1	± 0.1	ANGULAR ± 1 °		SHEET NO. 1 OF 2		
SIZE A		THIS DRAWING CONTAINS INFORMATION THAT IS PROPRIETARY TO MOLEX INCORPORATED AND SHOULD NOT BE USED WITHOUT WRITTEN PERMISSION						

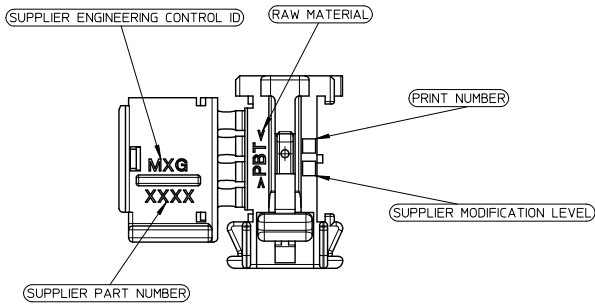
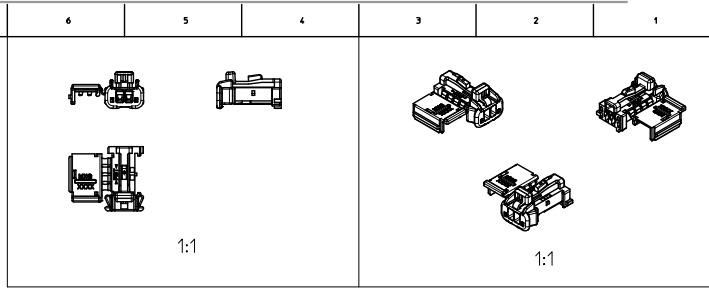
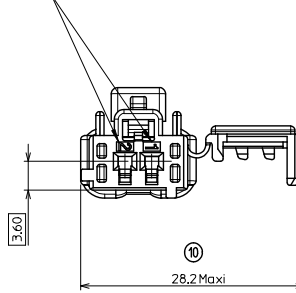
13 12 11 10 9 8 7 6 5 4 3 2 1



DATUM MONTH/YEAR



CAVITY NUMBER



GREEN CODING (P/N 0988171025) IS SHOWN.

NSCC Rcpt Hsg 1.5 2CKT	0988171028	Grey	POLYESTER (PBT)	1.723 g			
	0988171025	Green					
	0988171021	Black					
	0988171020	White					
Description	Part-Number	Color	Raw Material	Weight effective			
FIRST RELEASE IEC NO: GZ007-0386 DRAWN: LPOUCHAUD 2008/03/10 CHECKED: CHIKDY/DEL 2008/03/10 APPROVED: LSTICKEIR 2008/03/10 REV: A	DESCRIPTION QUALITY SYSTEM	GENERAL TOLERANCES (UNLESS SPECIFIED)		DIMENSION STYLE	SCALE	DESIGN UNITS	THIRD ANGLE PROJECTION
		4 PLACES ±--- ±--- 3 PLACES ±--- ±--- 2 PLACES ±0.05 ±--- 1 PLACE ±0.1 ±--- ANGULAR ± 1 °	MM ONLY	3:1	METRIC		
DRAWN BY: LPOUCHAUD 2008/01/17 CHECKED BY: YIGEL 2008/01/17 APPROVED BY: LSTICKEIR 2008/01/25		TITLE: NSCC RCPT HSG 1.5 2CKT		MATERIAL NO. SEE CHART DOCUMENT NO. SD-98817-001		SHEET NO. 2 OF 2	
DRAFT WHERE APPLICABLE MUST REMAIN WITHIN DIMENSIONS THIS DRAWING CONTAINS INFORMATION THAT IS PROPRIETARY TO MOLEX INCORPORATED AND SHOULD NOT BE USED WITHOUT WRITTEN PERMISSION							

12 11 10 9 8 7 6 5 4 3 2 1