

Excellent Integrated System Limited

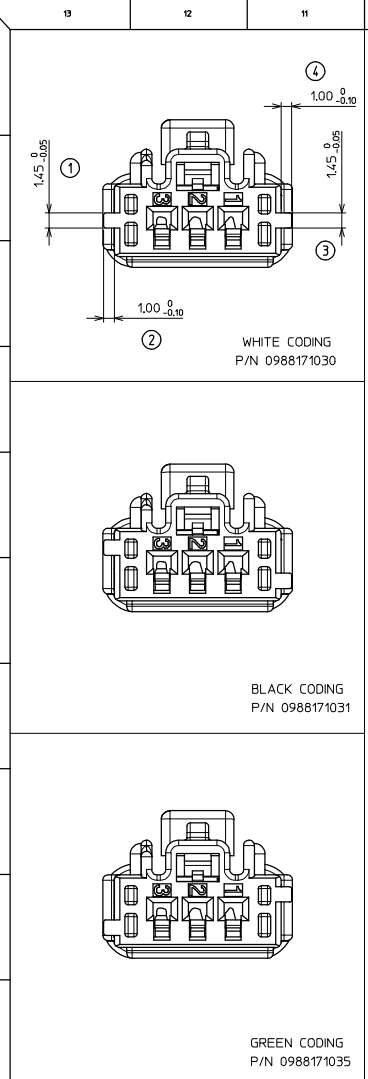
Stocking Distributor

Click to view price, real time Inventory, Delivery & Lifecycle Information:

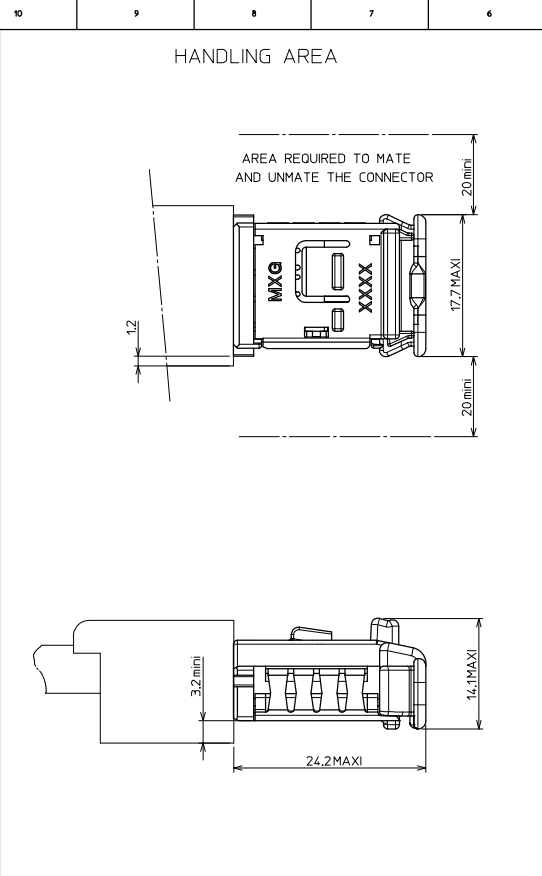
[Molex Connector Corporation](#)
[0988171035](#)

For any questions, you can email us directly:

sales@integrated-circuit.com



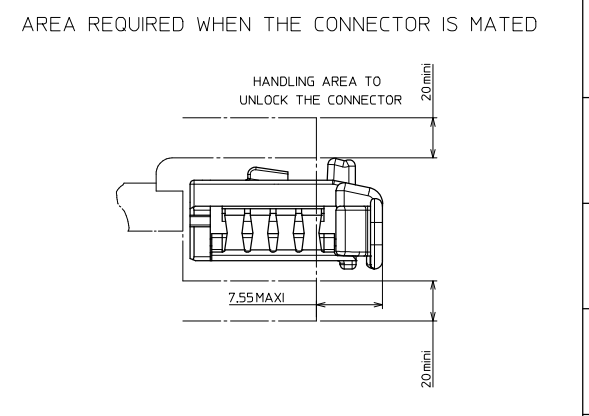
CODING 4:1



NOTE : 1 - The using conditions of the hinge are showed in the MOLEX specification n°AS-98821-001.

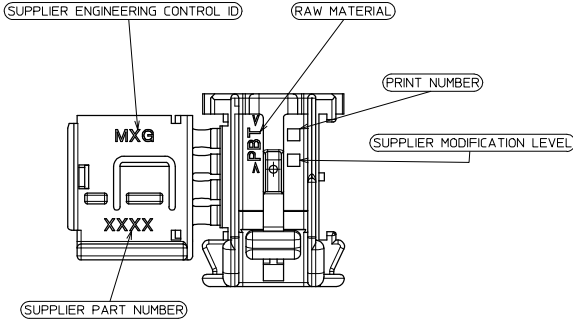
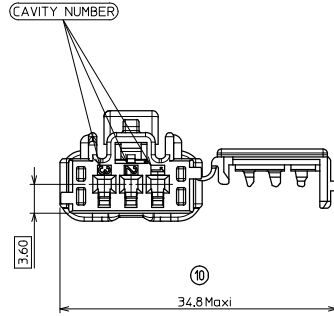
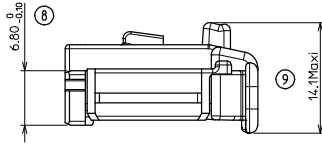
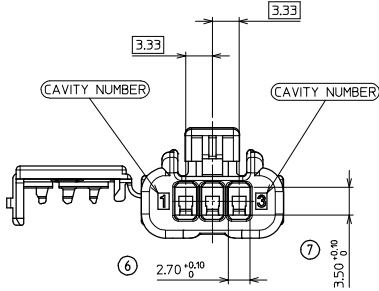
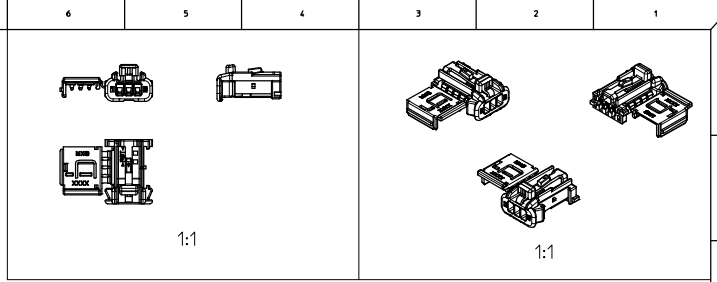
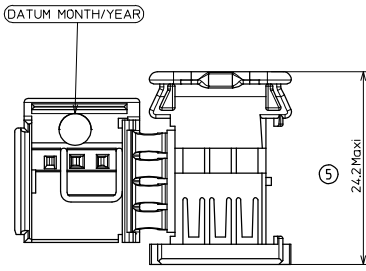
2 - Female terminal used : SCC RCPT TERM 1.5mm
 - Range 1 : 0988971109 (0.22 mm² to 2x0.22 mm²)
 - Range 2 : 0988971119 (0.5 mm² to 1 mm² included)
 - Range 3 : 0988971129 (2x0.5 mm² to 2 mm² included)

3 - Female connector will mate with male connector P/N 098822103x.



FIRST RELEASE EC NO: GZ007-0386 DRAWN: LPOUCHAUD CHECKED BY: CHIKDY/DEL APPROVED BY: APRR/STICKEIR	DESCRIPTION NSCC RCPT HSG 1.5 GRN 3CKT	GENERAL TOLERANCES (UNLESS SPECIFIED)		DIMENSION STYLE MM ONLY	SCALE 3:1	DESIGN UNITS METRIC	THIRD ANGLE PROJECTION
		1 PLACES ± 0.1	± 0.1	DATE 2008/02/21	TITLE NSCC RCPT HSG 1.5 3CKT		
2 PLACES ± 0.05	± 0.05	CHECKED BY YIGEL	DATE 2008/02/22	APPROVED BY LSTICKEIR			
3 PLACES ± 0.05	± 0.05	APPROVED BY LSTICKEIR	DATE 2008/02/27	MATERIAL NO. SEE CHART			
1 PLACE ± 0.1	± 0.1	ANGULAR ± 1°		DOCUMENT NO. SD-98817-002		SHEET NO. 1 OF 2	
DRAFT WHERE APPLICABLE MUST REMAIN WITHIN DIMENSIONS		MATERIAL NO. SEE CHART					
DRAFT WHERE APPLICABLE MUST REMAIN WITHIN DIMENSIONS		SIZE A THIS DRAWING CONTAINS INFORMATION THAT IS PROPRIETARY TO MOLEX INCORPORATED AND SHOULD NOT BE USED WITHOUT WRITTEN PERMISSION					

13 12 11 10 9 8 7 6 5 4 3 2 1



GREEN CODING (P/N 0988171035) IS SHOWN.

NSCC Rcpt Hsg 1.5 3CKT	0988171035	Green	POLYESTER (PBT)	2.149 g
	0988171031	Black		
	0988171030	White		
Description	Part-Number	Color	Raw Material	Weight effective
GENERAL TOLERANCES (UNLESS SPECIFIED) DIMENSION STYLE: MM ONLY SCALE: 1:1 DESIGN UNITS: METRIC THIRD ANGLE PROJECTION	4 PLACES ±--- ±--- 3 PLACES ±--- ±--- 2 PLACES ±0.05 ±--- 1 PLACE ±0.1 ±--- ANGULAR ± 1°	DRAWN BY: LPOUCHAUD CHECKED BY: YIGEL APPROVED BY: LSTICKEIR DATE: 2008/02/21 DATE: 2008/02/22 DATE: 2008/02/27	TITLE: NSCC RCPT HSG 1.5 3CKT MOLEX INCORPORATED DOCUMENT NO. SD-98817-002 SHEET NO. 2 OF 2	
	DRAFT WHERE APPLICABLE MUST REMAIN WITHIN DIMENSIONS SEE CHART THIS DRAWING CONTAINS INFORMATION THAT IS PROPRIETARY TO MOLEX INCORPORATED AND SHOULD NOT BE USED WITHOUT WRITTEN PERMISSION			

12 11 10 9 8 7 6 5 4 3 2 1