

## Excellent Integrated System Limited

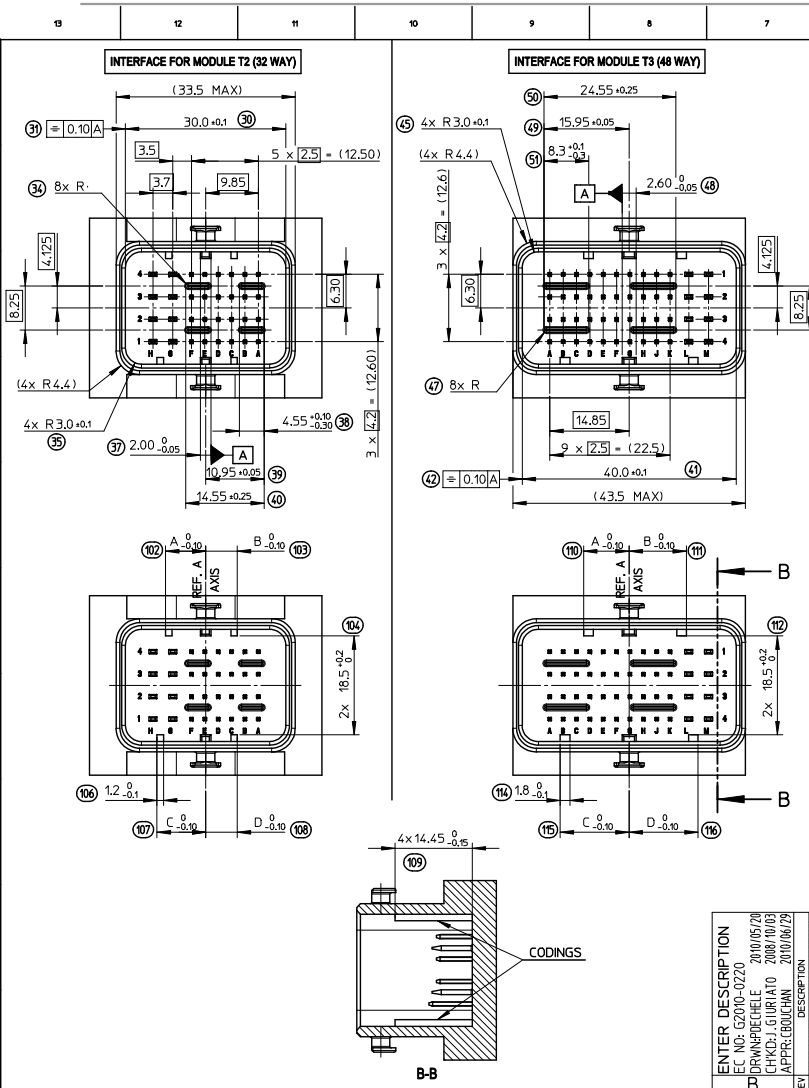
Stocking Distributor

Click to view price, real time Inventory, Delivery & Lifecycle Information:

[Molex Connector Corporation](#)  
[0989503001](#)

For any questions, you can email us directly:

[sales@integrated-circuit.com](mailto:sales@integrated-circuit.com)



**HEADERS CODINGS**

(CODING 2 SHOWN)

HEADER'S CODINGS FOR MODULE T2 (32W)					
COLOR	CODING	DIM. A	DIM. B	DIM. C	DIM. D
BLACK	1	9.1	4.3	5.9	4.3
GREY	2	7.5	5.9	9.1	5.9
BROWN	3	5.9	7.5	9.1	9.1
GREEN	4	7.5	9.1	4.3	4.3
BLUE	5	4.3	7.5	5.9	5.9
YELLOW	6	9.1	7.5	4.3	7.5

(CODING 3 SHOWN)

HEADER'S CODINGS FOR MODULE T3 (48W)					
COLOR	CODING	DIM. A	DIM. B	DIM. C	DIM. D
BLACK	1	12.9	6.3	8.5	6.3
GREY	2	10.7	8.5	12.9	8.5
BROWN	3	8.5	10.7	12.9	12.9
GREEN	4	10.7	12.9	6.3	6.3
BLUE	5	6.3	10.7	8.5	8.5
YELLOW	6	12.9	10.7	6.3	10.7

**NOTE:**

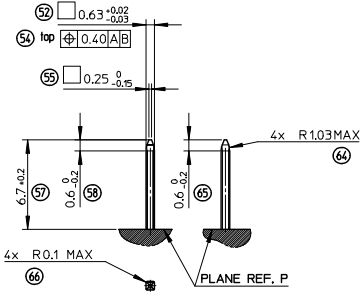
1- INTERFACE DEFINITION BASED ON NFR13-462 STANDARD.

2- HEADER: ELASTICITY MODULUS: 8000Mpa min. (INITIAL CONDITION BEFORE AGEING)

<b>ENTER DESCRIPTION</b> EC NO: GZ010-0220 DRAWN: P. CHELE 2010/05/20 CHECKED: J. GIURIATO 2008/10/03 APPROVED: E. BULGHAN 2010/04/29	<b>DESCRIPTION</b> [REDACTED]	GENERAL TOLERANCES (UNLESS SPECIFIED)	DIMENSION STYLE MM ONLY	SCALE 2:1	DESIGN UNITS METRIC	FIRST ANGLE PROJECTION	
		4 PLACES ±--- ±--- 5 PLACES ±--- ±--- 2 PLACES ±0.10 ±--- 1 PLACE ±0.10 ±---	DRAWN BY G. DESBRIERES 2008/10/02	DATE 2010/05/20	TITLE INTERFACES FOR CONNECTOR 32 & 48 CKT CMC	MOLEX INCORPORATED	SHEET NO. 1 OF 3
		ANGULAR ± 2 °	CHECKED BY J. GIURIATO 2008/10/03	DATE 2008/10/03	APPROVED BY O. PLESSIS 2008/10/06	DOCUMENT NO. SD-98644-006	INCORPORATED AND SHOULD NOT BE USED WITHOUT WRITTEN PERMISSION
		DRAFT WHERE APPLICABLE MUST REMAIN WITHIN DIMENSIONS	MATERIAL NO. N/A	DATE 2010/05/20	APPROVED BY O. PLESSIS 2008/10/06	DOCUMENT NO. SD-98644-006	SHEET NO. 1 OF 3

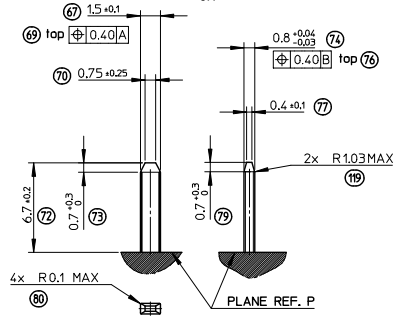
**PINS 0.635 DEFINITION**

5:1



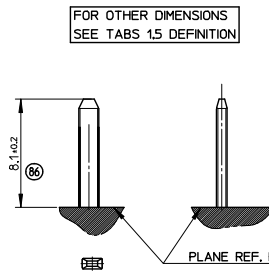
**TABS 1.5 DEFINITION**

5:1



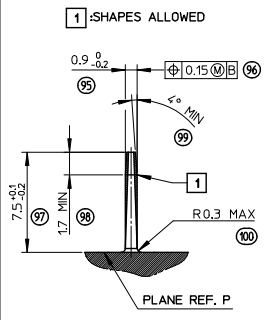
**GROUND TABS 1.5 DEFINITION**

5:1



**PROTECTION WALL DEFINITION**

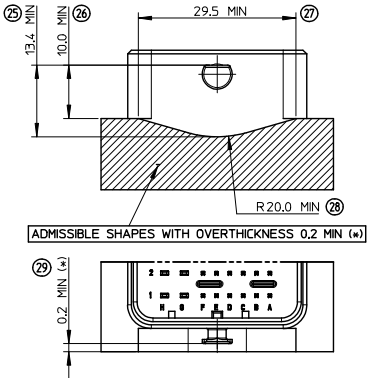
5:1



**LOCKING AXIS PROTECTION**

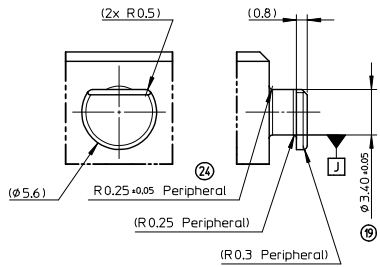
2:1

MANDATORY OVERTHICKNESS: dimension noted (\*) IF THE LOCKING AXIS ARE OUT OF EQUIPMENT OVERALL DIMENSIONS.



**LOCKING AXIS DEFINITION**

5:1



ENTER DESCRIPTION	2010/05/20
EC NO: G2010-0220	
DRW: MPECHELE	2008/10/03
CHKD: J. GIURIATO	
APPR: COULCHAN	2010/06/29
REV	DESCRIPTION

GENERAL TOLERANCES (UNLESS SPECIFIED)	
mm	INCH
4 PLACES ±---	±---
3 PLACES ±---	±---
2 PLACES ±0.10	±---
1 PLACE ±0.10	±---
ANGULAR ± 2 °	

DIMENSION STYLE	
MM ONLY	
DRAWN BY	DATE
G. DESBRUERES	2008/10/02
CHECKED BY	DATE
J. GIURIATO	2008/10/03
APPROVED BY	DATE
O. PLESSIS	2008/10/06
MATERIAL NO.	
N/A	

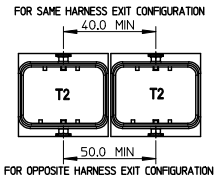
SCALE	DESIGN UNITS	FIRST ANGLE PROJECTION
1:1	METRIC	
TITLE		
INTERFACES FOR CONNECTOR 32 & 48 CKT CMC		
GENERIC SALES DRAWING		
MOLEX INCORPORATED		
DOCUMENT NO.	SHEET NO.	
SD-98644-006	2 OF 3	

DRAFT WHERE APPLICABLE MUST REMAIN WITHIN DIMENSIONS

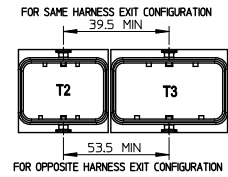
THIS DRAWING CONTAINS INFORMATION THAT IS PROPRIETARY TO MOLEX INCORPORATED AND SHOULD NOT BE USED WITHOUT WRITTEN PERMISSION

**CONNECTOR ON HEADER - OVERALL DIMENSIONS**

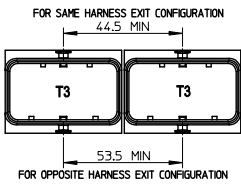
**LAYOUT FOR TWO INTERFACES T2 (32W)**



**LAYOUT FOR TWO INTERFACES T2 (32W) AND T3 (48W)**

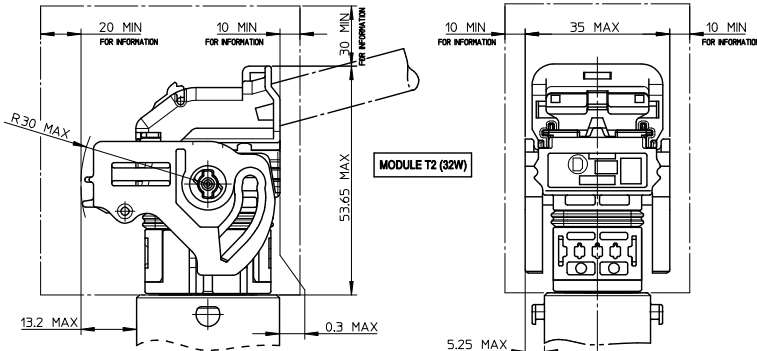


**LAYOUT FOR TWO INTERFACES T3 (48W)**

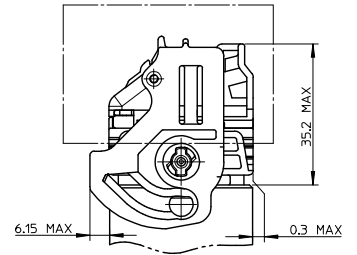


MULTI-HEADERS LAYOUT

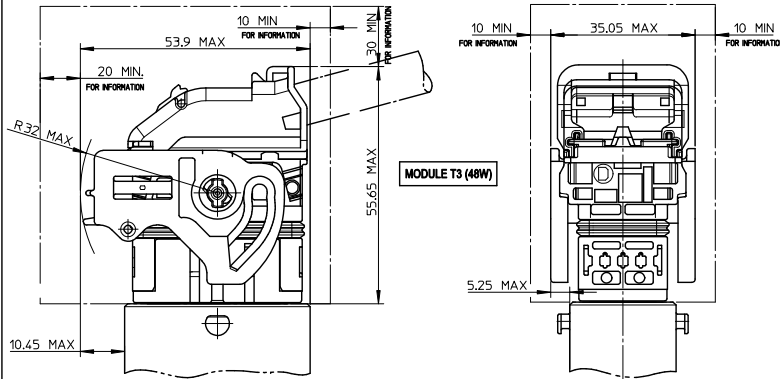
**UNLOCKED CONNECTOR - OVERALL DIMENSIONS**



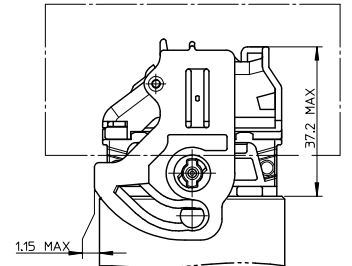
**LOCKED CONNECTOR - OVERALL DIMENSIONS**



**UNLOCKED CONNECTOR - OVERALL DIMENSIONS**



**LOCKED CONNECTOR - OVERALL DIMENSIONS**



NOTE:  
1- T2 = 32 WAY / T3 = 48 WAY

**LEGEND:**

FREE VOLUME FOR MANUAL LOCKING AND UNLOCKING DIMENSIONS GIVEN FOR INFORMATION ONLY TO BE CONFIRMED BASED UPON VEHICLE CONFIGURATION.

ENTER DESCRIPTION	2010/05/20
EC NO: G2010-0220	2008/10/03
DR: WAPDECHELE	CHK: J. GIURIATO
APP: P. BOULCHAN	2010/06/29

**GENERAL TOLERANCES (UNLESS SPECIFIED)**

	mm	INCH
4 PLACES	± 0.10	± 0.004
3 PLACES	± 0.15	± 0.006
2 PLACES	± 0.20	± 0.008
1 PLACE	± 0.30	± 0.012

ANGULAR ± 2 °  
DRAFT WHERE APPLICABLE MUST REMAIN WITHIN DIMENSIONS

**DIMENSION STYLE**

MM ONLY	DATE
DATE	TITLE
DATE	DATE
DATE	DATE
DATE	DATE

MATERIAL NO. N/A  
SIZE A2

**SCALE 1:1 DESIGN UNITS METRIC FIRST ANGLE PROJECTION**

TITLE: INTERFACES FOR CONNECTOR 32 & 48 CKT CMC  
GENERIC SALES DRAWING

MOLEX INCORPORATED  
DOCUMENT NO. SD-98644-006  
SHEET NO. 3 OF 3