

Excellent Integrated System Limited

Stocking Distributor

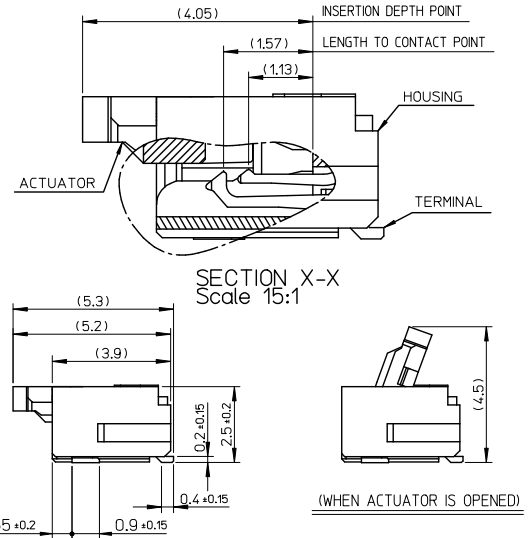
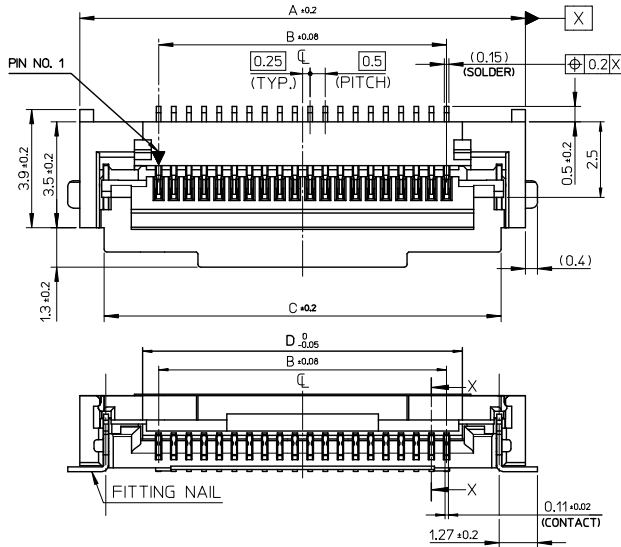
Click to view price, real time Inventory, Delivery & Lifecycle Information:

[Molex Connector Corporation](#)
[1040602017](#)

For any questions, you can email us directly:

sales@integrated-circuit.com

10 9 8 7 6 5 4 3 2 1



NOTES

1. MATERIAL
HOUSING LIQUID CRYSTAL POLYMER
GLASS FILLED,UL94V-0(BEIGE)
- ACTUATOR PPS GLASS FILLED, UL94V-0(BLACK)
(t=0.15)
- TERMINAL PHOSPHOR BRONZE
(t=0.15)
- FITTING NAIL PHOSPHOR BRONZE
4. FITTING NAIL FOR PREVENTION OF
PEELING OF P.C.B. PATTERN.
5. R0.3 MUST NOT BE OVERLAPPED
TO PATTERN OF FPC/FFC.
6. N: CIRCUIT.
7. ELV AND RoHS COMPLIANT
8. TAILS AND NAILS COPLANALITY
TO BE 0.1mm MAX.

2. PLATING

TERMINAL
CONTACT AREA : SEPARATED GOLD PLATING
(0.05 MICROMETER MINIMUM)
SOLDER TAIL AREA : SEPARATED GOLD PLATING
UNDERPLATE : NICKEL OVERALL
(1.0 MICROMETER MINIMUM)

FITTING NAIL
TIN PLATING (1.0 MICROMETER MIN.)
UNDER PLATING : NICKEL PLATING
(1.0 MICROMETER MIN.)

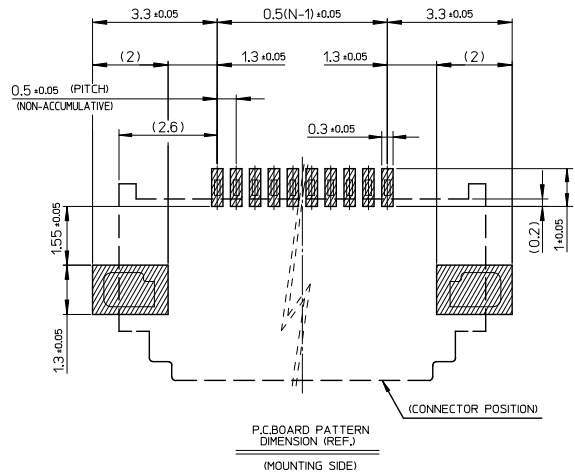
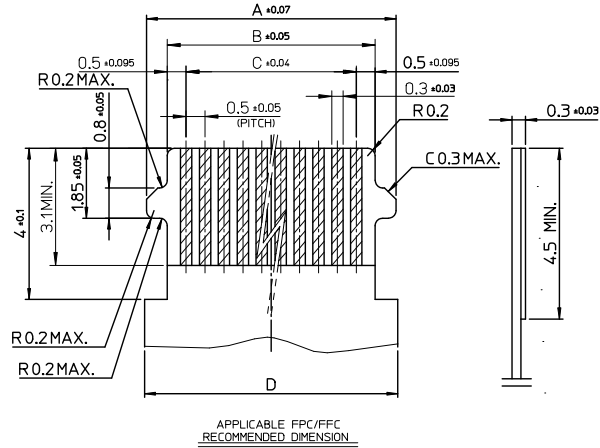
3. IN THE PACKAGE, ACTUATOR OF
PART 104060-**10 SHOULD BE CLOSED.

10.5	13.1	9.5	14.7	104060-2017	20
D	C	B	A	ORDER No.	CIRCUIT

REVISED EC NO: KOR2013-0042 DRAWN: HLEONG CHKD: YSKIM02 APPR: YSKIM02 2013/05/30 2013/05/30	QUALITY SYMBOLS	GENERAL TOLERANCES (UNLESS SPECIFIED)	DIMENSION STYLE	SCALE	DESIGN UNITS	THIRD ANGLE PROJECTION
	▽=0	4 PLACES ± --- ± ---	MM ONLY	8:1	METRIC	THIRD ANGLE PROJECTION
	▽=0	3 PLACES ± --- ± ---	DRAWN BY	DATE	TITLE	
		2 PLACES ± --- ± ---	YR.KIM	2009/06/26	0.5 FFC E/O DUAL CONTACT HOUSING ASS'Y	
	1 PLACE ± 0.3 ± ---	ANGULAR ± 1 °	CHECKED BY	DATE	MOLEX INCORPORATED	
			KS.KIM	2009/06/26	MATERIAL NO. DOCUMENT NO.	
			APPROVED BY	DATE	SD-104060-002	
			YS00.KIM	2009/06/26	SHEET NO.	
			MATERIAL NO.	DATE	1 OF 3	
			SEE TABLE		THIS DRAWING CONTAINS INFORMATION THAT IS PROPRIETARY TO MOLEX INCORPORATED AND SHOULD NOT BE USED WITHOUT WRITTEN PERMISSION	

9 8 7 6 5 4 3 2 1

10 9 8 7 6 5 4 3 2 1

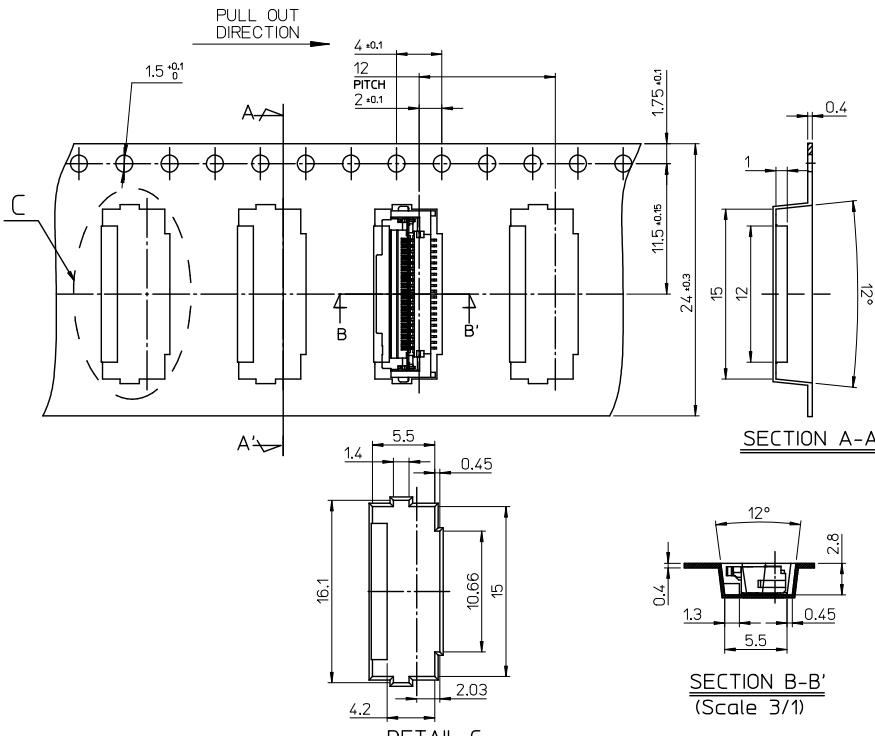


12.3	9.5	10.5	12.2	20
D	C	B	A	CIRCUIT

REVISED EC NO: KOR2013-0042 2013/05/30 DRAWN: JHEONG CHKD: YSI APPR: YSI/IMZ 2013/05/30	DESCRIPTION	QUALITY SYMBOLS	GENERAL TOLERANCES (UNLESS SPECIFIED)	DIMENSION STYLE		SCALE 10:1	DESIGN UNITS METRIC	THIRD ANGLE PROJECTION	TITLE 0.5 FFC E/O DUAL CONTACT HOUSING ASS'Y
		▽=0 ▽=0		mm	INCH				
B	REV		4 PLACES ± --- ± ---	MATERIAL NO.		MOLEX INCORPORATED	DOCUMENT NO. SD-104060-002	SHEET NO. 2 OF 3	THIS DRAWING CONTAINS INFORMATION THAT IS PROPRIETARY TO MOLEX INCORPORATED AND SHOULD NOT BE USED WITHOUT WRITTEN PERMISSION
			3 PLACES ± --- ± ---	SEE TABLE					
			2 PLACES ± --- ± ---	SIZE A3					
			1 PLACE ± 0.3 ± ---	DRAFT WHERE APPLICABLE MUST REMAIN WITHIN DIMENSIONS					
			ANGULAR ± 1°						

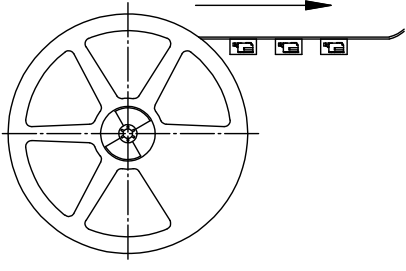
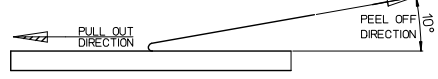
9 8 7 6 5 4 3 2 1

10 9 8 7 6 5 4 3 2 1



NOTES

1. NUMBER OF CONNECTORS : 2,400PCS/REEL
2. LEAD TAPE LENGTH
4.5±0.10
10~20PCS MIN. (NUMBER OF EMPTY PART)
TOP TAPE LEADER PART 400MIN. COMPONENT SUPPLIER TAIL PART(EMPTY) 20~30 PCS
3. FOR DIMENSIONS OF PRODUCT, REFER TO SD-104060-001.
4. MATERIAL
CARRIER TAPE : POLYETHYLENE TEREPHTHALATE
TOP TAPE : POLYETHYLENE TEREPHTHALATE , POLYETHYLENE REEL : POLYSTYRENE<RECYCLE MATERIAL CONTAINED>
5. ELV AND RoHS COMPLIANT
6. PEELING OFF FORCE OF COVER TAPE : 0.1N~0.59N(10.2GF~60GF)
(PEELING DIRECTION AS SHOW IN FOLLOW FIG.)
PEELING OFF SPEED : 300mm/Min.(Ref.)



24	104060-2017	20
CARRIER TAPE WIDTH	ORDER NO.	CIRCUIT

REVISED EC NO: KOR2013-0042 2013/05/30 CHKD: DRW: HJLJONG APPR: SKI MW2 2013/05/30	QUALITY SYMBOLS ▽=0 ▽=0	GENERAL TOLERANCES (UNLESS SPECIFIED)		DIMENSION STYLE MM ONLY		SCALE 10:1	DESIGN UNITS METRIC	THIRD ANGLE PROJECTION	TITLE 0.5 FFC E/O DUAL CONTACT HOUSING ASS'Y
		4 PLACES ± --- ± ---	mm	INCH	DRAWN BY YR.KIM				
B	DESCRIPTION	3 PLACES ± --- ± ---			CHECKED BY KS.KIM	DATE 2009/06/26	MOLEX INCORPORATED		
		2 PLACES ± --- ± ---			APPROVED BY YS00.KIM	DATE 2009/06/26			
		1 PLACE ± 0.3 ± ---			MATERIAL NO.		DOCUMENT NO.		
		ANGULAR ± 1 °			SEE TABLE		SD-104060-002		
		DRAFT WHERE APPLICABLE MUST REMAIN WITHIN DIMENSIONS		SIZE A3		THIS DRAWING CONTAINS INFORMATION THAT IS PROPRIETARY TO MOLEX INCORPORATED AND SHOULD NOT BE USED WITHOUT WRITTEN PERMISSION			

9 8 7 6 5 4 3 2 1