

Excellent Integrated System Limited

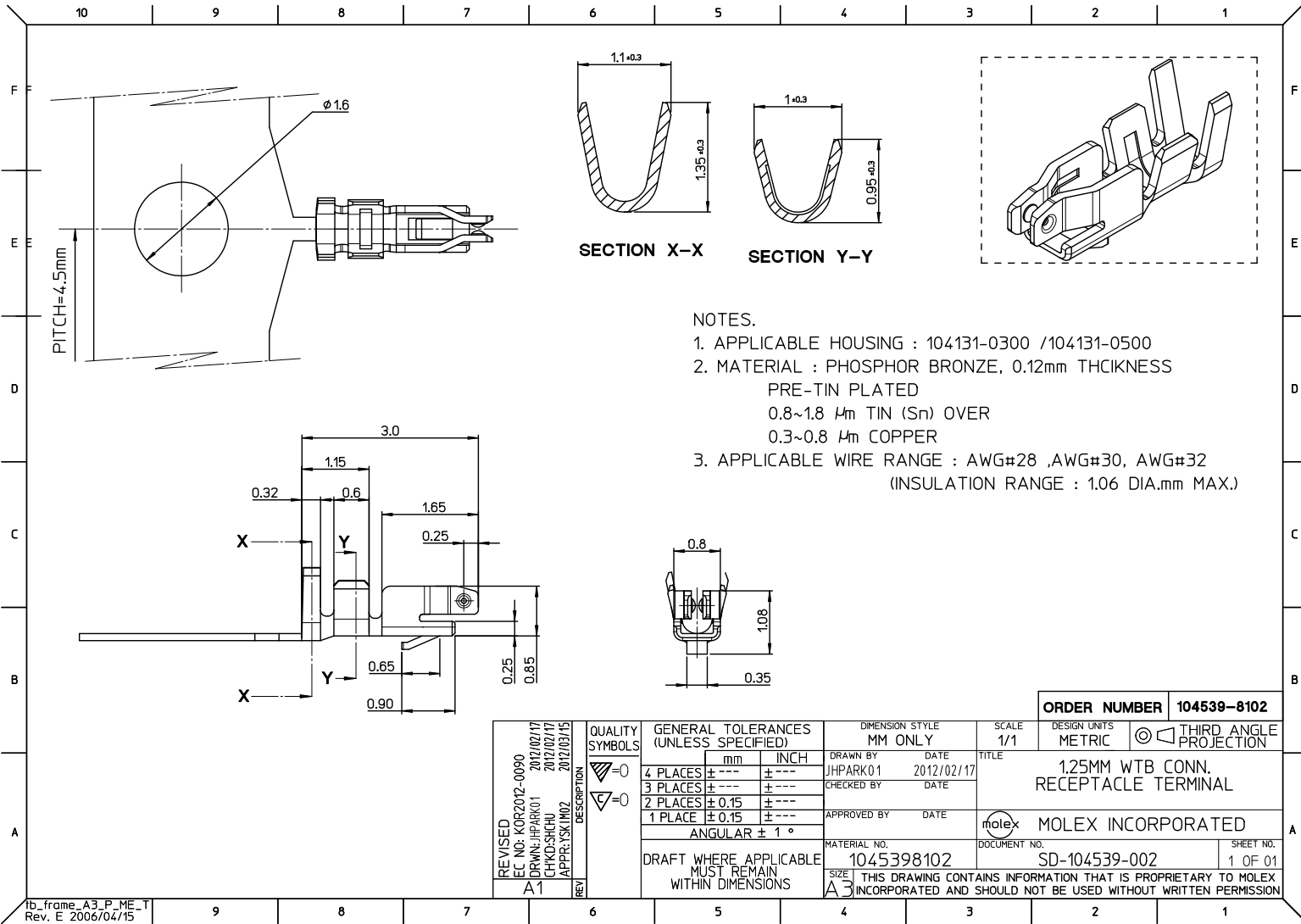
Stocking Distributor

Click to view price, real time Inventory, Delivery & Lifecycle Information:

[Molex Connector Corporation](#)
[1045398102](#)

For any questions, you can email us directly:

sales@integrated-circuit.com



NOTES.

1. APPLICABLE HOUSING : 104131-0300 /104131-0500
2. MATERIAL : PHOSPHOR BRONZE, 0.12mm THICKNESS
PRE-TIN PLATED
0.8~1.8 μm TIN (Sn) OVER
0.3~0.8 μm COPPER
3. APPLICABLE WIRE RANGE : AWG#28 ,AWG#30, AWG#32
(INSULATION RANGE : 1.06 DIA.mm MAX.)

ORDER NUMBER 104539-8102	
DESIGN UNITS METRIC	THIRD ANGLE PROJECTION
1.25MM WTB CONN. RECEPTACLE TERMINAL	
MOLEX INCORPORATED	
MATERIAL NO. 1045398102	DOCUMENT NO. SD-104539-002
SHEET NO. 1 OF 01	THIS DRAWING CONTAINS INFORMATION THAT IS PROPRIETARY TO MOLEX INCORPORATED AND SHOULD NOT BE USED WITHOUT WRITTEN PERMISSION

REVISION	DESCRIPTION
A1	REVISED

GENERAL TOLERANCES (UNLESS SPECIFIED)	
	mm
4 PLACES	± 0.15
3 PLACES	± 0.15
2 PLACES	± 0.15
1 PLACE	± 0.15
ANGULAR ± 1°	

DIMENSION STYLE	
MM ONLY	
DRAWN BY	DATE
JHPARK01	2012/02/17
CHECKED BY	DATE
APPROVED BY	DATE

SCALE	1/1
TITLE	
1.25MM WTB CONN. RECEPTACLE TERMINAL	
MATERIAL NO. 1045398102	
DOCUMENT NO. SD-104539-002	
SHEET NO. 1 OF 01	