

Excellent Integrated System Limited

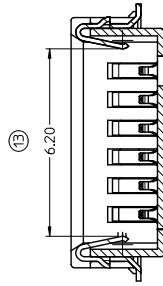
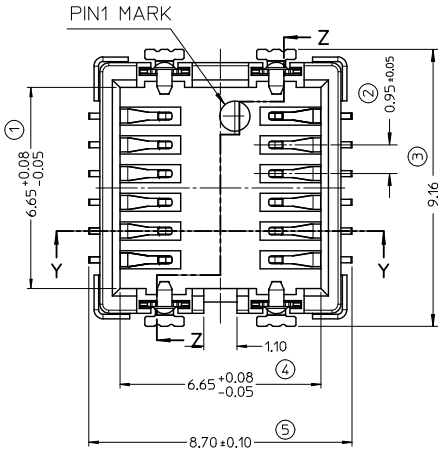
Stocking Distributor

Click to view price, real time Inventory, Delivery & Lifecycle Information:

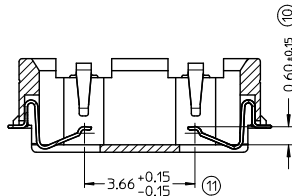
[Molex Connector Corporation](#)
[1051631001](#)

For any questions, you can email us directly:
sales@integrated-circuit.com

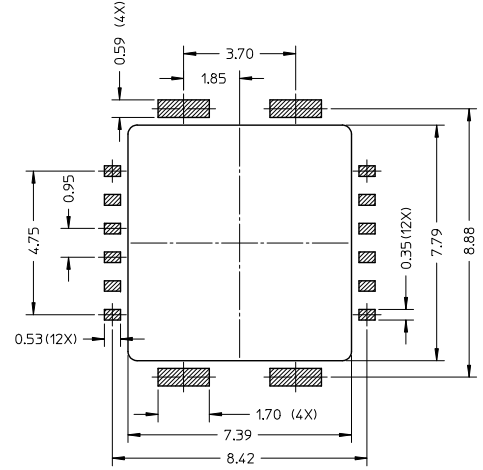
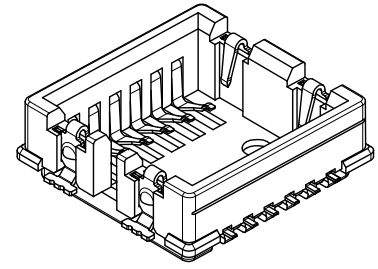
10 9 8 7 6 5 4 3 2 1



SECTION Z-Z



SECTION Y-Y



RECOMMENDED PCB LAYOUT
TOLERANCE: 0.05mm

NOTES:

1. MATERIALS

HOUSING: HIGH-TEMP THERMAL PLASTIC BLACK, UL94 V-0

TERMINAL: COPPER ALLOY

FITTING NAIL: COPPER ALLOY

2. FINISH

TERMINAL: 2-4 MICROMETER NICKEL UNDERPLATING OVERALL,
GOLD PLATING 0.3 MICROMETER ON CONTACT AREA,
GOLD FLASH PLATING ON SOLDER AREA.

FITTING NAIL: 2-4 MICROMETER NICKEL UNDERPLATING OVERALL,
GOLD FLASH ON CONTACT AREA AND SOLDER TAIL

3. COPLANARITY 0.08mm MAX. FOR ALL TAILS. ⑫

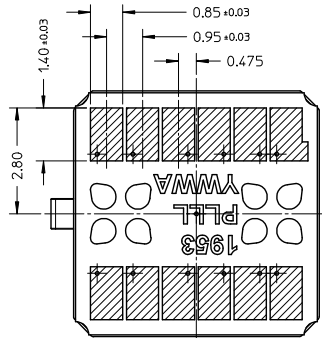
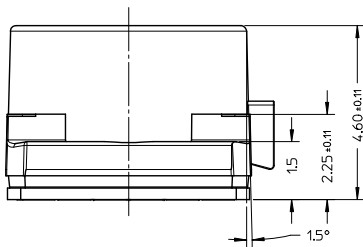
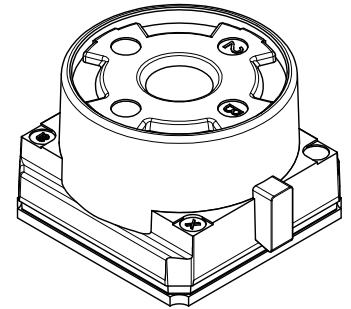
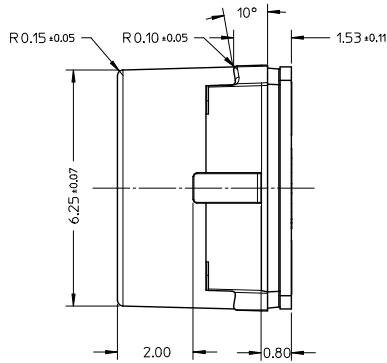
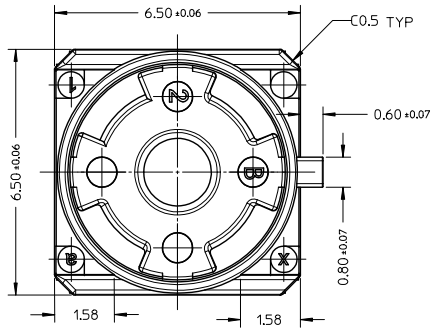
4. PRODUCT SPECIFICATION: PS-105163-001

5. PACKAGING: TAPE&REEL

RELEASED EC NO: SH2015-0045 DRAWN: JHJ CHKD: JHJ APPR: AYIN REV: B	DESCRIPTION 2014/08/26	QUALITY SYMBOLS	GENERAL TOLERANCES (UNLESS SPECIFIED)		DIMENSION STYLE MM ONLY		SCALE 8:1	DESIGN UNITS METRIC	THIRD ANGLE PROJECTION		
		▽=0	4 PLACES	± ---	± ---	DRAWN BY WJHJH	DATE 2012/12/10	TITLE SMA65 CAMERA SOCKET BOTTOM CONTACT 0.8MM MID-MOUNT			
		▽=0	3 PLACES	± ---	± ---	CHECKED BY	DATE	DOCUMENT NO. SD-105163-101			
		▽=0	2 PLACES	± 0.15	± ---	APPROVED BY AYIN	DATE 2013/01/08				
		▽=0	1 PLACE	± 0.20	± ---	MATERIAL NO. 1051631001		THIS DRAWING CONTAINS INFORMATION THAT IS PROPRIETARY TO MOLEX INCORPORATED AND SHOULD NOT BE USED WITHOUT WRITTEN PERMISSION			
			0 PLACE	± ---	± ---	ANGULAR ± 3°					
			DRAFT WHERE APPLICABLE MUST REMAIN WITHIN DIMENSIONS								

9 8 7 6 5 4 3 2 1

APPLIED MODULE



RELEASE EC NO: SH2015-0045 2014/04/29 DRAWN: JHUO 2014/08/26 CHKD: APPR: AYIN	QUALITY SYMBOLS	GENERAL TOLERANCES (UNLESS SPECIFIED)	DIMENSION STYLE	SCALE	DESIGN UNITS	THIRD ANGLE PROJECTION
	√=0 ∇=0 ∇=0	mm INCH 4 PLACES ± --- ± --- 3 PLACES ± --- ± --- 2 PLACES ± 0.15 ± --- 1 PLACE ± 0.20 ± --- ANGULAR ± 3°	MM ONLY	10:1	METRIC	
	DESCRIPTION	DRAFT WHERE APPLICABLE MUST REMAIN WITHIN DIMENSIONS	DRAWN BY DATE	TITLE	MOLEX INCORPORATED	
	REV		WJHUO 2012/12/10	SMIA65 CAMERA SOCKET BOTTOM CONTACT 0.8MM MID-MOUNT	MOLEX	
			CHECKED BY DATE	APPROVED BY DATE	MATERIAL NO.	DOCUMENT NO.
			AYIN 2013/01/08	1051631001	SD-105163-101	SHEET NO. 2 OF 2
			SIZE	THIS DRAWING CONTAINS INFORMATION THAT IS PROPRIETARY TO MOLEX INCORPORATED AND SHOULD NOT BE USED WITHOUT WRITTEN PERMISSION		
			A3			