

Excellent Integrated System Limited

Stocking Distributor

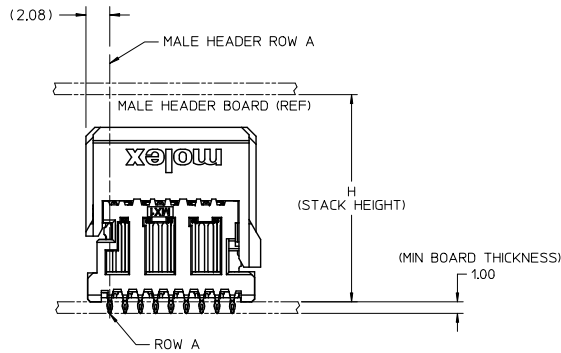
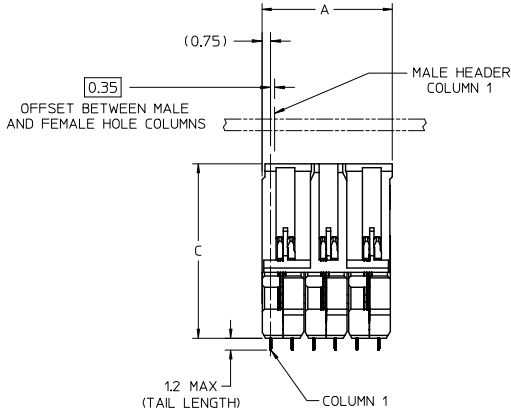
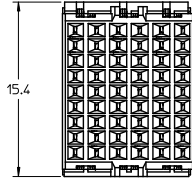
Click to view price, real time Inventory, Delivery & Lifecycle Information:

[Molex Connector Corporation](#)
[1704151618](#)

For any questions, you can email us directly:
sales@integrated-circuit.com

NOTES:

1. MATERIALS: HOUSING - LIQUID CRYSTAL POLYMER (LCP), GLASS-FILLED, UL94V-0
TERMINALS - HIGH PERFORMANCE COPPER ALLOY
2. FINISH: 30µIN SELECTIVE GOLD IN CONTACT AREA. SELECTIVE MATTE TIN OR SELECTIVE TIN/LEAD ON PCB TAILS, NICKEL OVERALL.
3. EACH SIGNAL WAFER CONTAINS 2 COLUMNS OF TERMINALS.
4. PRODUCT SHALL BE PACKAGED PER PK-70873-0050 (18mm), PK-70873-0051 (22mm).
5. FOR FURTHER INFORMATION SEE PRODUCT SPECIFICATION PS-76060-999.
6. THIS PART CONFORMS TO CLASS B REQUIREMENTS OF COSMETIC SPEC PS-45499-002.
7. REFER TO MOLEX SALES DRAWING SD-76165-001 AND CUSTOM PIN-OUT SERIES 76162 FOR THE MATING HEADERS.
8. REFER TO MOLEX PCB ROUTING GUIDE AS-76060-990 FOR ANTIPAD AND ROUTING RECOMMENDATIONS.
9. *THESE DIMENSIONS REPRESENT THE AREA NEEDED TO ACCOMMODATE CONNECTOR INSERTION & REPAIR ON THE PC BOARD. THIS IS REFERRED TO AS THE "CONNECTOR KEEP OUT ZONE" AND DOES NOT REPRESENT THE ACTUAL PERIMETER OF THE CONNECTOR. WHEN LAYING OUT A PC BOARD WITH CONNECTORS STACKED TOGETHER, USE A 1.90mm PROGRESSION.*



| | | | | | | | | | |
|-------------------------------------------------------------------------------------------------------------------------|--------------------------------------|-----------------------------------------------------------------------------------------------------------------|-----------------------------------------------------|------------------------------------------|---------------------------------------------|-----------------------------------------------------------------------------------------------|-------------------------------|-------------------------------------------------------------------------------------------------------------------------------|--|
| ADDED PIN A1 LOGS EC NO: UCP2014-4720 DRAWN BY: DRINKRAUSE 2014/05/12 CHKD: JAPPR:TELO 2014/05/13 B2 REV | QUALITY SYMBOLS ∇=0 ∇=0 ∇=0 | GENERAL TOLERANCES (UNLESS SPECIFIED) | | DIMENSION STYLE MM ONLY | | SCALE 4:1 | DESIGN UNITS METRIC | THIRD ANGLE PROJECTION | |
| | | 4 PLACES ± --- ± --- 3 PLACES ± --- ± --- 2 PLACES ± 0.10 ± --- 1 PLACE ± 0.25 ± --- ANGULAR ± 1/2° | mm INCH --- --- --- --- --- --- --- --- | DRAWN BY TPREMO DATE 2011/01/18 | CHECKED BY JJONIAK DATE 2011/01/18 | TITLE IMPACT 3-PAIR VERTICAL MEZZANINE UNGUIDED SALES DWG | | MOLEX INCORPORATED | |
| DRAFT WHERE APPLICABLE MUST REMAIN WITHIN DIMENSIONS | | SEE SHEET 2 | | MATERIAL NO. | | DOCUMENT NO. SD-170415-001 | | THIS DRAWING CONTAINS INFORMATION THAT IS PROPRIETARY TO MOLEX INCORPORATED AND SHOULD NOT BE USED WITHOUT WRITTEN PERMISSION | |

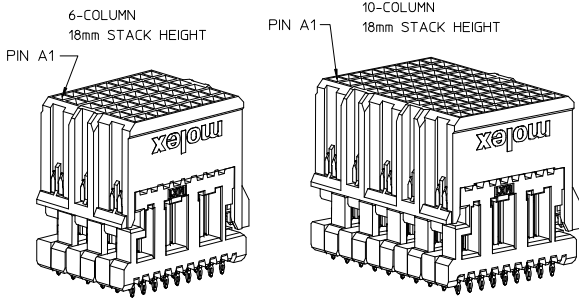
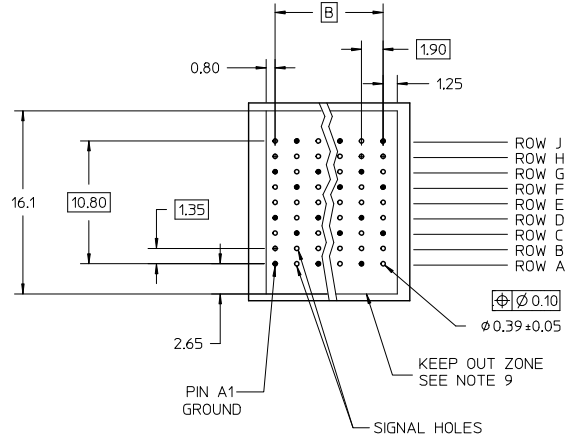
| PART NUMBER | # OF COLUMNS | # OF DIFF PAIR | DIM 'A' | DIM 'B' | DIM 'C' | STACK HEIGHT (H) |
|-------------|--------------|----------------|---------|---------|---------|------------------|
| 170415-1618 | 6 | 18 | 11.4 | 9.50 | 15.36 | 18.00 |
| 170415-1818 | 8 | 24 | 15.2 | 13.30 | 15.36 | 18.00 |
| 170415-1118 | 10 | 30 | 19.0 | 17.10 | 15.36 | 18.00 |
| 170415-1918 | 16 | 48 | 30.4 | 28.50 | 15.36 | 18.00 |
| 170415-1622 | 6 | 18 | 11.4 | 9.50 | 19.36 | 22.00 |
| 170415-1822 | 8 | 24 | 15.2 | 13.30 | 19.36 | 22.00 |
| 170415-1122 | 10 | 30 | 19.0 | 17.10 | 19.36 | 22.00 |
| 170415-1922 | 16 | 48 | 30.4 | 28.50 | 19.36 | 22.00 |

170415-1***

1 = OPEN LEAD-FREE

STACK HEIGHT
18 = 18mm
22 = 22mm

OF COLUMNS
6 = 6 COL 0.39 PTH
8 = 8 COL 0.39 PTH
1 = 10 COL 0.39 PTH
9 = 16 COL 0.39 PTH



| | | | | | | | |
|--------------------------------------------------------------------------------------------------------------------|-----------------------|------------------------------------------------------|-------------------------------------------------------------------------------------------------------------------------------|--------------------|-----------------------------------------------------|------------------------|--|
| SEE SHEET 1 DEC NO: UCP2014-4720 DRAWN/RW/RAISE 2014/05/12 CHKD: JHKKD APPR: TELD 2014/05/13 REV B2 | QUALITY SYMBOLS | GENERAL TOLERANCES (UNLESS SPECIFIED) | DIMENSION STYLE | SCALE | DESIGN UNITS | THIRD ANGLE PROJECTION | |
| | | mm INCH | MM ONLY | 4:1 | METRIC | | |
| | | 4 PLACES ± --- ± --- | DRAWN BY TPREMO DATE 2011/01/18 | TITLE | IMPACT 3-PAIR VERTICAL MEZZANINE UNGUIDED SALES DWG | | |
| | | 3 PLACES ± --- ± --- | CHECKED BY JJONIAK DATE 2011/01/18 | MOLEX INCORPORATED | | | |
| | 2 PLACES ± 0.10 ± --- | 1 PLACE ± 0.25 ± --- | APPROVED BY JBINGHAM DATE 2011/04/04 | SD-170415-001 | | | |
| | ANGULAR ± 1/2° | DRAFT WHERE APPLICABLE MUST REMAIN WITHIN DIMENSIONS | MATERIAL NO. SEE CHART | DOCUMENT NO. | SHEET NO. 2 OF 2 | | |
| | | | THIS DRAWING CONTAINS INFORMATION THAT IS PROPRIETARY TO MOLEX INCORPORATED AND SHOULD NOT BE USED WITHOUT WRITTEN PERMISSION | | | | |