

Excellent Integrated System Limited

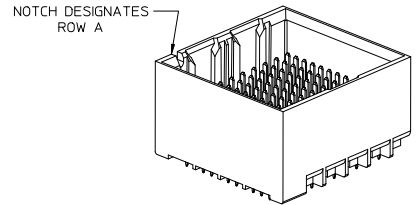
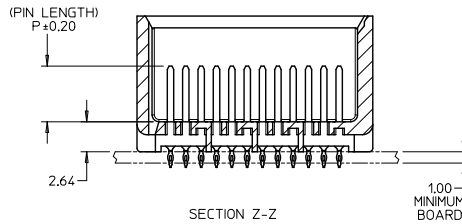
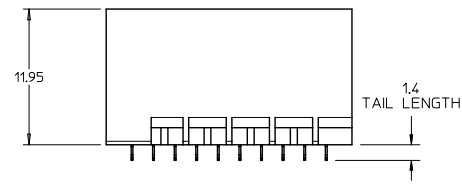
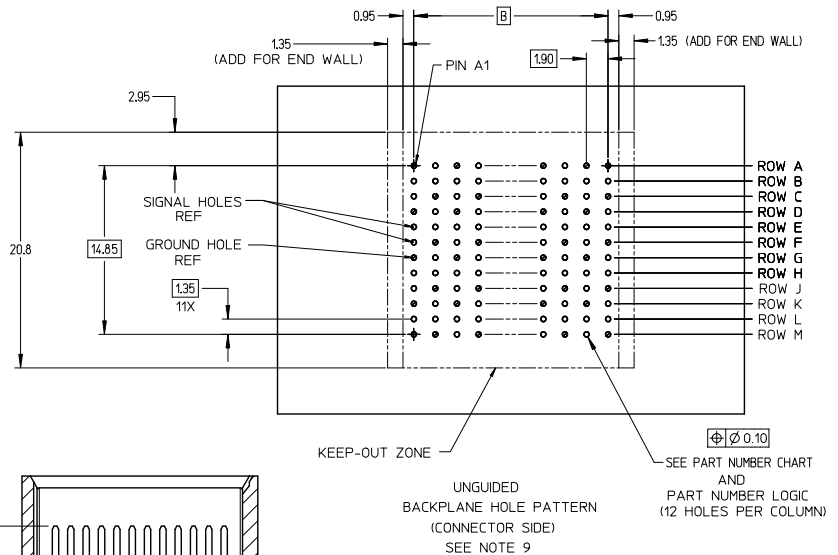
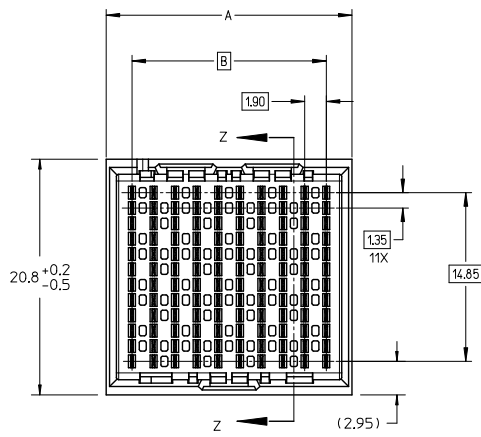
Stocking Distributor

Click to view price, real time Inventory, Delivery & Lifecycle Information:

[Molex Connector Corporation](#)
[1712941628](#)

For any questions, you can email us directly:

sales@integrated-circuit.com

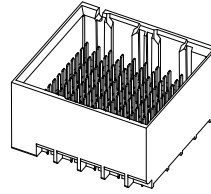


- NOTES:
1. MATERIALS: HOUSING - LIQUID CRYSTAL POLYMER (LCP)
GLASS-FILLED, UL94V-0
TERMINALS - HIGH PERFORMANCE COPPER ALLOY
SELECTIVE MATTE TIN (LEAD-FREE) ON PCB TAILS, NICKEL OVERALL.
 2. FINISH: 10 MNCH MIN GOLD IN CONTACT AREA.
 3. REFER TO MOLEX PRODUCT SPECIFICATION PS-76060-999 FOR PERFORMANCE SPECIFICATIONS AND ADDITIONAL PCB INFORMATION.
 4. THIS PART CONFORMS TO CLASS B REQUIREMENTS OF MOLEX COSMETIC SPEC PS-45499-002.
 5. PARTS PACKAGED PER PK-70873-7701.
 6. SEE SHEETS 2 & 3 FOR PART NUMBERS AND BOARD RELATIONSHIPS.
 7. MATES WITH IMPACT DC SERIES NO. 76160.
 8. REFER TO MOLEX PCB ROUTING GUIDE AS-76060-990 FOR ANTI PAD AND ROUTING RECOMMENDATIONS.
 9. *THESE DIMENSIONS REPRESENT THE AREA NEEDED TO ACCOMMODATE CONNECTOR INSERTION AND REPAIR ON THE PC BOARD. THIS IS REFERRED TO AS THE "CONNECTOR KEEP OUT ZONE" AND DOES NOT REPRESENT THE ACTUAL PERIMETER OF THE CONNECTOR. WHEN LAYING OUT A PC BOARD FOR CONNECTORS STACKED TOGETHER, USE A 1.9mm PROGRESSION.*

MINOR CHANGE EC NO: UCP-2012-3822 DRAWN BY: J.BINGHAM CHKD: JLAURX APPROVAL: JLAURX	DESCRIPTION 2012/05/22 2012/06/04	QUALITY SYMBOLS ▽=0 ▽=0 ▽=0	GENERAL TOLERANCES (UNLESS SPECIFIED)		DIMENSION STYLE MM ONLY		SCALE 4:1	DESIGN UNITS METRIC	THIRD ANGLE PROJECTION	
			mm	INCH	DRAWN BY J.BINGHAM	DATE 2011/11/17	TITLE IMPACT 4 PAIR BACKPLANE UNGUIDED ASSEMBLY SALES DRAWING			
4 PLACES ±---			DRAWN BY		DATE					
3 PLACES ±---			CHECKED BY		DATE					
2 PLACES ±0.13 ±---			APPROVED BY		DATE					
1 PLACE ±0.25 ±---			MATERIAL NO.		DOCUMENT NO.					
0 PLACE ±			ANGULAR ±1/2°		SEE CHART		SD-171294-0001		SHEET NO. 1 OF 3	
DRAFT WHERE APPLICABLE MUST REMAIN WITHIN DIMENSIONS			THIS DRAWING CONTAINS INFORMATION THAT IS PROPRIETARY TO MOLEX INCORPORATED AND SHOULD NOT BE USED WITHOUT WRITTEN PERMISSION							

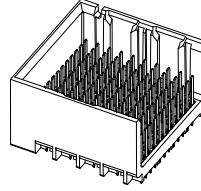
PART NUMBER CHART

MATERIAL NUMBER	# OF COLUMNS	# OF DIFF PAIR	DIM "A"	DIM "B"	DUAL END WALL OPTION
171294-132*	6	24	14.1	9.50	
171294-182*	8	32	17.9	13.30	
171294-112*	10	40	21.7	17.10	
171294-162*	16	64	33.1	28.50	



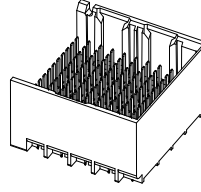
DUAL END WALL OPTION

MATERIAL NUMBER	# OF COLUMNS	# OF DIFF PAIR	DIM "A"	DIM "B"	LEFT END WALL OPTION
171294-131*	6	24	12.7	9.50	
171294-181*	8	32	16.5	13.30	
171294-111*	10	40	20.3	17.10	
171294-161*	16	64	31.7	28.50	



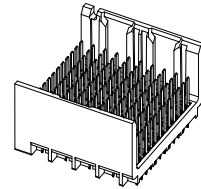
LEFT END WALL OPTION

MATERIAL NUMBER	# OF COLUMNS	# OF DIFF PAIR	DIM "A"	DIM "B"	RIGHT END WALL OPTION
171294-133*	6	24	12.7	9.50	
171294-183*	8	32	16.5	13.30	
171294-113*	10	40	20.3	17.10	
171294-163*	16	64	31.7	28.50	



RIGHT END WALL OPTION

MATERIAL NUMBER	# OF COLUMNS	# OF DIFF PAIR	DIM "A"	DIM "B"	OPEN WALL OPTION
171294-130*	6	24	11.3	9.50	
171294-180*	8	32	15.1	13.30	
171294-110*	10	40	18.9	17.10	
171294-160*	16	64	30.4	28.50	



OPEN WALL OPTION

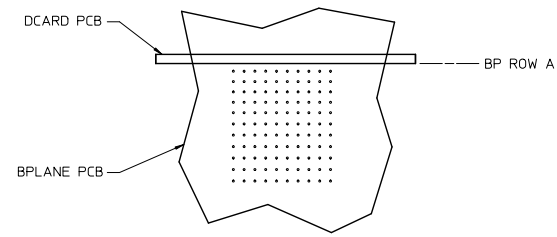
PART NUMBER LOGIC

171294-****

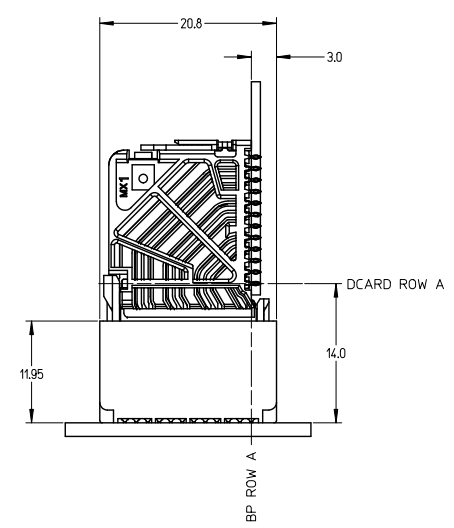
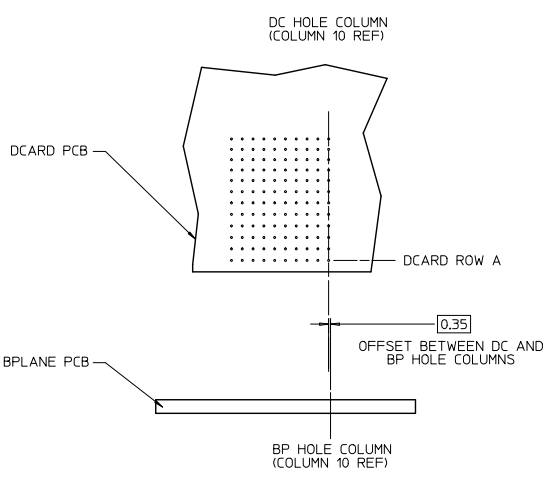
- MODULE TYPE
1 = UNGUIDED, MATTE TIN
- # OF COLUMNS
1 = 10 COL
3 = 6 COL
6 = 16 COL
8 = 8 COL
- END WALL OPTIONS
0 = OPEN ENDS
1 = LEFT END WALL
2 = DUAL END WALL
3 = RIGHT END WALL
- PIN LENGTH (P)
3 = 4.50 (SHORT COMPLIANT, 0.46+0.05 PTH)
4 = 4.90 (SHORT COMPLIANT, 0.46+0.05 PTH)
5 = 5.50 (SHORT COMPLIANT, 0.46+0.05 PTH)
6 = 4.50 (MICRO COMPLIANT, 0.39+0.05 PTH)
7 = 4.90 (MICRO COMPLIANT, 0.39+0.05 PTH)
8 = 5.50 (MICRO COMPLIANT, 0.39+0.05 PTH)

SEE SHEET 1 IEC NO: UCP2012-3822 DRAWING NO: 2012/05/22 CHKD: APPR: M. NELSON 2012/06/04	QUALITY SYMBOLS ∇=0 ∇=0 ∇=0	GENERAL TOLERANCES (UNLESS SPECIFIED) mm INCH 4 PLACES ± --- ± --- 3 PLACES ± --- ± --- 2 PLACES ± 0.13 ± --- 1 PLACE ± 0.25 ± --- 0 PLACE ± ±	DIMENSION STYLE MM ONLY DRAWN BY: JBINGHAM DATE: 2011/11/17 CHECKED BY: JLAURX DATE: 2011/11/17 APPROVED BY: JLAURX DATE: 2011/12/02	SCALE: 2.5:1 DESIGN UNITS: METRIC THIRD ANGLE PROJECTION	TITLE: IMPACT 4 PAIR BACKPLANE UNGUIDED ASSEMBLY SALES DRAWING molex	MATERIAL NO. SEE CHART SIZE: C	DOCUMENT NO. SD-171294-0001	SHEET NO. 2 OF 3

J
I
H
G
F
E
D
C
B
A



IMPACT 4 PAIR
BOARD RELATIONSHIPS



SEE SHEET 1 EC NO: UCP2012-3822 DRAWN BY: 2012/05/22 CHKD: 2012/06/04 APPROVED BY: JAPPRINELSON	QUALITY SYMBOLS ▽=0 ▽=0 ▽=0	GENERAL TOLERANCES (UNLESS SPECIFIED)		DIMENSION STYLE MM ONLY		SCALE 3:1	DESIGN UNITS METRIC	THIRD ANGLE PROJECTION	
		4 PLACES ± --- ± ---	3 PLACES ± --- ± ---	2 PLACES ± 0.13 ± ---	1 PLACE ± 0.25 ± ---	0 PLACE ± ±	ANGULAR ± 1/2°	DRAFT WHERE APPLICABLE MUST REMAIN WITHIN DIMENSIONS	
REV B	DESCRIPTION	DRAWN BY: JB INGHAM DATE: 2011/11/17		CHECKED BY: JLAURX DATE: 2011/11/17		APPROVED BY: JLAURX DATE: 2011/12/02		TITLE IMPACT 4 PAIR BACKPLANE UNGUIDED ASSEMBLY SALES DRAWING	
		MATERIAL NO.		SEE CHART		DOCUMENT NO. SD-171294-0001		SHEET NO. 3 OF 3	
THIS DRAWING CONTAINS INFORMATION THAT IS PROPRIETARY TO MOLEX INCORPORATED AND SHOULD NOT BE USED WITHOUT WRITTEN PERMISSION									