

Excellent Integrated System Limited

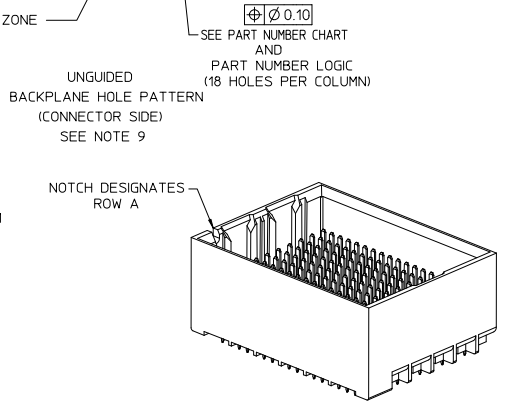
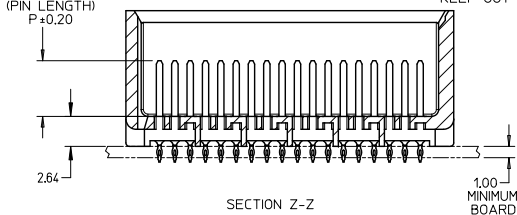
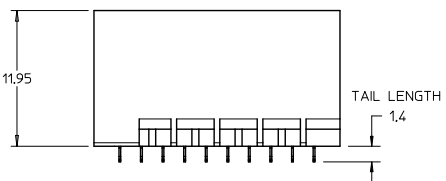
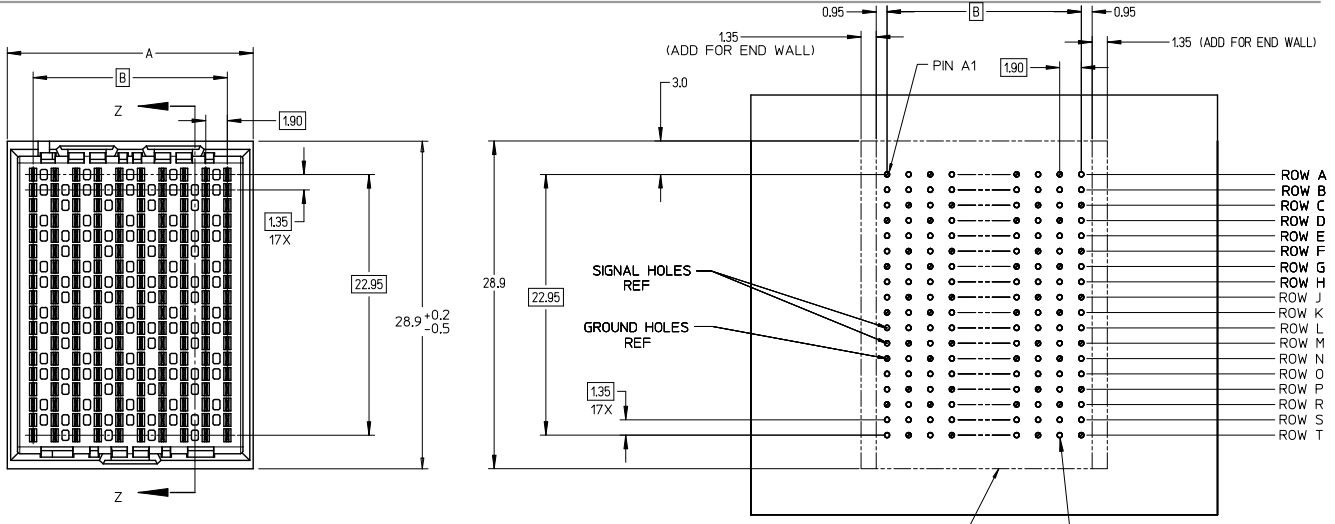
Stocking Distributor

Click to view price, real time Inventory, Delivery & Lifecycle Information:

[Molex Connector Corporation](#)
[1712981604](#)

For any questions, you can email us directly:

sales@integrated-circuit.com

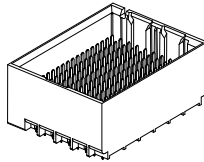


- NOTES:
1. MATERIALS: HOUSING - LIQUID CRYSTAL POLYMER (LCP)
GLASS-FILLED, UL94V-0
TERMINALS - HIGH PERFORMANCE COPPER ALLOY
 2. FINISH: 10 μMCH MIN GOLD IN CONTACT AREA,
SELECTIVE MATTE TIN ON PCB TAILS, NICKEL OVERALL.
 3. REFER TO MOLEX PRODUCT SPECIFICATION PS-76060-999
FOR PERFORMANCE SPECIFICATIONS AND ADDITIONAL PCB INFORMATION.
 4. THIS PART CONFORMS TO CLASS B REQUIREMENTS OF
MOLEX COSMETIC SPEC PS-45499-002.
 5. PARTS PACKAGED PER PK-70873-7703.
 6. SEE SHEETS 2 & 3 FOR PART NUMBERS AND BOARD RELATIONSHIPS.
 7. MATES WITH IMPACT DC SERIES NO. 76150.
 8. REFER TO MOLEX PCB ROUTING GUIDE AS-76060-990 FOR ANTIPAD AND
ROUTING RECOMMENDATIONS.
 9. *THESE DIMENSIONS REPRESENT THE AREA NEEDED TO ACCOMMODATE
CONNECTOR INSERTION AND REPAIR ON THE PC BOARD. THIS IS REFERRED
TO AS THE "CONNECTOR KEEP OUT ZONE" AND DOES NOT REPRESENT THE
ACTUAL PERIMETER OF THE CONNECTOR. WHEN LAYING OUT A PC BOARD FOR
CONNECTORS STACK TOGETHER, USE A 1.9mm PROGRESSION.*

RELEASED EC NO: UCP2012-4587 DRWG: JBINGHAM 2011/11/22 CHKD: LAURX 2011/11/22 APPR: LAURX 2011/12/02 A	QUALITY SYMBOLS ▽=0 ▽=0	GENERAL TOLERANCES (UNLESS SPECIFIED)		DIMENSION STYLE MM ONLY		SCALE 4:1	DESIGN UNITS METRIC	THIRD ANGLE PROJECTION			
		4 PLACES ± --- ± ---	3 PLACES ± --- ± ---	2 PLACES ± 0.13 ± ---	1 PLACE ± 0.25 ± ---	ANGULAR ± 1/2°	DRAWN BY JBINGHAM	DATE 2011/11/22	TITLE IMPACT 6 PAIR BACKPLANE UNGUIDED ASSEMBLY SALES DRAWING		
		DRAFT WHERE APPLICABLE MUST REMAIN WITHIN DIMENSIONS					CHECKED BY JLAURX	DATE 2011/11/22	MOLEX INCORPORATED		
		SEE CHART					APPROVED BY JLAURX	DATE 2011/12/02	MATERIAL NO. SEE CHART	DOCUMENT NO. SD-171298-0001	SHEET NO. 1 OF 3

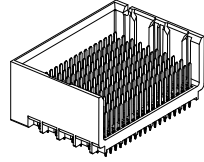
PART NUMBER CHART

MATERIAL NUMBER	# OF COLUMNS	# OF DIFF PAIR	DIM 'A'	DIM 'B'	DUAL END WALL OPTION
171298-12*	10	60	21.7	17.10	
171298-172*	14	84	29.3	24.70	
171298-162*	16	96	33.1	28.50	



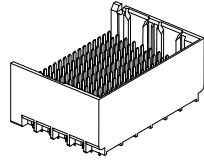
DUAL END
WALL OPTION

MATERIAL NUMBER	# OF COLUMNS	# OF DIFF PAIR	DIM 'A'	DIM 'B'	LEFT END WALL OPTION
171298-111*	10	60	20.3	17.10	
171298-171*	14	84	27.9	24.70	
171298-161*	16	96	31.7	28.50	



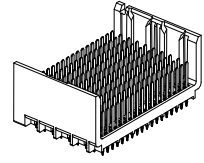
LEFT END
WALL OPTION

MATERIAL NUMBER	# OF COLUMNS	# OF DIFF PAIR	DIM 'A'	DIM 'B'	RIGHT END WALL OPTION
171298-113*	10	60	20.3	17.10	
171298-173*	14	84	27.9	24.70	
171298-163*	16	96	31.7	28.50	



RIGHT END
WALL OPTION

MATERIAL NUMBER	# OF COLUMNS	# OF DIFF PAIR	DIM 'A'	DIM 'B'	OPEN WALL OPTION
171298-110*	10	60	18.9	17.10	
171298-170*	14	84	26.5	24.70	
171298-160*	16	96	30.3	28.50	



OPEN
WALL OPTION

PART NUMBER LOGIC

171298-****

MODULE TYPE
1 = UNGUIDED, MATTE TIN

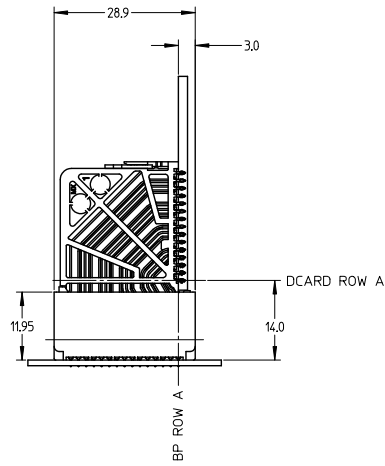
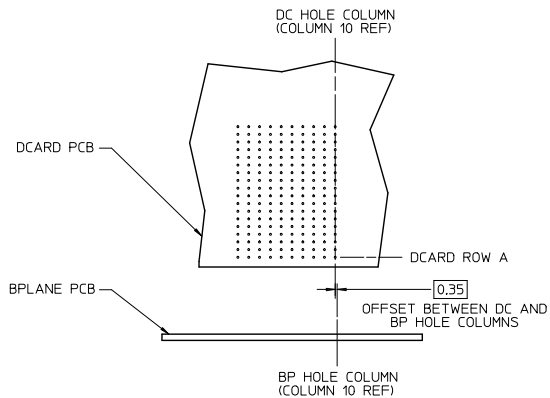
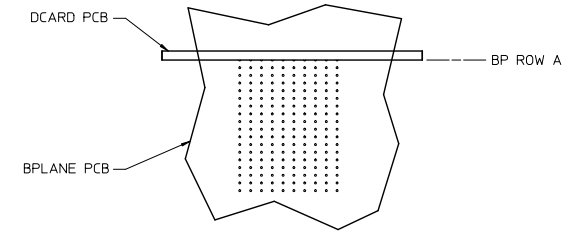
P-PIN LENGTH
3 = 4.50 (SHORT COMPLIANT, 0.46±0.05 PTH)
4 = 4.90 (SHORT COMPLIANT, 0.46±0.05 PTH)
5 = 5.50 (SHORT COMPLIANT, 0.46±0.05 PTH)
6 = 4.50 (MICRO COMPLIANT, 0.39±0.05 PTH)
7 = 4.90 (MICRO COMPLIANT, 0.39±0.05 PTH)
8 = 5.50 (MICRO COMPLIANT, 0.39±0.05 PTH)

END WALL OPTIONS
0 = OPEN ENDS
1 = LEFT END WALL
2 = DUAL END WALL
3 = RIGHT END WALL

OF COLUMNS
1 = 10 COLUMN
6 = 16 COLUMN
7 = 14 COLUMN

SEE SHEET 1 IEC NO: UCP2012-5587 DRAWN: JB INGHAM 2011/11/22 CHKD: JLAURX 2011/11/22 APPR: JLAURX 2011/12/02 DESCRIPTION:	QUALITY SYMBOLS	GENERAL TOLERANCES (UNLESS SPECIFIED)	DIMENSION STYLE	SCALE	DESIGN UNITS	THIRD ANGLE PROJECTION	
	▽=0 ▽=0	4 PLACES ± --- ± --- 3 PLACES ± --- ± --- 2 PLACES ± 0.13 ± --- 1 PLACE ± 0.25 ± --- ANGULAR ± 1/2°	MM ONLY	2:1	METRIC		
	DRAFT WHERE APPLICABLE MUST REMAIN WITHIN DIMENSIONS	DRAWN BY: JB INGHAM 2011/11/22 CHECKED BY: JLAURX 2011/11/22 APPROVED BY: JLAURX 2011/12/02	TITLE: IMPACT 6 PAIR BACKPLANE UNGUIDED ASSEMBLY SALES DRAWING MOLEX INCORPORATED				
	SEE CHART	MATERIAL NO. SD-171298-0001 DOCUMENT NO. 2 OF 3 SHEET NO. 2 OF 3	THIS DRAWING CONTAINS INFORMATION THAT IS PROPRIETARY TO MOLEX INCORPORATED AND SHOULD NOT BE USED WITHOUT WRITTEN PERMISSION				

IMPACT 6 PAIR
BOARD RELATIONSHIPS



SEE SHEET 1 EC NO: UCP2012-1587 DRWN: BINGHAM 2011/11/22 CHKD: LAURX 2011/11/22 APPR: LAURX 2011/12/02	QUALITY SYMBOLS ▽=0 ∇=0	GENERAL TOLERANCES (UNLESS SPECIFIED)		DIMENSION STYLE MM ONLY		SCALE 2:1	DESIGN UNITS METRIC	THIRD ANGLE PROJECTION		
			mm	INCH	DRAWN BY JB INGHAM	DATE 2011/11/22	TITLE IMPACT 6 PAIR BACKPLANE UNGUIDED ASSEMBLY SALES DRAWING			
		4 PLACES ±	---	---	CHECKED BY JLAURX	DATE 2011/11/22				
		3 PLACES ±	---	---	APPROVED BY JLAURX		DATE 2011/12/02	MOLEX INCORPORATED		MATERIAL NO. SD-171298-0001 SHEET NO. 3 OF 3
2 PLACES ±	0.13	---	DRAFT WHERE APPLICABLE MUST REMAIN WITHIN DIMENSIONS		SIZE C	THIS DRAWING CONTAINS INFORMATION THAT IS PROPRIETARY TO MOLEX INCORPORATED AND SHOULD NOT BE USED WITHOUT WRITTEN PERMISSION				