

Excellent Integrated System Limited

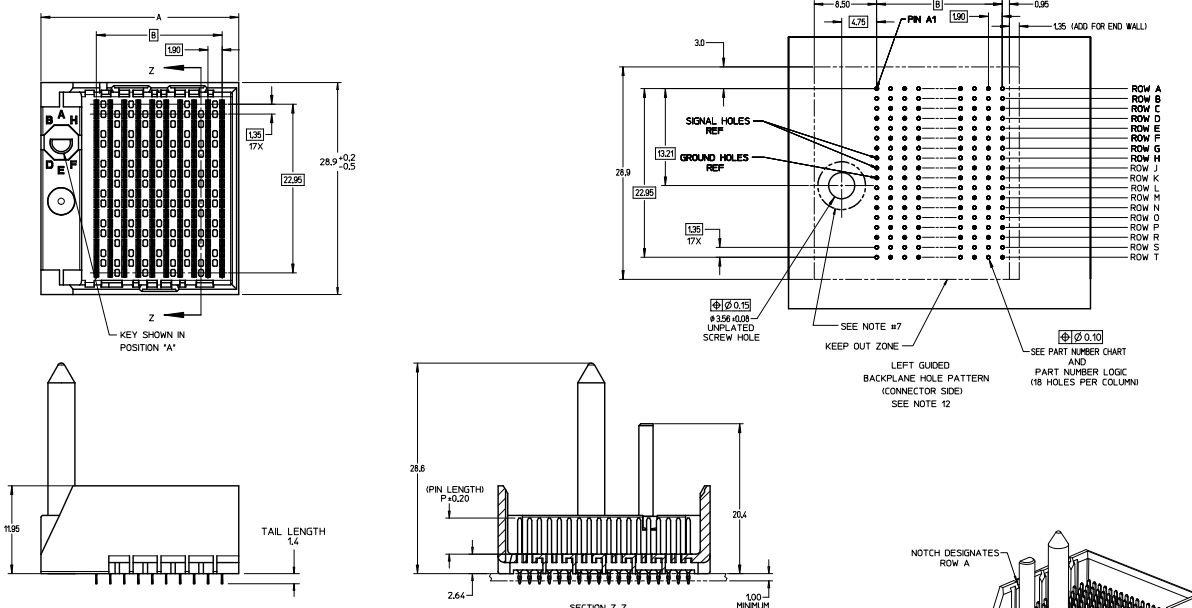
Stocking Distributor

Click to view price, real time Inventory, Delivery & Lifecycle Information:

[Molex Connector Corporation](#)
[1712983107](#)

For any questions, you can email us directly:

sales@integrated-circuit.com



- NOTES:**
1. MATERIALS: HOUSING - LIQUID CRYSTAL POLYMER (LCP)
GLASS-FILLED, UL94V-0
TERMINALS - HIGH PERFORMANCE COPPER ALLOY
 2. FINISH: 10 MINCH MN GOLD IN CONTACT AREA,
SELECTIVE MATTE TIN ON PCB TAILS, NICKEL OVERALL.
 3. REFER TO MOLEX PRODUCT SPECIFICATION PS-76060-999
FOR PERFORMANCE SPECIFICATIONS AND ADDITIONAL PCB INFORMATION.
 4. THIS PART CONFORMS TO CLASS B REQUIREMENTS OF
MOLEX COSMETIC SPEC PS-45499-002.
 5. PARTS PACKAGED PER PK-70873-760
 6. SEE SHEETS 2 & 3 FOR PART NUMBERS AND BOARD RELATIONSHIPS.
 7. FOR GROUNDED GUIDE PINS USE DA, 3.56 +/-0.08 (PTH)
DA, 3.66 (DRILL) AND DA, 4.55 (PAD).
 8. MATES WITH IMPACT DC SERIES NO. 76150.
 9. KEEP OUT ZONE FOR BP HOUSING LENGTH INCLUDES AN ADDITIONAL 1.0MM
TO ACCOMMODATE FOR SPACE REQUIRED BY DC FRONT HOUSING.
 10. REFER TO MOLEX PCB ROUTING GUIDE AS-76060-990 FOR ANTI PAD AND ROUTING RECOMMENDATIONS.
 11. CONNECTORS SUPPLIED WITH A 2-56 UNC-2A SCREW.
 12. THESE DIMENSIONS REPRESENT THE AREA NEEDED TO ACCOMMODATE CONNECTOR INSERTION AND
REPAIR ON THE PC BOARD. THIS IS REFERRED TO AS THE 'CONNECTOR KEEP OUT ZONE' AND
DOES NOT REPRESENT THE ACTUAL PERIMETER OF THE CONNECTOR, WHEN LAYING OUT A PC BOARD
FOR CONNECTORS STACKED TOGETHER, USE A 1.9mm PROGRESSION.

RELEASED E.C.NG.14P202-587 2011/11/23 D.R.W.S.B.INGHAM 2011/11/23 C.H.K.O.L.A.N.K.R 2011/11/23 A.P.P.R.E.J.L.A.U.R.X 2011/12/02 APPROVED BY A	QUALITY SYMBOLS 4 PLACES ±0 3 PLACES ±0.13 2 PLACES ±0.25 1 PLACE ANGULAR ±1/2°	GENERAL TOLERANCES (UNLESS SPECIFIED) mm INCH ±0.13 ±0.005 ±0.25 ±0.010 ANGULAR ±1/2°	DIMENSION STYLE MM ONLY	SCALE 4:1	DESIGN UNITS METRIC	THIRD ANGLE PROJECTION
	DRAWN BY J.B.INGHAM 2011/11/23	CHECKED BY J.L.A.U.R.X 2011/11/23	APPROVED BY J.L.A.U.R.X 2011/12/02	MATERIAL NO. SEE CHART	DOCUMENT NO. SD-171298-0002	TITLE IMPACT 6 PAIR BACKPLANE LEFT GUIDED ASSEMBLY SALES DRAWING

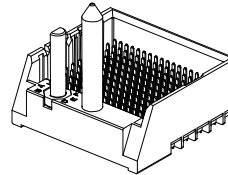
PART NUMBER LOGIC

171298-***

- MODULE TYPE
 - 3 = GUIDE LEFT, MATTE TIN
 - 7 = GUIDE LEFT END WALL, MATTE TIN
- # OF COLUMNS
 - 1 = 10 COL
 - 6 = 16 COL
 - 7 = 14 COL
- PIN LENGTH (P)
 - 3 = 4.50 (SHORT COMPLIANT, 0.46±0.05 PTH)
 - 4 = 4.90 (SHORT COMPLIANT, 0.46±0.05 PTH)
 - 5 = 5.50 (SHORT COMPLIANT, 0.46±0.05 PTH)
 - 6 = 4.50 (MICRO COMPLIANT, 0.39±0.05 PTH)
 - 7 = 4.90 (MICRO COMPLIANT, 0.39±0.05 PTH)
 - 8 = 5.50 (MICRO COMPLIANT, 0.39±0.05 PTH)
- KEY ORIENTATION
 - 0 = NO KEY
 - 1 = A
 - 2 = B
 - 3 = C
 - 4 = D
 - 5 = E
 - 6 = F
 - 7 = G
 - 8 = H

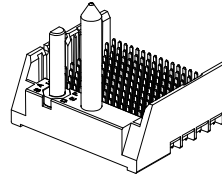
PART NUMBER CHART

MATERIAL NUMBER	# OF COLUMNS	# OF DIFF PAIR	DIM 'A'	DIM 'B'	
171298-71**	10	60	26.9	17.10	GUIDE LEFT END WALL OPTION
171298-77**	14	84	34.5	24.70	
171298-76**	16	96	38.3	28.50	



GUIDE LEFT
END WALL
OPTION

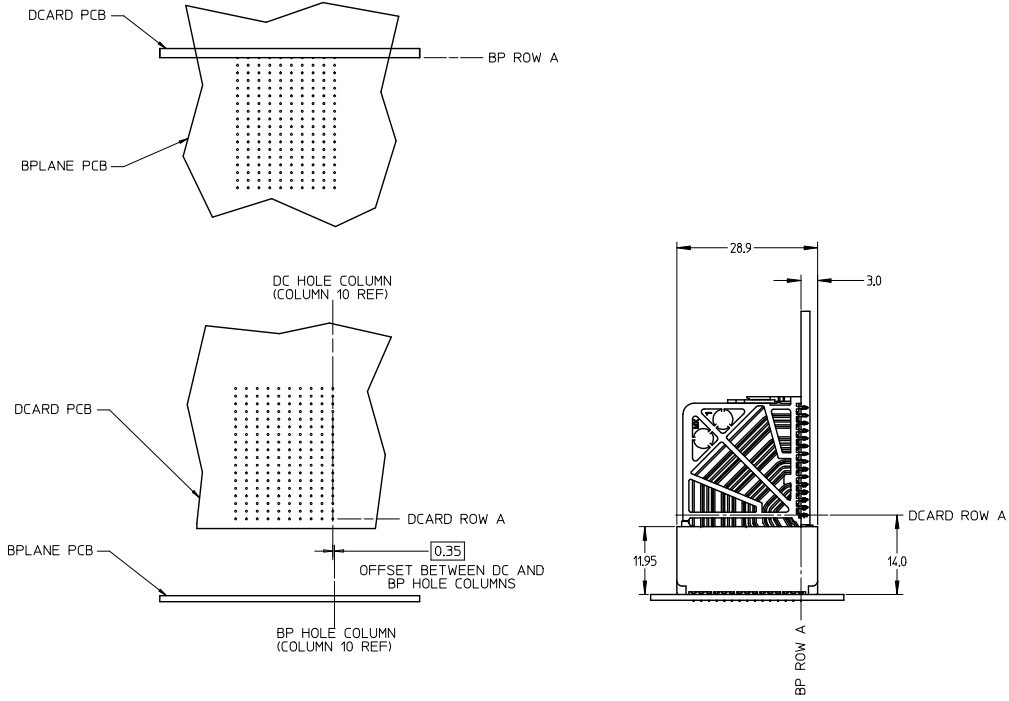
MATERIAL NUMBER	# OF COLUMNS	# OF DIFF PAIR	DIM 'A'	DIM 'B'	
171298-31**	10	60	25.5	17.10	GUIDE LEFT OPEN WALL OPTION
171298-37**	14	84	33.1	24.70	
171298-36**	16	96	36.9	28.50	



GUIDE LEFT
OPEN WALL
OPTION

SEE SHEET 1 IEC NO: UCP2012-1587 DRAWN: JB INGHAM 2011/11/23 CHKD: JLAURX 2011/11/23 APPR: JLAURX 2011/12/02 REV A	QUALITY SYMBOLS	GENERAL TOLERANCES (UNLESS SPECIFIED)	DIMENSION STYLE	SCALE	DESIGN UNITS	THIRD ANGLE PROJECTION
	▽=0 ▽=0	mm INCH 4 PLACES ± --- ± --- 3 PLACES ± --- ± --- 2 PLACES ± 0.13 ± --- 1 PLACE ± 0.25 ± --- ANGULAR ± 1/2°	MM ONLY	2:1	METRIC	THIRD ANGLE PROJECTION
		DRAFT WHERE APPLICABLE MUST REMAIN WITHIN DIMENSIONS	SEE CHART			TITLE IMPACT 6 PAIR BACKPLANE LEFT GUIDED ASSEMBLY SALES DRAWING
						MOLEX INCORPORATED MATERIAL NO. SD-171298-0002 DOCUMENT NO. SHEET NO. 2 OF 3

IMPACT 6 PAIR
BOARD RELATIONSHIPS



SEE SHEET 1 EC NO: UCP2012-1587 DRAWN: JB INGHAM 2011/11/23 CHKD: JLAURX 2011/11/23 APPR: JLAURX 2011/12/02 REV A	QUALITY SYMBOLS ▽=0 ▽=0	GENERAL TOLERANCES (UNLESS SPECIFIED) mm INCH 4 PLACES ± --- ± --- 3 PLACES ± --- ± --- 2 PLACES ± 0.13 ± --- 1 PLACE ± 0.25 ± --- ANGULAR ± 1/2°	DIMENSION STYLE MM ONLY DRAWN BY: JB INGHAM DATE: 2011/11/23 CHECKED BY: JLAURX DATE: 2011/11/23 APPROVED BY: JLAURX DATE: 2011/12/02	SCALE: 2:1 DESIGN UNITS: METRIC THIRD ANGLE PROJECTION	TITLE: IMPACT 6 PAIR BACKPLANE LEFT GUIDED ASSEMBLY SALES DRAWING MOLEX INCORPORATED MATERIAL NO. SEE CHART DOCUMENT NO. SD-171298-0002 SHEET NO. 3 OF 3	
	DRAFT WHERE APPLICABLE MUST REMAIN WITHIN DIMENSIONS		SIZE C	THIS DRAWING CONTAINS INFORMATION THAT IS PROPRIETARY TO MOLEX INCORPORATED AND SHOULD NOT BE USED WITHOUT WRITTEN PERMISSION		