

Excellent Integrated System Limited

Stocking Distributor

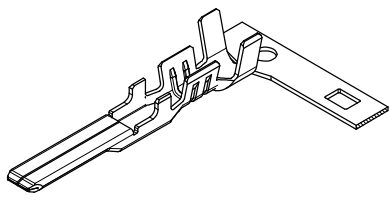
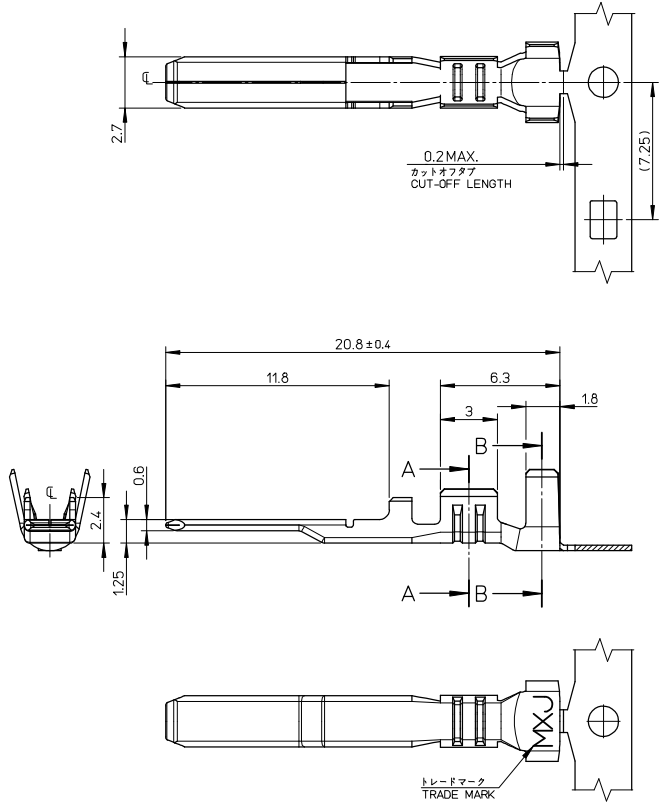
Click to view price, real time Inventory, Delivery & Lifecycle Information:

[Molex Connector Corporation](#)
[5031951000](#)

For any questions, you can email us directly:

sales@integrated-circuit.com

10 9 8 7 6 5 4 3 2 1



注記:
NOTES

1. 使用材料: 銅合金(板厚=0.3)
MATERIALS: COPPER ALLOY (THICKNESS=0.3)
2. めっき仕様
FINISHES
コンタクト部: ニッケル下地 金めっき
CONTACT AREA: GOLD OVER NICKEL PLATING
めっき厚: 金めっき 0.25 マイクロメートル以上
下地めっき 1.0 マイクロメートル以上
THICKNESS: GOLD 0.25 MICROMETER MINIMUM
OVER NICKEL PLATING 1.0 MICROMETER MINIMUM
圧着部: ニッケル下地 銅めっき
CRIMP AREA: TIN OVER NICKEL PLATING
めっき厚: 銅めっき 1.0 マイクロメートル以上
下地めっき 1.0 マイクロメートル以上
TICKNESS: TIN 1.0 MICROMETER MINIMUM
OVER NICKEL PLATING 1.0 MICROMETER MINIMUM
3. 端子圧着の仕様については、圧着仕様書(CS-503196-001)を参照します。
PLEASE REFER TO CRIMP SPECIFICATION (CS-503196-001) FOR ROBOT CONN.
4. 製品の仕様については、製品仕様書(PS-58691-001)を参照します。
PLEASE REFER TO PRODUCT SPECIFICATION (PS-58691-001) FOR ROBOT CONN.
5. 製品の取扱いについては、コネクタ取り扱い説明書(AS-58696-001)を参照します。
PLEASE REFER TO USER'S MANUAL (AS-58696-001) FOR ROBOT CONN.
6. 適合ハウジング: 503193-0600
APPLICABLE HOUSING: 503193-0600
7. 適用圧着工具: 578056-3000 (自動機/503195-1000に適用)
578056-5300 (手動工具/503195-1100に適用)
APPLICABLE CRIMP TOOL: 578056-3000 (AUTOMATIC / APPLY TO 503195-1000)
578056-5300 (HAND TOOL / APPLY TO 503195-1100)
8. 適用端子引抜き工具: 578056-6000
APPLICABLE TERMINAL EXTRACTION TOOL: 578056-6000
9. 適用電線純径: AWG#16-19(0.76-1.39mm²)
APPLICABLE WIRE: AWG#16-19(0.76-1.39mm²)
10. 絶縁被覆外径: φ2.0-φ2.51mm
INSULATION EXTERNAL DIA.: φ2.0-φ2.51mm
11. ELV及びRoHS適合品
ELV AND RoHS COMPLIANT

SECTION A-A
Scale 10:1

SECTION B-B
Scale 10:1

バラ状 LOOSE	503195-1100	503195-****
連鎖状 CHAIN	503195-1000	
端子形状 TERMINAL CONFIGURATION	オーダー番号 ORDER No.	MODEL No.

RELEASED EC NO. J2008-3396 DRAWN: SAKIYAMA 2008/03/25 CHKD: SATO03 2008/03/26 APPR: S ICHIKAWA 2008/03/26 REV. DESCRIPTION	GENERAL TOLERANCES (UNLESS SPECIFIED)		DIMENSION STYLE MM ONLY	SCALE 5:1	DESIGN UNITS METRIC	THIRD ANGLE PROJECTION
	10 UNDER	± 0.20	DRAWN BY S. AKIYAMA	DATE 08/02/06	TITLE ROBOT CONN, 36P PLUG CRIMP TERMINAL	
	10 OVER 30 UNDER	± 0.25	CHECKED BY S. SATO	DATE 08/02/06	MOLEX INCORPORATED	
	30 OVER	± 0.30	APPROVED BY S. ICHIKAWA	DATE 08/02/06	MATERIAL NO. SEE CHART	DOCUMENT NO. SD-503195-001
ANGULAR ±3°			THIS DRAWING CONTAINS INFORMATION THAT IS PROPRIETARY TO MOLEX INCORPORATED AND SHOULD NOT BE USED WITHOUT WRITTEN PERMISSION			
DRAFT WHERE APPLICABLE MUST REMAIN WITHIN DIMENSIONS						