

Excellent Integrated System Limited

Stocking Distributor

Click to view price, real time Inventory, Delivery & Lifecycle Information:

[Panduit](#)

[PN10-10LF-2K](#)

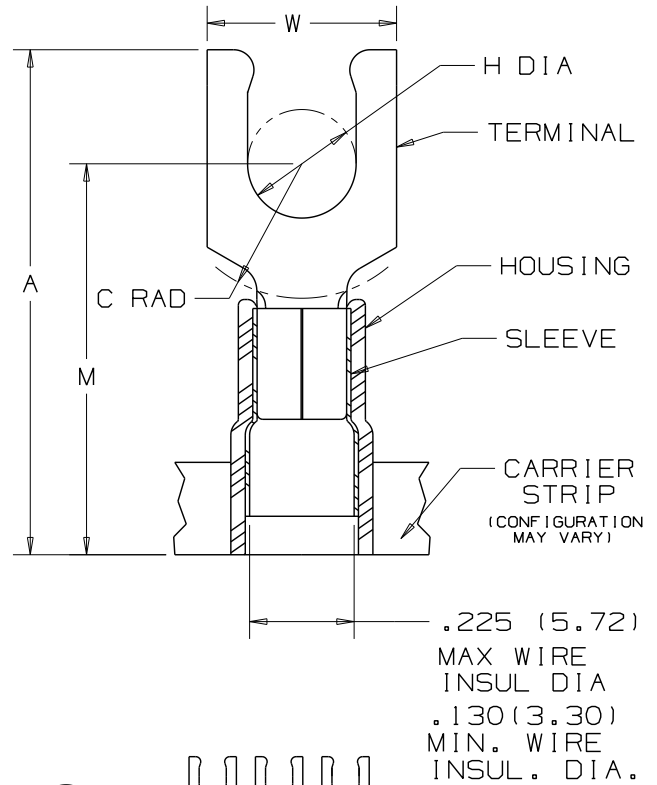
For any questions, you can email us directly:

sales@integrated-circuit.com



THIS COPY IS PROVIDED ON A RESTRICTED BASIS AND IS NOT TO BE USED IN ANY WAY DETRIMENTAL TO THE INTERESTS OF PANDUIT CORP.

PANDUIT PART NUMBER	STUD SIZE	DIMENSIONS in.				
		A $\pm .040$	W $\pm .010$	C $\pm .020$	M $\pm .040$	H $\pm .010$
PN10-6LF-2K	#6	1.02 (25.91)	.30 (7.62)	.21 (5.33)	.79 (20.07)	.14 (3.56)
PN10-8LF-2K	#8	1.05 (26.67)	.30 (7.62)	.21 (5.33)	.79 (20.07)	.16 (4.06)
PN10-10LF-2K	#10	1.05 (26.67)	.34 (8.64)	.21 (5.33)	.79 (20.07)	.19 (4.83)



NOTES :

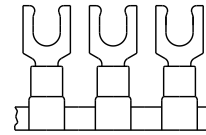
- UL LISTED AND CSA CERTIFIED FOR :
 - 600 V MAX. VOLTAGE RATING
 - 221°F (105°C) MAX. TEMP. RATING
 - #12-10 AWG (2.5-6.0 mm²) SOLID OR STRANDED, COPPER WIRE
- PACKAGE QTY. : 2K = 2000 PCS.
CONTINUOUS MOLDED CARRIER STRIP
- MATERIAL :
 - STAMPING - .04" THK COPPER, TIN PLATED
 - HOUSING - YELLOW NYLON
 - SLEEVE - BRASS, TIN PLATED
- DIMENSIONS IN BRACKETS ARE IN MILLIMETERS
- INSTALLATION TOOLS :
 - PRESSES - CP-851, CP-860, CP-861
 - APPLICATOR - CA-800
 - DIE INSERTS - CD-800-3
- WIRE STRIP LENGTH: $9/32^{+1/32}_{-0}$ (7.1^{+0.8}₋₀)



LISTED
587H
E52164



CERTIFIED
LR31212



							PANDUIT CORP.		TINLEY PARK, ILLINOIS		
									TERMO 3PC. CONTINUOUSLY MOLDED NYLON INSULATED, 12-10 BARREL, LOCKING FORKS		
06	11/07	SRB		Removed part #PN10-14LF-2K Part Obsoleted							
REV	DATE	BY	CHK	DESCRIPTION	ECN	CUST	PM	DRAWN BY	CHK'D	SCALE	DRAWING NO.
								JMV	LA	NONE	A41101