

Excellent Integrated System Limited

Stocking Distributor

Click to view price, real time Inventory, Delivery & Lifecycle Information:

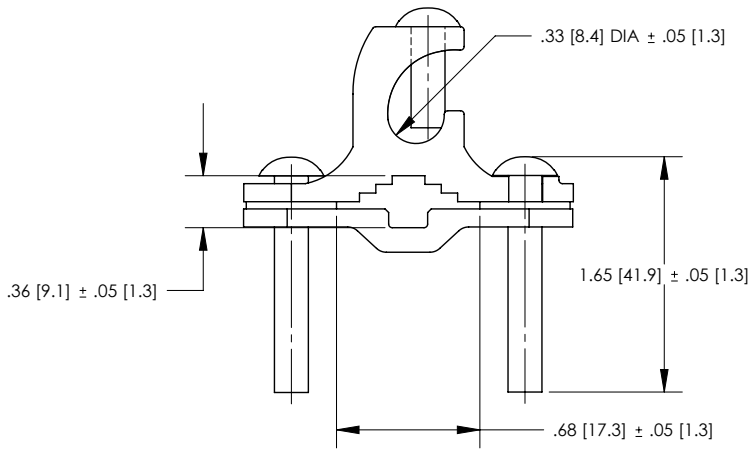
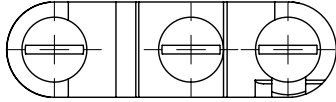
[Panduit](#)

[GPLAC2-1-C](#)

For any questions, you can email us directly:

sales@integrated-circuit.com

THIS COPY IS PROVIDED ON A RESTRICTED BASIS AND IS NOT TO BE USED IN ANY WAY DETRIMENTAL TO THE INTERESTS OF PANDUIT CORP.



NOTES:

- MATERIAL:
BODY - BRONZE (GUN METAL)
SCREW - PHOS. BRONZE
WASHER - COPPER
- PARTS ARE cULus LISTED TO UL467 AS GROUNDING & BONDING EQUIPMENT.
- RATED FOR DIRECT BURIAL
- SEE WWW.PANDUIT.COM FOR PART NUMBER SUFFIX DESIGNATION FOR PACKAGING SIZE.



PART NUMBER	DESCRIPTION	WATER PIPE	GROUNDING WIRE
GPLAC2-1	GROUND CLAMP BARE WIRE DIRECT BURIAL LAY-IN FEATURE	1/2" - 1"	10 - 2 STR

REV	DATE	BY	CHK	APR	DESCRIPTION	ECN
00	7/12	JHNU	SRBI	RGB	DRAWING RELEASED	10J018AC-JC

TITLE BRONZE GROUND PIPE CLAMP 1/2"-1" DIRECT BURIAL (GPLAC2-1) CUSTOMER DRAWING	
ITEM REVISION NAME 10J018AC/00	
DATASET FILE NAME 10J018AC-JC/00.SLDRW	
UNLESS OTHERWISE SPECIFIED, DIMENSIONAL TOLERANCES ARE: IN [mm]	
.X ±	.XXX ±
.XX ±	ANGLES ±
THIRD ANGLE PROJECTION	
DRAWN BY JHNU	DATE 7/12
CHK SRBI	SCALE N/A
MATERIAL SEE NOTES	
DRAWING NUMBER 10J018AC-JC	
SHEET 1 OF 1	
SIZE A	