

## Excellent Integrated System Limited

Stocking Distributor

Click to view price, real time Inventory, Delivery & Lifecycle Information:

[Panduit](#)

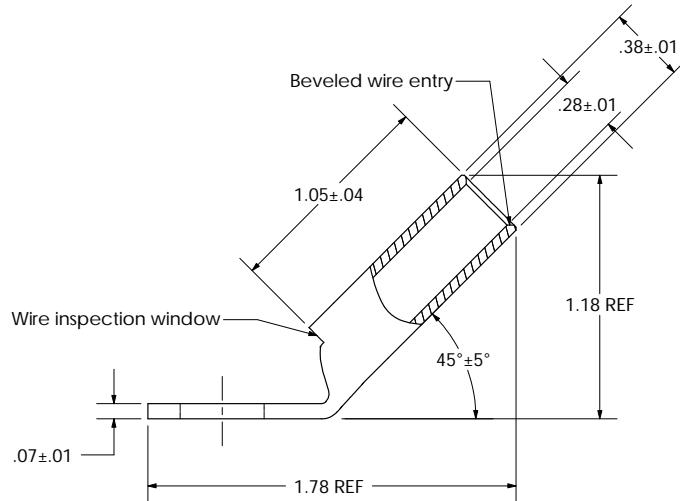
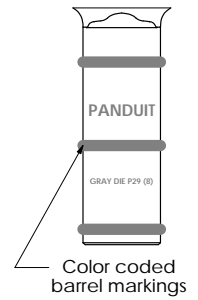
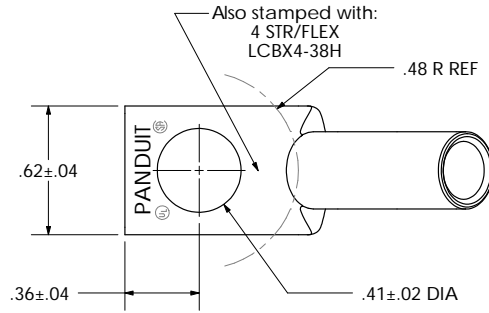
[LCBX4-38H-L](#)

For any questions, you can email us directly:

[sales@integrated-circuit.com](mailto:sales@integrated-circuit.com)

THIS COPY IS PROVIDED ON A RESTRICTED BASIS AND IS NOT TO BE USED IN ANY WAY DETRIMENTAL TO THE INTERESTS OF PANDUIT CORP.

|  |  |
|--|--|
| Material                                       | High Conductivity Seamless Copper Tube   |
| Plating  | Electro-Tin  |
| Wire Size                                      | 4 STR/FLEX   |
| Wire Type                                      | Stranded Copper: Class B & C Compact, Class G, H, I, K, M, Locomotive (*Locomotive only)   |
| Wire Strip Length                              | 1-1/8 in.  |
| Stud Size                                      | 3/8 in.  |
| UL Listed Wire Connector                       | Yes, for applications up to 35kv. Consult cable manufacturer for voltage stress relief instructions with applications greater than 2000 volts. |
| UL Temperature Rating                          | 90 ° C   |
| C.S.A Certified Wire Connector                 | Yes  |
| Panduit Color Code on Barrel                   | GRAY   |
| Panduit Die Index No. on Barrel                | P29  |
| Alternate Industry Die Index No. ( ) on Barrel | (8)  |



CERTIFIED

LISTED  
Wire Connector

**PANDUIT CORP. TINLEY PARK, ILLINOIS**

LCBX4-38H-L

Copper Lug - One-Hole, Long Flex Barrel, 45° Angle Tongue

| 03  | 1/05 | JHNU | TLCO | PANDUIT REPLACED WIRE RANGE ON BARREL MARKING | 12412 |
|-----|------|------|------|---|-------|
| REV | DATE | BY   | CHK  | DESCRIPTION                                   | ECN   |

SCALE  
N/A

DRAWING NO / CAD FILE

LCBX4-38H-CUST