

Excellent Integrated System Limited

Stocking Distributor

Click to view price, real time Inventory, Delivery & Lifecycle Information:

[Panduit](#)

[LCC1/0-12DW-X](#)

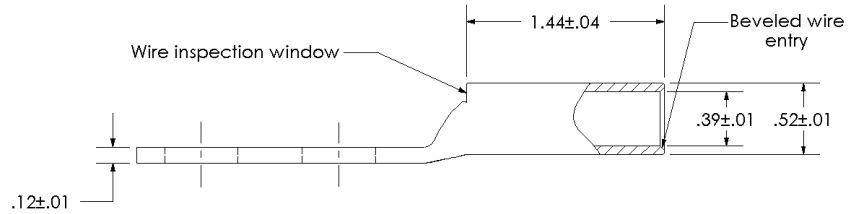
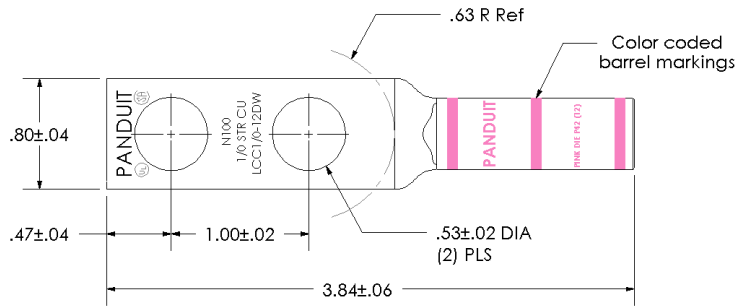
For any questions, you can email us directly:

sales@integrated-circuit.com



THIS COPY IS PROVIDED ON A RESTRICTED BASIS AND IS NOT TO BE USED IN ANY WAY DETRIMENTAL TO THE INTERESTS OF PANDUIT CORP.

| | |
|--|--|
| Material | High Conductivity Seamless Copper Tube |
| Plating | Electro-Tin |
| Wire Size | 1/0 AWG |
| Wire Type | Stranded Copper; Class B: Compact, Compressed or Concentric, Class C: Concentric |
| Wire Strip Length | 1-1/2 in. |
| Stud Size | 1/2 in. |
| UL Listed Wire Connector | Yes, for applications up to 35kv. Consult cable manufacturer for voltage stress relief instructions with applications greater than 2000 volts. |
| UL Temperature Rating | 90 ° C |
| C.S.A Certified Wire Connector | Yes |
| Panduit Color Code on Barrel | PINK |
| Panduit Die Index No. on Barrel | P42 |
| Alternate Industry Die Index No. () on Barrel | (12) |



PANDUIT CORP. TINLEY PARK, ILLINOIS

LCC1/0-12DW-X
 Copper Lug - Two-Hole, Long Barrel with Window

| 00 | 9/02 | SAB | DRL | RELEASED | 10340 | SCALE | N/A | DRAWING NO / CAD FILE | LCC1_0-12DW-CUST |
|-----|------|-----|-----|-------------|-------|-------|-----|-----------------------|------------------|
| REV | DATE | BY | CHK | DESCRIPTION | ECN | SCALE | N/A | DRAWING NO / CAD FILE | LCC1_0-12DW-CUST |