

Excellent Integrated System Limited

Stocking Distributor

Click to view price, real time Inventory, Delivery & Lifecycle Information:

[Panduit](#)

[LCCF6-14AH-L](#)

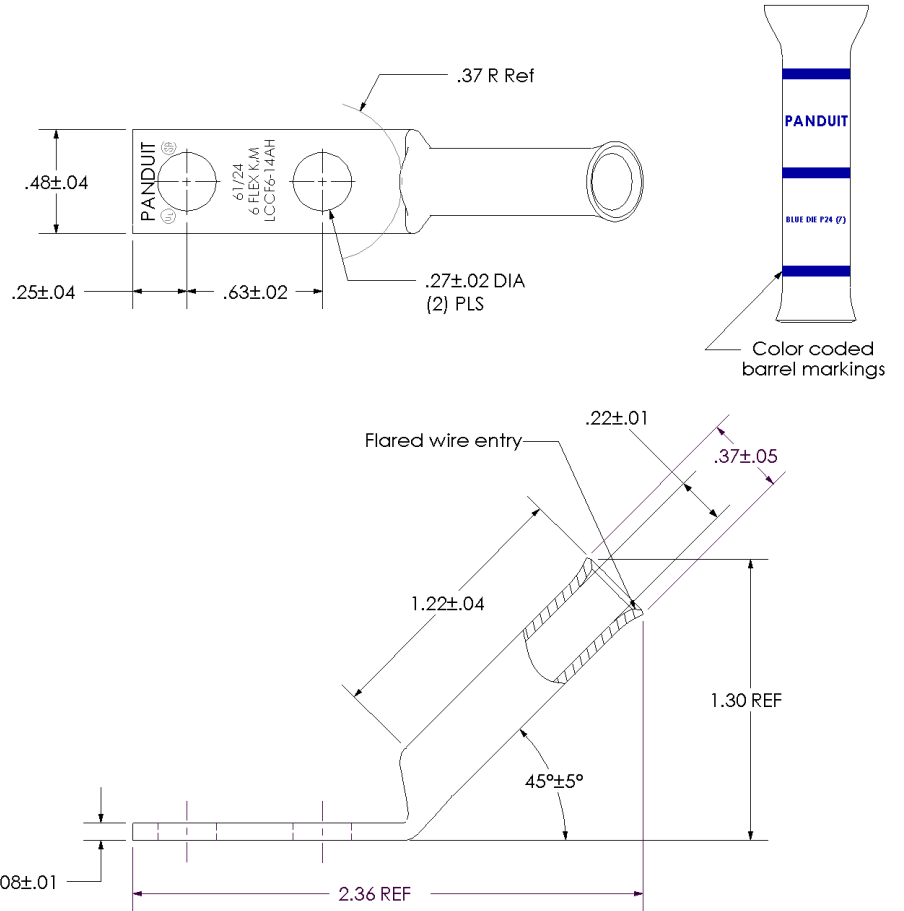
For any questions, you can email us directly:

sales@integrated-circuit.com



THIS COPY IS PROVIDED ON A RESTRICTED BASIS AND IS NOT TO BE USED IN ANY WAY DETRIMENTAL TO THE INTERESTS OF PANDUIT CORP.

Material	High Conductivity Seamless Copper Tube
Plating	Electro-Tin
Wire Size & Type	Stranded Copper Flex Cable; 6 AWG (61/24) Diesel Locomotive, 6 AWG FLEX K,M Class K & Class M
Wire Strip Length	1-5/16 in.
Stud Size	1/4 in.
UL Listed Wire Connector	Yes, for applications up to 35kv. Consult cable manufacturer for voltage stress relief instructions with applications greater than 2000 volts.
UL Temperature Rating	90° C
C.S.A Certified Wire Connector	Yes
Panduit Color Code on Barrel	BLUE
Panduit Die Index No. on Barrel	P24
Alternate Industry Die Index No. () on Barrel	(7)



REV	DATE	BY	CHK	DESCRIPTION	ECN
00	8/02	SAB	DRL	RELEASED	10337

PANDUIT CORP. TINLEY PARK, ILLINOIS

LCCF6-14AH-L
 Copper Lug - Two-Hole, Flared Barrel, 45° Angle Tongue
 SCALE N/A
 DRAWING NO / CAD FILE LCCF6-14AH-CUST