

## Excellent Integrated System Limited

Stocking Distributor

Click to view price, real time Inventory, Delivery & Lifecycle Information:

[Panduit](#)

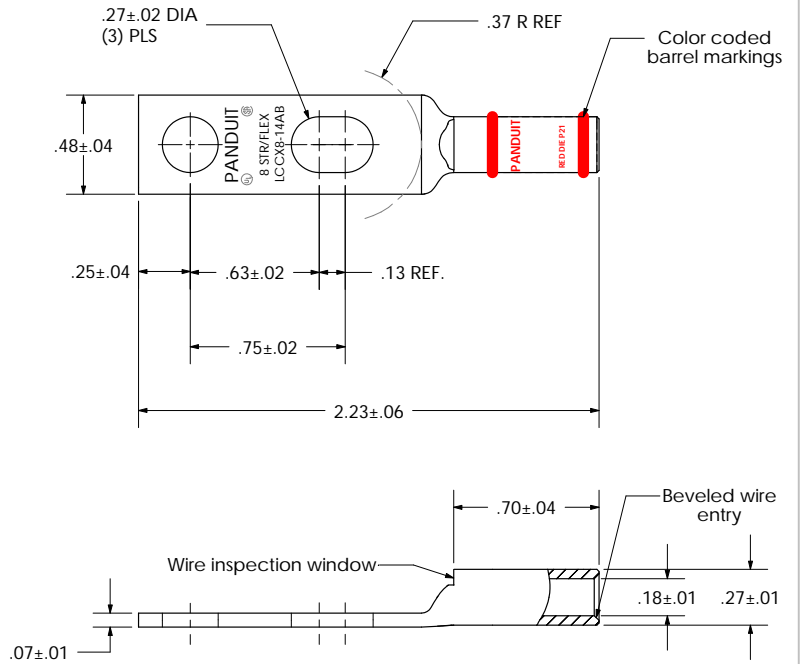
[LCCX8-14AB-L](#)

For any questions, you can email us directly:

[sales@integrated-circuit.com](mailto:sales@integrated-circuit.com)

THIS COPY IS PROVIDED ON A RESTRICTED BASIS AND IS NOT TO BE USED IN ANY WAY DETRIMENTAL TO THE INTERESTS OF PANDUIT CORP.

Material	High Conductivity Seamless Copper Tube
Plating	Electro-Tin
Wire Size	8 STR/FLEX
Wire Type	Stranded Copper: Class B & C Compact, Class G, H, I, K, M, Locomotive
Wire Strip Length	3/4 in.
Stud Size	1/4 in.
UL Listed Wire Connector	Yes, for applications up to 35kv. Consult cable manufacturer for voltage stress relief instructions with applications greater than 2000 volts.
UL Temperature Rating	90 ° C
C.S.A Certified Wire Connector	Yes
Panduit Color Code on Barrel	RED
Panduit Die Index No. on Barrel	P21
Alternate Industry Die Index No. ( ) on Barrel	N/A



				<b>PANDUIT CORP. TINLEY PARK, ILLINOIS</b>	
				LCCX8-14AB-L Copper Lug - Slotted Two-Hole, Long Flex Barrel with Window	
00	1/05	JHNUCSH	RELEASED	12394	
REV	DATE	BY	CHK	DESCRIPTION	ECN
					SCALE N/A
				DRAWING NO / CAD FILE LCCX8-14AB-CUST	