

Excellent Integrated System Limited

Stocking Distributor

Click to view price, real time Inventory, Delivery & Lifecycle Information:

[Panduit](#)

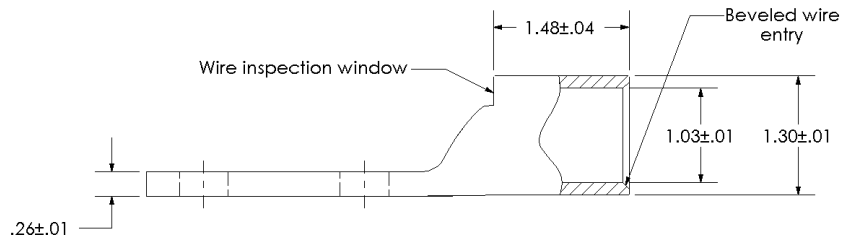
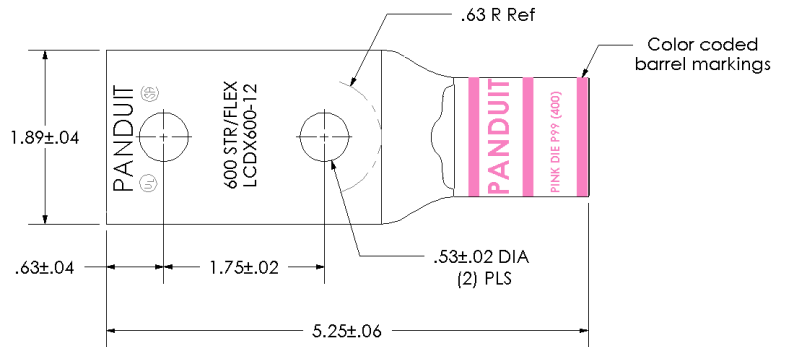
[LCDX600-12-6](#)

For any questions, you can email us directly:

sales@integrated-circuit.com

THIS COPY IS PROVIDED ON A RESTRICTED BASIS AND IS NOT TO BE USED IN ANY WAY DETRIMENTAL TO THE INTERESTS OF PANDUIT CORP.

| | |
|--|--|
| Material | High Conductivity Seamless Copper Tube |
| Plating | Electro-Tin |
| Wire Size | 600 STR/FLEX |
| Wire Type | Stranded Copper: Class G, H, I |
| Wire Strip Length | 1-9/16 in. |
| Stud Size | 1/2 in. |
| UL Listed Wire Connector | Yes, for applications up to 35kv. Consult cable manufacturer for voltage stress relief instructions with applications greater than 2000 volts. |
| UL Temperature Rating | 90 ° C |
| C.S.A Certified Wire Connector | Yes |
| Panduit Color Code on Barrel | PINK |
| Panduit Die Index No. on Barrel | P99 |
| Alternate Industry Die Index No. () on Barrel | (400) |



| | | | | | |
|-----|------|-----|-----|---|-----------------------|
| | | | | PANDUIT CORP. TINLEY PARK, ILLINOIS | |
| | | | | LCDX600-12-6 Copper Lug - Two-Hole, Standard Flex Barrel | |
| 00 | 6/03 | SAC | SAC | RELEASED | 10850 |
| REV | DATE | BY | CHK | DESCRIPTION | ECN |
| | | | | | SCALE N/A |
| | | | | | DRAWING NO / CAD FILE |
| | | | | | LCDX600-12-CUST |