

Excellent Integrated System Limited

Stocking Distributor

Click to view price, real time Inventory, Delivery & Lifecycle Information:

[Panduit](#)
[PCSBMT2/0-10-2Y](#)

For any questions, you can email us directly:
sales@integrated-circuit.com

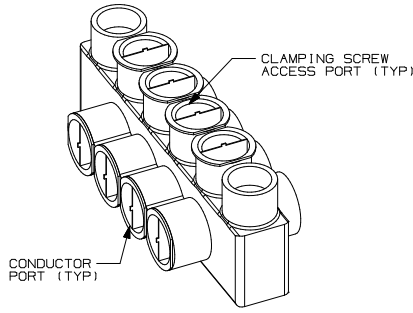
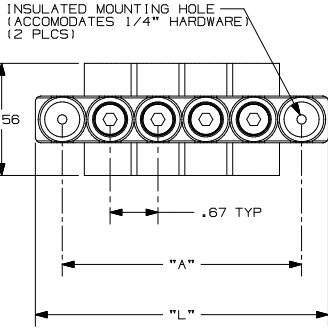


Distributor of Panduit: Excellent Integrated System Limited

Datasheet of PCSBMT2/0-10-2Y - CONN MULTI-TAP DBL SIDE CLR

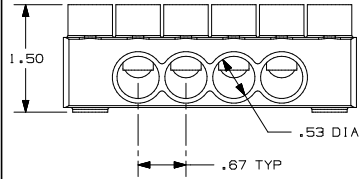
Contact us: sales@integrated-circuit.com Website: www.integrated-circuit.com

THIS DRAWING IS PROVIDED ON A RESTRICTED BASIS AND IS NOT TO BE USED IN ANY WAY DETRIMENTAL TO THE INTERESTS OF PANDUIT CORP.

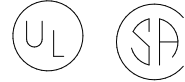


NOTES:

1. UL LISTED AND CSA CERTIFIED. DUAL RATED CULAL FOR ALUMINUM OR COPPER CONDUCTORS. MEETS OR EXCEEDS ANSI C119.4
2. WIRE RANGE: 2/0 - #14 AWG ONLY ONE CONDUCTOR PER PORT ALLOWED.
3. STRIP LENGTH: .63 +/- .06/-0
4. HEX KEY SIZE: 3/16", TIGHTENING TORQUE 120 IN-LB.
5. VOLTAGE RATING: 600 V. MAX.
6. TEMPERATURE RATING: 90° C.
7. CONNECTOR BLOCK BODY IS MADE FROM ALUMINUM. CLAMPING SCREWS ARE TIN PLATED. PORTS IN CONNECTOR BLOCK ARE PREFILLED WITH AN OXIDE INHIBITING COMPOUND.
8. INSULATION MATERIAL IS CLEAR PVC.
9. CLAMPING SCREW ACCESS PORTS AND ALL CONDUCTOR ENTRY PORTS ARE PROVIDED WITH REMOVABLE PLASTIC CLOSURE PLUGS.
10. ALL DIMENSIONS SHOWN ARE NOMINAL.
11. PACKAGE QTY: -3 = 3 PCS
-2 = 2 PCS
-1 = 1 PCS
12. THIS PART IS ROHS COMPLIANT.



PART NUMBER	# CONDUCTOR PORTS	DIM "L"	DIM "A"
PCSBMT2/0-4-3Y	4	4.20	3.00
PCSBMT2/0-6-2Y	6	5.55	4.70
PCSBMT2/0-8-2Y	8	6.89	6.05
PCSBMT2/0-10-2Y	10	8.24	7.39
PCSBMT2/0-12-1Y	12	9.58	8.74



C41532_00

PANDUIT		CORP.		TINLEY PARK, ILLINOIS	
MULTI-TAP INSULATED CONNECTORS					
WITH MOUNTING HOLES					
PCSBMT 2/0 DOUBLE SIDED SERIES					
DRWN BY	JHNU	CHK'D		SCALE	N/A
DRAWING NO.	C41532				

REV	DATE	BY	CHK	DESCRIPTION	ECN #	CUST	PM
00	3/08	JHNU	LEM	DRAWING RELEASED - ROHS COMPLIANT	PC00353		