

Excellent Integrated System Limited

Stocking Distributor

Click to view price, real time Inventory, Delivery & Lifecycle Information:

[Panduit](#)
[PCSBMT250-4S-2Y](#)

For any questions, you can email us directly:
sales@integrated-circuit.com

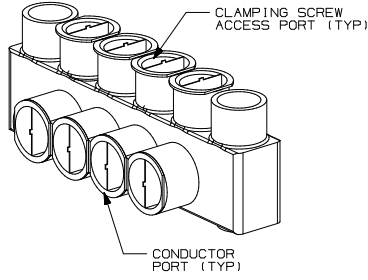
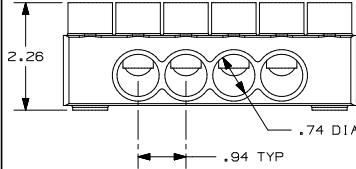
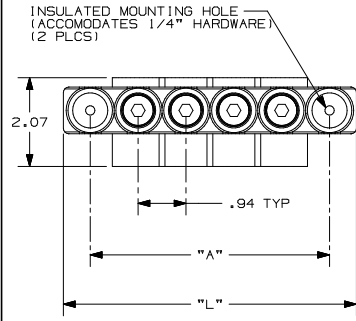


Distributor of Panduit: Excellent Integrated System Limited

Datasheet of PCSBMT250-4S-2Y - CONN MULTI-TAP SNGL SIDE CLR

Contact us: sales@integrated-circuit.com Website: www.integrated-circuit.com

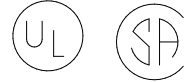
THIS COPY IS PROVIDED ON A RESTRICTED BASIS AND IS NOT TO BE USED IN ANY WAY DETRIMENTAL TO THE INTERESTS OF PANDUIT CORP.



NOTES:

1. UL LISTED AND CSA CERTIFIED. DUAL RATED CS9AL FOR ALUMINUM OR COPPER CONDUCTORS. MEETS OR EXCEEDS ANSI C119.4
2. WIRE RANGE: 250 kcmil - #10 AWG. ONLY ONE CONDUCTOR PER PORT ALLOWED.
3. STRIP LENGTH: .94 +.06/-0
4. HEX KEY SIZE: 5/16", TIGHTENING TORQUE 275 IN-LB.
5. VOLTAGE RATING: 600 V. MAX.
6. TEMPERATURE RATING: 90° C.
7. CONNECTOR IS MADE FROM ALUMINUM. CLAMPING SCREWS ARE TIN PLATED. PORTS IN CONNECTOR BLOCK ARE PREFILLED WITH AN OXIDE-INHIBITING COMPOUND.
8. INSULATION MATERIAL IS CLEAR PVC.
9. CLAMPING SCREW ACCESS PORTS AND ALL CONDUCTOR ENTRY PORTS ARE PROVIDED WITH REMOVABLE PLASTIC CLOSURE PLUGS.
10. ALL DIMENSIONS SHOWN ARE NOMINAL.
11. PACKAGE QTY: -2 = 2 PCS
-1 = 1 PCS
12. THIS PART IS ROHS COMPLIANT.

PART NUMBER	# CONDUCTOR PORTS	DIM "L"	DIM "A"
PCSBMT250-4S-2Y	4	5.78	4.69
PCSBMT250-6S-2Y	6	7.66	6.57
PCSBMT250-8S-2Y	8	9.53	8.44
PCSBMT250-10S-2Y	10	11.41	10.32
PCSBMT250-12S-1Y	12	13.29	12.19



C41535_00

REV	DATE	BY	CHK	DESCRIPTION	ECN #	CUST	PM
00	3/06	JHNU	LEM	DRAWING RELEASED - ROHS COMPLIANT	PC00353		

PANDUIT CORP. TINLEY PARK, ILLINOIS

MULTI-TAP INSULATED CONNECTORS WITH MOUNTING HOLES
PCSBMT 250 SINGLE SIDED SERIES

DRAWN BY: JHNU DATE: SCALE: N/A DRAWING NO.: C41535