

Excellent Integrated System Limited

Stocking Distributor

Click to view price, real time Inventory, Delivery & Lifecycle Information:

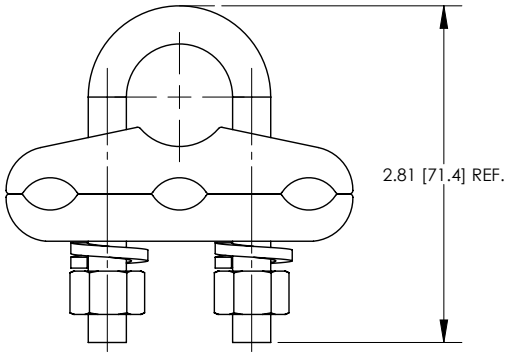
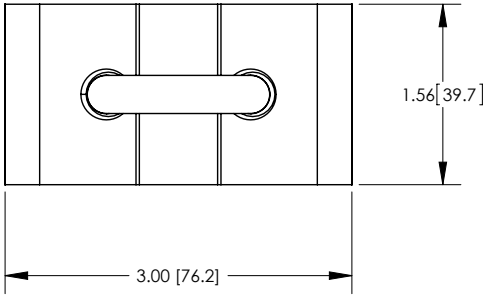
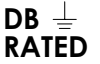
[Panduit](#)
[GPC3250-38-X](#)

For any questions, you can email us directly:
sales@integrated-circuit.com

THIS COPY IS PROVIDED ON A RESTRICTED BASIS AND IS NOT TO BE USED IN ANY WAY DETRIMENTAL TO THE INTERESTS OF PANDUIT CORP.

NOTES:

- MATERIAL:
 BODY: BRONZE (GUN METAL)
 NUT/WASHER: PHOS. BRONZE
- PARTS ARE cULus LISTED TO UL467 AS
 GROUNDING & BONDING EQUIPMENT
- RATED FOR DIRECT BURIAL
- DIMENSIONS IN PARENTHESIS ARE MILLIMETERS.
- PACKAGING QTY:
 X = 10



PART NUMBER	DESCRIPTION	WIRE RANGE	PIPE SIZE	ROD SIZE
GPC3250-38-X	GROUND CLAMP CONNECTOR	2/0 SOL - 250 kcmil	3/8"	5/8" - 3/4"

REV	DATE	BY	CHK	APR	DESCRIPTION	ECN	TITLE	ITEM REVISION NAME	DATASET FILE NAME	MATERIAL	DRAWING NUMBER	SIZE	
00	9/13	JHNU	SRBI	RGB	DRAWING RELEASED	13J051AA-JC	GROUND CLAMP (GPC3250-38-X) CUSTOMER DRAWING	13J051AA/00	13J051AA-JC/00.SLDDRW	UNLESS OTHERWISE SPECIFIED, DIMENSIONAL TOLERANCES ARE: IN [mm] .X ± .XXX ± .XX ± .2 [5.2] ANGLES ±	SEE NOTES	13J051AA-JC	A
							THIRD ANGLE PROJECTION						
							DRAWN BY JHNU	DATE 9/13	CHK SRBI	SCALE NONE	SHEET 1 OF 1		