

## Excellent Integrated System Limited

Stocking Distributor

Click to view price, real time Inventory, Delivery & Lifecycle Information:

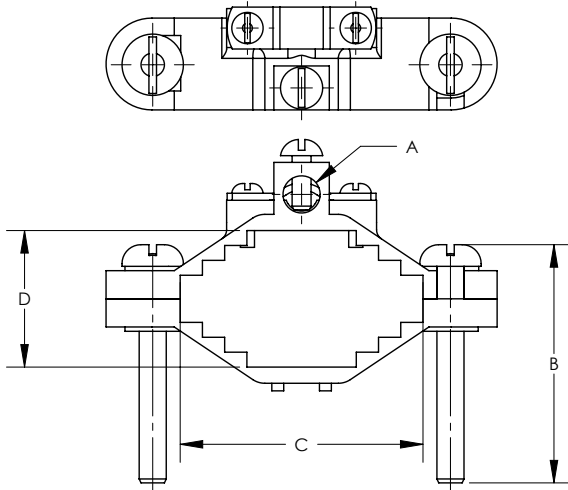
[Panduit](#)  
[GPCA2-2-L](#)

For any questions, you can email us directly:  
[sales@integrated-circuit.com](mailto:sales@integrated-circuit.com)

THIS COPY IS PROVIDED ON A RESTRICTED BASIS AND IS NOT TO BE USED IN ANY WAY DETRIMENTAL TO THE INTERESTS OF PANDUIT CORP.

NOTES:

- MATERIAL:  
BODY - BRONZE (GUN METAL)  
SCREW - STEEL, ZINC PLATED
- PARTS ARE cULus LISTED TO UL467 AS  
GROUNDING & BONDING EQUIPMENT.
- SEE WWW.PANDUIT.COM FOR PART NUMBER  
SUFFIX DESIGNATION FOR PACKAGE SIZE.



PART NUMBER	DESCRIPTION	WATER PIPE	GROUNDING WIRE	DIMENSIONS IN [mm] +/- .05 [1.3]			
				A	B	C	D
GPCA2-2	GROUND CLAMP FOR ARMORED CABLE	1-1/4" - 2"	8 - 4 STR	.33 [8.4]	2.22 [56.4]	2.22 [56.4]	1.19 [30.2]
GPCA2-4	GROUND CLAMP FOR ARMORED CABLE	2-1/2" - 4"	8 - 4 STR	.33 [8.4]	4.25 [108.0]	3.83 [97.3]	2.70 [68.6]
GPCA2-6	GROUND CLAMP FOR ARMORED CABLE	4-1/2" - 6"	8 - 4 STR	.33 [8.4]	5.20 [132.1]	5.96 [151.4]	4.50 [114.3]

REV	DATE	BY	CHK	APR	DESCRIPTION	ECN
00	7/12	JHNU	SRBI	RGB	DRAWING RELEASED	10J018AH-JC

TITLE <b>BRONZE GROUND PIPE CLAMP CUSTOMER DRAWING</b>	
ITEM REVISION NAME 10J018AH/00	
DATASET FILE NAME 10J018AH-JC/00.SLDDRW	
UNLESS OTHERWISE SPECIFIED, DIMENSIONAL TOLERANCES ARE: IN [mm] .X ± .XXX ± .XX ± ANGLES ±	
THIRD ANGLE PROJECTION	
DRAWN BY JHNU	DATE 7/12
CHK SRBI	SCALE N/A
DRAWING NUMBER 10J018AH-JC	
SHEET 1 OF 1	
SIZE A	

REV	DATE	BY	CHK	APR	DESCRIPTION	ECN
00	7/12	JHNU	SRBI	RGB	DRAWING RELEASED	10J018AH-JC