

Excellent Integrated System Limited

Stocking Distributor

Click to view price, real time Inventory, Delivery & Lifecycle Information:

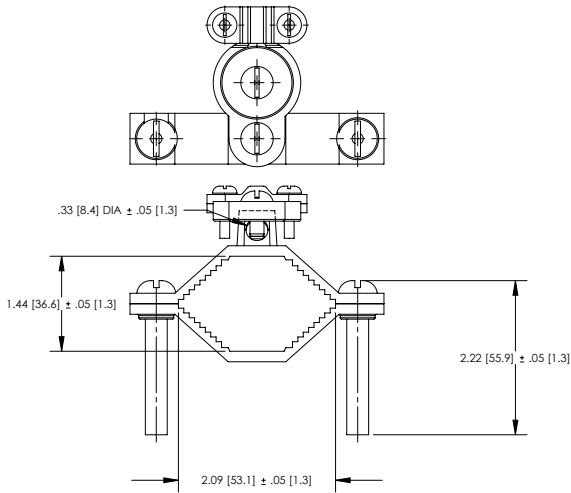
[Panduit](#)
[GPCW6-2-12-Q](#)

For any questions, you can email us directly:
sales@integrated-circuit.com

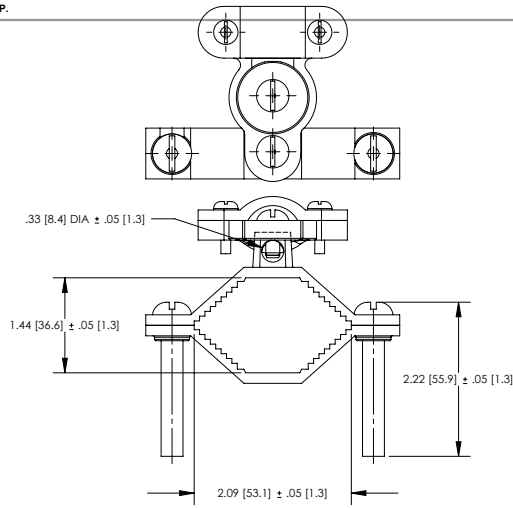
THIS COPY IS PROVIDED ON A RESTRICTED BASIS AND IS NOT TO BE USED IN ANY WAY DETRIMENTAL TO THE INTERESTS OF PANDUIT CORP.

NOTES:

1. MATERIAL:
BODY - BRONZE (GUN METAL)
SCREW - STEEL, ZINC PLATED
2. PARTS ARE cULus LISTED TO UL467 AS
GROUNDING & BONDING EQUIPMENT.
3. SEE WWW.PANDUIT.COM FOR PART NUMBER
SUFFIX DESIGNATION FOR PACKAGE SIZE.



GPCWA6-2
BRONZE GROUND CLAMP - 1-1/4"-2"
WITH SWIVEL FOR ARMORED CABLE



RGPCW6-2-12
BRONZE GROUND CLAMP - 1-1/4"-2"
WITH HUB FOR EMT CONDUIT 1/2" & 3/4"
OR 1/2" RIGID CONDUIT

FINISHED PART NUMBER	DESCRIPTION	WATER PIPE	GROUNDING WIRE
GPCWA6-2	GROUND CLAMP BARE WIRE WITH STEEL SCREWS ARMORED CABLE 360 DEG. SWIVEL TYPE	1-1/4" - 2"	10 - 6 STR
GPCW6-2-12	GROUND CLAMP BARE WIRE STEEL SCREWS WITH HUB	1-1/4" - 2"	10 - 6 STR

REV	DATE	BY	CHK	APR	DESCRIPTION	ECN	TITLE	ITEM REVISION NAME	DATASET FILE NAME	MATERIAL	DRAWING NUMBER	SIZE
00	7/12	JHNU	SRBI	RGB	DRAWING RELEASED	10J018AN-JC	BRONZE GROUND PIPE CLAMP - 1-1/4" - 2" CUSTOMER DRAWING	10J018AN/00	10J018AN-JC/00.SLDDRW	SEE NOTES	10J018AN-JC	B
							UNLESS OTHERWISE SPECIFIED, DIMENSIONAL TOLERANCES ARE: IN [mm] .X ± .XX ± .XX ± .XX ± ANGLES ±	THIRD ANGLE PROJECTION	SCALE: N/A	SHEET 1 OF 1		